



# EOS Herkules S25

## Sauna heater for domestic and commercial saunas. Floor-standing model.

Exclusive sauna heater for the dry Finnish sauna in distinctive cubistic straight-lined design with the brushed stainless steel front and anthracite pearl-effect side finish.

Thanks to the flat rear wall with the recessed terminal box this sauna heater is ideal for installation in front of glass panels. Herkules S25 can be alternatively selected as a model with the integrated vaporizer.

### Your advantages:

- Exclusive design with brushed stainless steel front and anthracite pearl effect coated side panels
- Durable, long-lasting construction, all made of stainless steel
- Also available with elegant matt black finish
- Large 25 kg rock store for optimal heat storage and effective water evaporation
- No direct contact between stones and heating elements – for improved air convection and easy service
- Slim, space-saving construction – only 40 x 38,5 cm footprint
- Made in Germany quality from EOS

### Specifications:

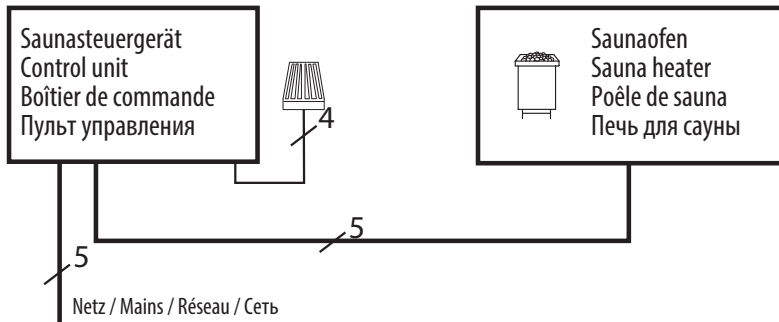
Outer shell:	Stainless steel, with anthracite pearl-effect finish or matt black finish
Front:	Brushed stainless steel
Inner shell:	Stainless steel
Rock store:	Stainless steel, above heating elements
Terminal box:	Stainless steel, recessed in rear wall
Power range:	7.5 and 9.0 kW
Power supply:	400 V 3N ~ 50 Hz
Dimensions:	75 x 40,5 x 38,5 cm
Stone filling:	25 kg (Sauna stones optional)
Installation:	Floor-standing



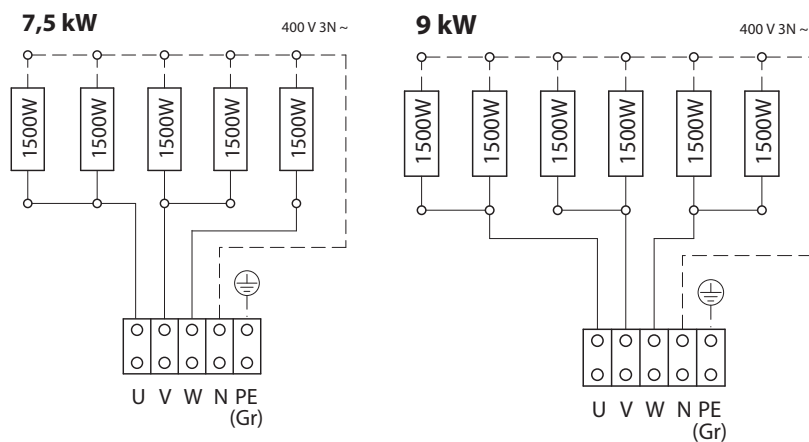
Also available with elegant matt black finish. White quartz stones optionally available.

## Connection overview

7,5 - 9,0 kW



## Inner wiring

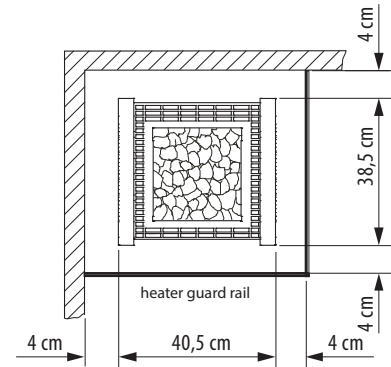


## Technical specifications

Power	Electrical connection	Connection mains - control unit	Connection control unit - heater
7.5 kW	400 V 3N ~ 50 Hz	5 x 2.5 mm <sup>2</sup>	5 x 1.5 mm <sup>2</sup>
9.0 kW			

All cross sections of connection cables are minimum diameters in mm<sup>2</sup> (copper wire).

## Minimum clearances



Minimal inner sauna cabin height 190 cm.

## Suitable control units

### Model

EOS Compact D series

EOS EmoTec D series

EOS EmoStyle D / Hi series

EOS EmoTouch 3 series

## Spare heating elements

Description	Item no.
For 7.5 kW (5 x 1500 W)	2000 8085
For 9.0 kW (6 x 1500 W)	2000 8085

Item no.	Power	Fuse protection control unit	Fuse protection LSG unit	Dimensions H/W/D, in cm	For sauna cabin size	Min. size air inlet and outlet	Weight without rocks	Stone filling	Power extension required
94 4326 / 94 7250*	7.5 kW	3 x 16 A	3 x 16 A	75 / 40,5 / 38,5	8 - 12 m <sup>3</sup>	35 x 5 cm	25,5 kg	25 kg	no
94 4327 / 94 7237*	9.0 kW				10 - 14 m <sup>3</sup>	35 x 6 cm			

\*matt black finish