



Technical data sheet

LSG 10

Power extension relay box for sauna control units

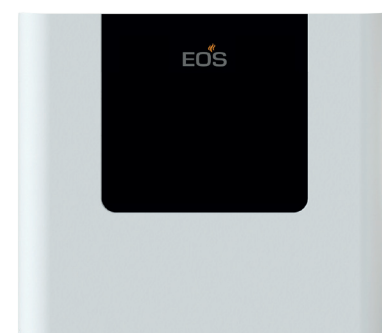
Relay boxes with 10 kW switching capacity for power extension of sauna control units. Available in several designs to match the current EOS sauna control systems. Suitable for commercial and residential use.

Your advantages:

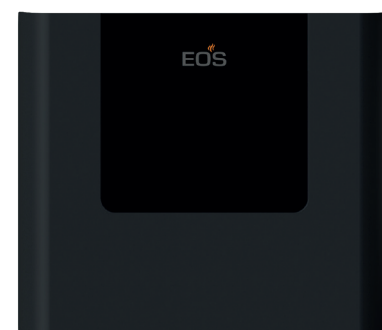
- Compact, place-saving construction.
- Modern, elegant design to match the current EOS sauna control systems of the EOS Compact, EmoTec, EmoStyle and EmoTouch series
- Choice of three designs:
 - LSG 10 CW - to match Compact white models
 - LSG 10 CA - to match Compact anthracite models
 - LSG 10 ET - to match EmoTec, EmoStyle, EmoTouch
- Simple, easy installation. Cable connection at the bottom or at the rear side of the unit.
- Made in Germany quality by EOS

Specifications and features:

Housing:	Plastic, white or anthracite design
Dimensions (HxWxD):	LSG 10 CW/CA 220 x 255 x 65 mm LSG 10 ET 270 x 195 x 100 mm
Switching capacity:	10 kW
Power supply:	400 V 3N ~ 50 Hz
Installation:	Compact CW / CA - wall-mounting or semi-recessed installation, LSG 10 ET - wall-mounting installation.



LSG 10 CW



LSG 10 CA



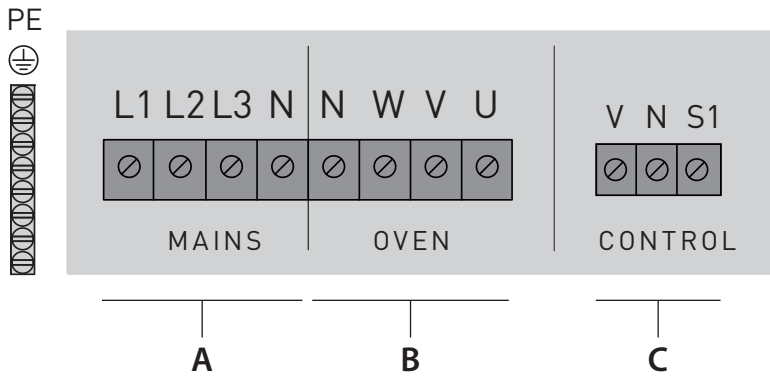
LSG 10 ET





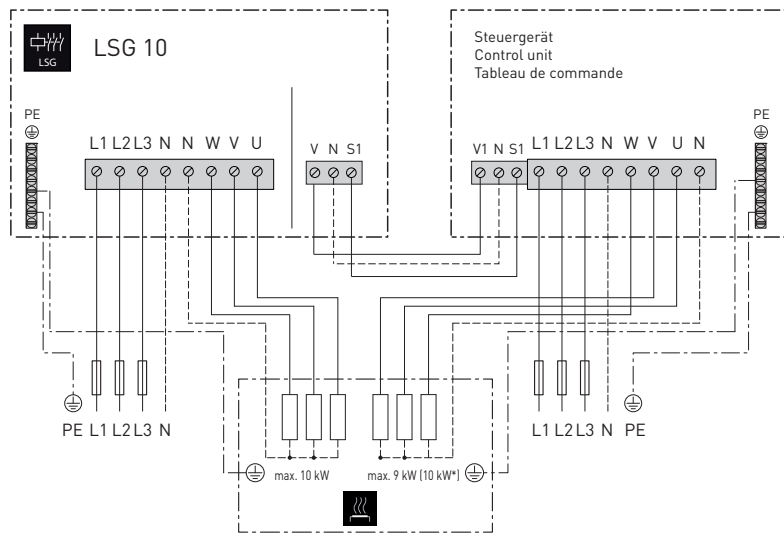
 MADE IN GERMANY 

Connection diagram (terminal layout)



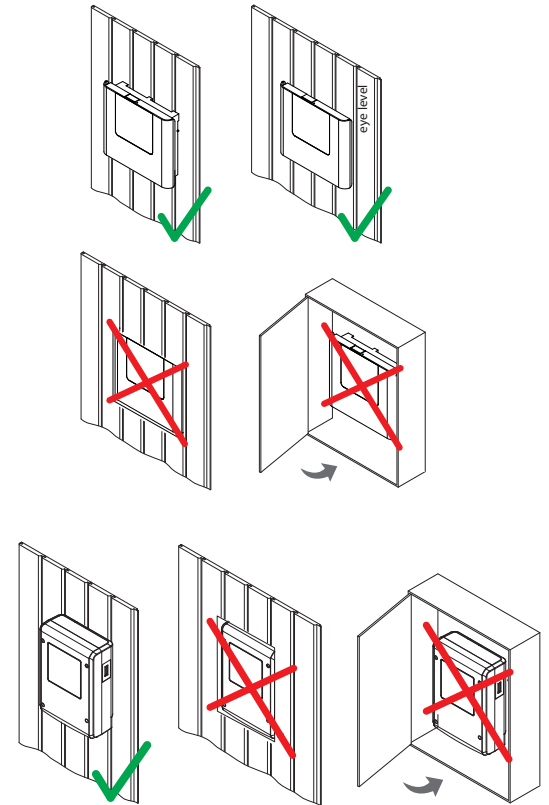
- A. Mains connection
- B. Sauna heater connection
- C. Control unit connection

Connection example



Notice: Control unit shows only the terminals relevant for this installation.
 * 10 kW - for EOS Compact DP, HP, DC, HC

Installation



Do not install in closed boxes or compartments completely panelled with wood.

Mounting options:

- LSG 10 CW/CA - wall-mounting or semi-recessed installation possible
- LSG 10 ET - only wall-mounting

For full details please refer to the LSG 10 installation instructions.

Technical specifications

Item no.	Model / design	Electrical connection	Switching capacity	Dimensions H x W x D	Ambient temperature in operation	Weights without packing
94 7803	LSG 10 CW (Compact white)	400 V 3N ~ 50Hz	10 kW	220 x 255 x 65 mm	-10° to +40 °C	ca. 1,2 kg
94 7802	LSG 10 CA (Compact anthracite)					
94 7805	LSG 10 ET (EmoTec anthracite)			270 x 195 x 100 mm		ca. 1,5 kg