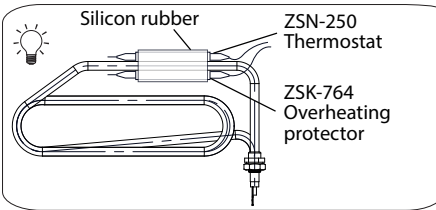


We recommend to use only the manufacturer's spare parts.



**T7C-T9C  
T7CA-T9CA**

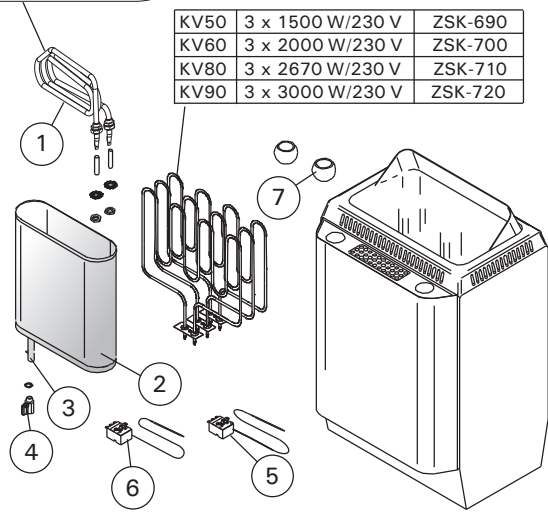
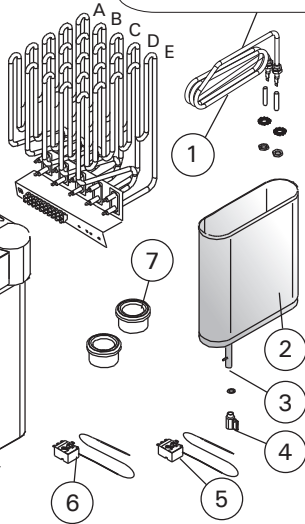
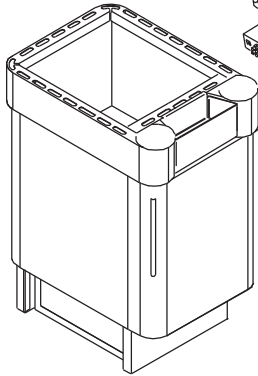
1500 W	ZSS-110
2000 W	ZSS-120

T9C: A, C, E = 2000 W  
B, D = 1500 W

T7C: B, E = 2000 W  
C, D = 1500 W

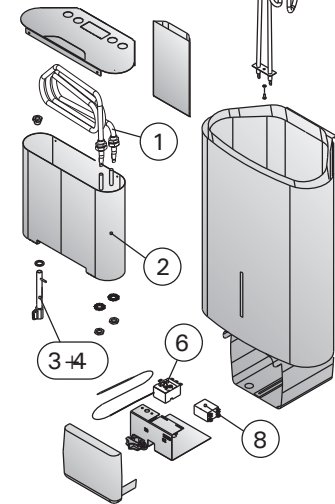
**KV50SE-KV90SE  
KV50SEA-KV90SEA**

KV50	3 x 1500 W/230 V	ZSK-690
KV60	3 x 2000 W/230 V	ZSK-700
KV80	3 x 2670 W/230 V	ZSK-710
KV90	3 x 3000 W/230 V	ZSK-720

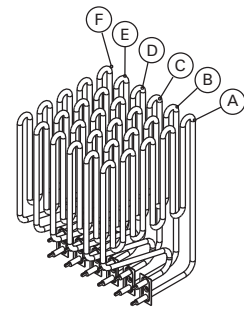
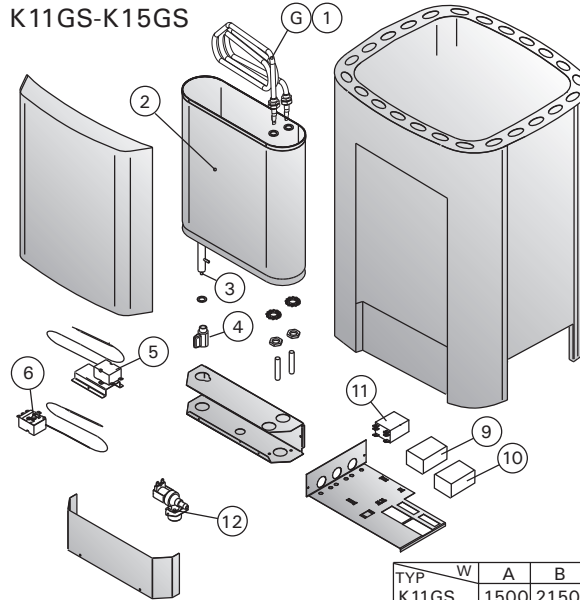


**D29SE**

2900 W ZSN-210



**K11GS-K15GS**



1500 W	ZSS-110
2000 W	ZSS-120
2150 W	ZSP-240
2500 W	ZSP-250

TYP	W	A	B	C	D	E	F	G
K11GS	1500	2150	1500	2150	1500	2150	2000	
K13.5GS	2500	2000	2500	2000	2500	2000	2000	
K15GS	2500	2500	2500	2500	2500	2500	2000	

1	Evaporator heating element, assembled	Heizelement des Verdampfers, montiert	2000 W/230 V	ZH-104	1
2	Water reservoir, assembled	Wassertank, montiert		D29SE: ZSN-242 KV50SE-KV90SE: ZSVH-6 KV50SEA-KV90SEA: ZSVH-7 T7C-T9C: ZSS-405 T7CA-T9CA: ZSS-400 K11GS-K15GS: ZSL-795B	1
3	Drain pipe, assembled	Entleerungsrohr, montiert		ZH-110	1
4	Tap	Hahn	1/4	ZH-130	1
5	Overheating protector	Überhitzungsschutz		ZSK-764	1
6	Thermostat 110 °C	Thermostat 110 °C		ZSN-250	1
7	Soapstone cup	Specksteinbecher	ø75/50 T7C-T9C ø46/36 KV50SE-KV90SE	ZSS-505 ZH-205	2 2
8	Relay K2	Relais K2		ZSF-730	1
9	Contacteur	Kontaktgeber		ZSL-940/ZSK-778	1
10	Contacteur	Kontaktgeber		ZSL-750/ZSK-778	1
11	Power relay	Leistungsrelais		ZSL-760	1
12	MG valve	Magnetventil	WI-08102/A	ZSS-610	1