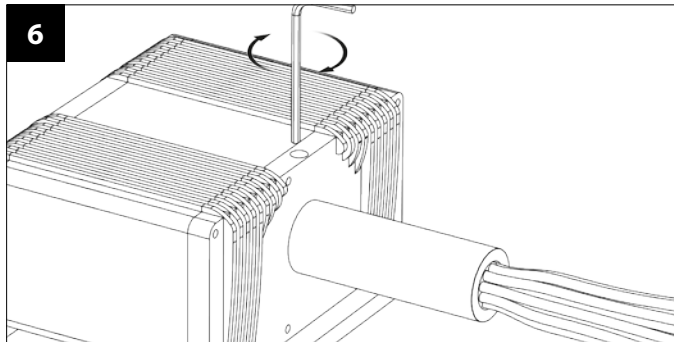
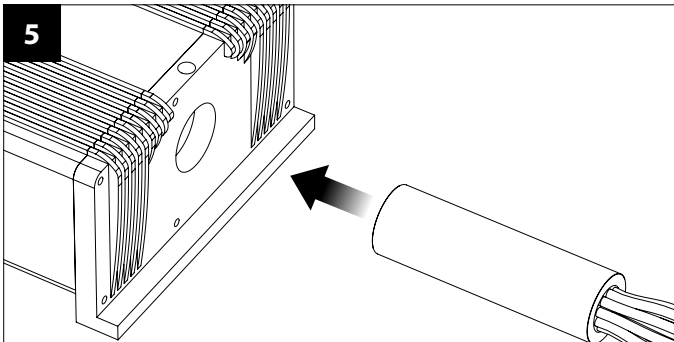
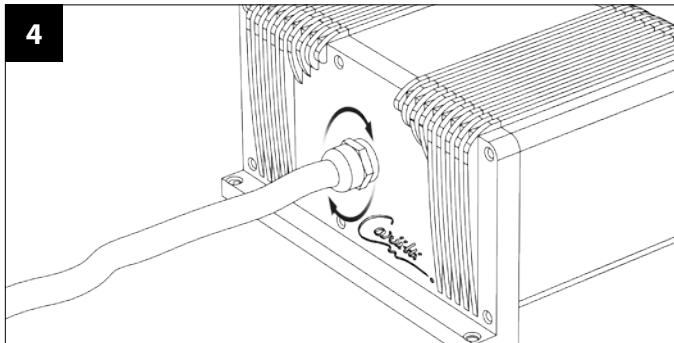
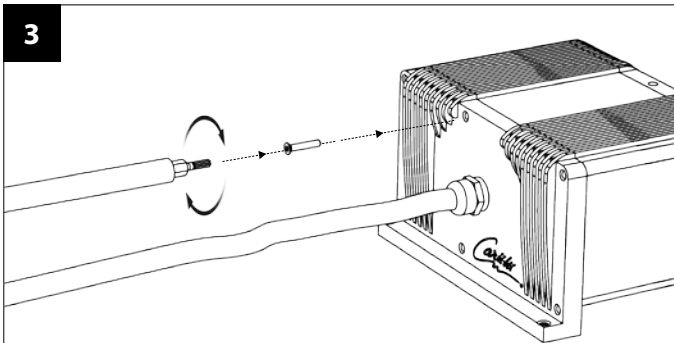
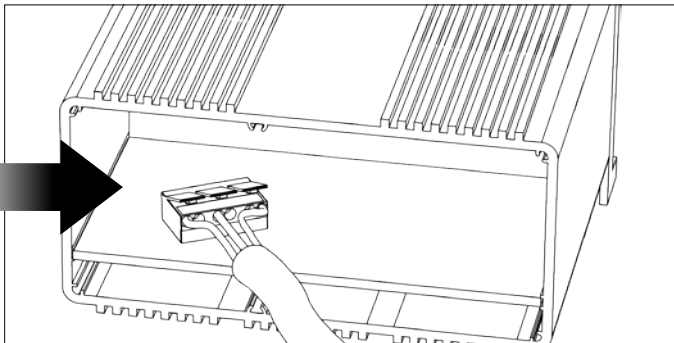
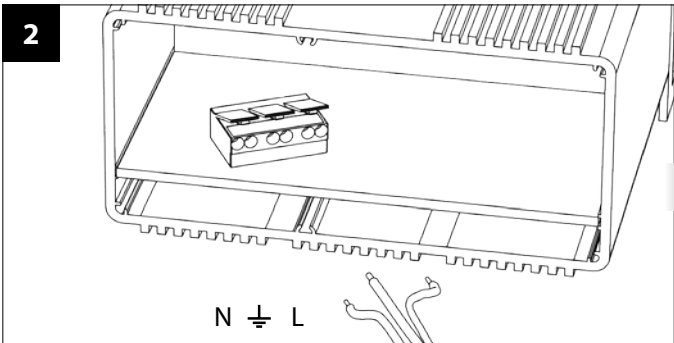


**VPAC-1527**  
**VPAC-1530**  
**VPAC-1540**

**1501780**  
**1501781**  
**1501782**



⊕ IP65 — ○ CE

*Cariitti*

Cariitti Oy

[www.cariitti.com](http://www.cariitti.com)



Subject to change.