



Bi-O Invisio

Optional additional evaporator for the under-the-bench stove series Invisio

Can be mounted on the side (left/right) on the Mini, Midi and Maxi models.

Your benefits:

- Can be mounted on the side (left/right) on the Mini, Midi and Maxi (XL) models.
- Steam exits via the steam pipe and steam exit tray in the convection shaft above the stove to ensure good distribution of the moisture in the cabin.
- The steam exit tray can be mounted as various heights.
- Made in Germany quality by EOS

Characteristics:

Tank casing made of high-quality chrome nickel steel.

Integrated dry-running protection with acoustic low water signal.

Filling via a filling funnel that can be mounted at a variable water level height in the cabin.

Emptying via a hose extension and stopcock, can be attached individually in the cabin.



Service-friendly thanks to front access to the relevant parts; for instance, the auxiliary evaporator can be dismantled without having to move the stove.

Dimensions in mm (without steam pipe) HxWxD 530 x 200 x 360. The width of the Invisio stove is therefore increased by approx. 200 mm.

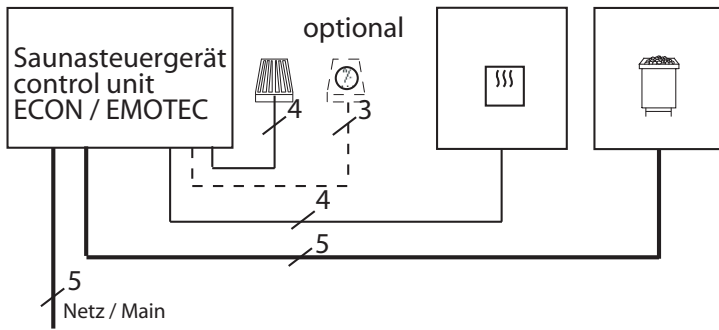
The use of a fixed water supply FWA 02 is recommended.



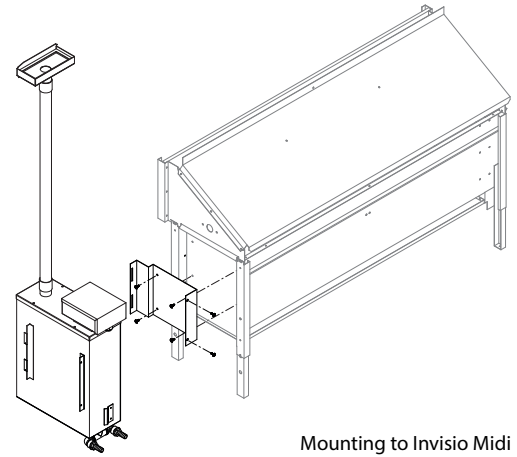
Photo: Evaporator with Invisio Midi

CE IPx4 MADE IN GERMANY 
 Technical data subject to change 

Connection diagram

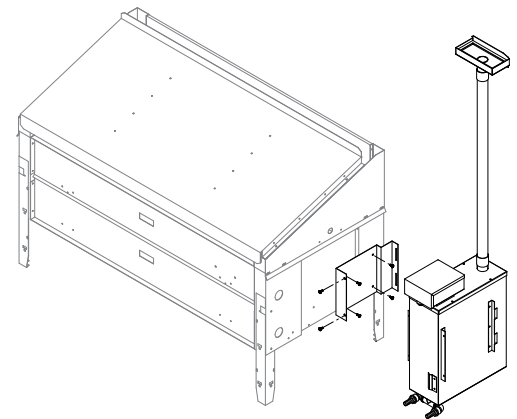
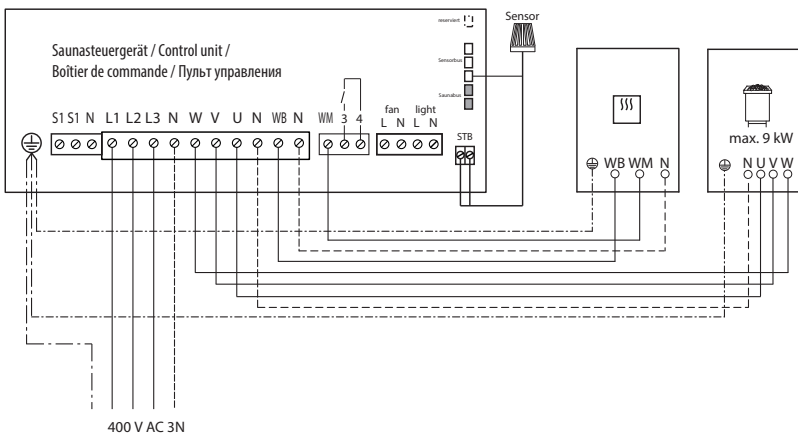


Assembly



Mounting to Invisio Midi

Connection diagram



Mounting to Invisio Maxi (XL)

Art. No.	Electr. connection	Power supply	Output	Dimensions H x W x D in cm	Filling capacity	Water pressure	to be used with the control units
94.6293 946294	230 V N AC 50Hz	4 x 1.5 mm ²	2.0 kW 3.0 kW	53 x 20 x 36 (without steam pipe)	max. 12 l	0 bar open design	ECON H1, H2, H3, H4 Emotec H EmoTouch II+

All information on cable cross-sections are minimum cross-sections in mm² copper line.