

Product Specification

NANE: Dimmer

MODEL: Dimmer Non RGB RF

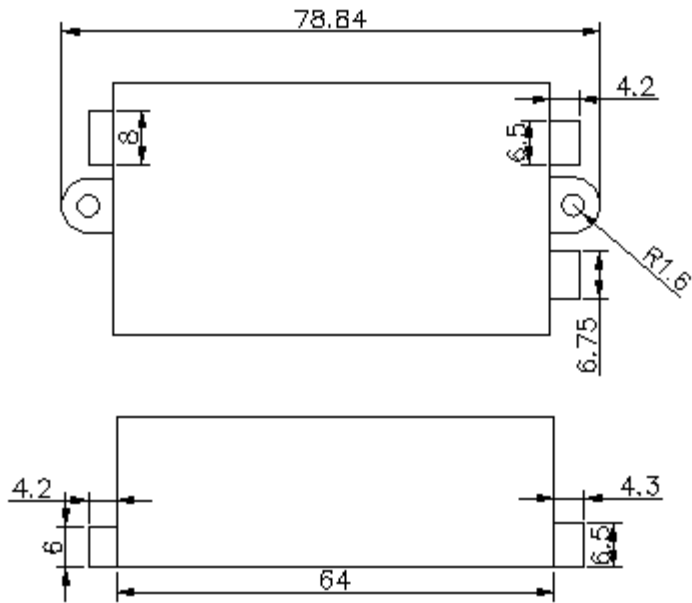


Summarization

RF dimmer is a controller that can adjust brightness infinitely, Its control mode is wireless control, you could adjust light to the appropriate lighting brightness in accordance with your actual need.

Technical parameters

- working temperature: -20-60 °C
- supply voltage: DC5V, 12V ,18V, 24V < optional > (supply voltage should be marked on order)
- output: 1 channel
- net weight: 100g
- gross weight: 130g
- external dimension: L110 X W56 X H34 mm
- packing size: L122X W85 X H42 mm
- rated load current: <8A
- output power: 5V<40W,12V<96W,24V<192W



unit:mm

Interface Specifications

Input interface:



Output interface:



Direction for use

1. Connect the load wire at first, following by the power wire; **Please ensure short circuit can not occur between connecting wire before you turn on the power;**

2. Adopt wireless control, its function as follows:

△ key is for increasing brightness,

▽ key is for reducing brightness.

Typical Applications

