

Sauna heater Herkules S25

Free standing heater

For familysaunas

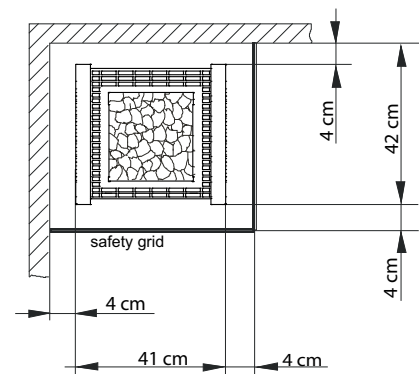
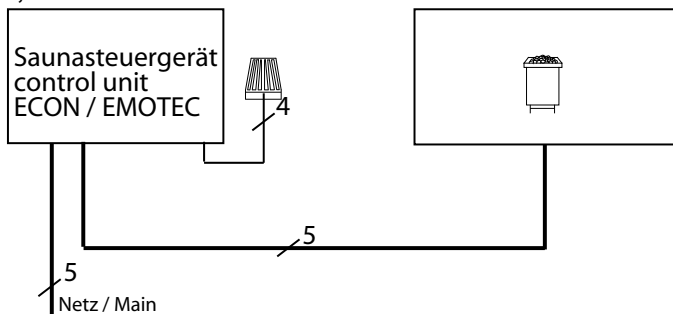
- Outer shell: The exterior design features a striking combination of straight lines, massive yet elegant steel with the raw sauna rocks.
- Terminal box: high-grade steel
- Stone filling: 25 kg incl.
- Service friendly unit assembly system
- The heating elements are mounted on a rack and may be conveniently removed without the need to remove the rocks.
- Optimised ratio of radiated heat and convection due to the appropriate amount of stones.



MADE IN GERMANY

Connection diagram

7,5 - 9 kW



Art.-No.	Outer shell	Capacity acc. DIN	Installation dimensions H/W/D cm	For cabin size	Minimum dimensions of air intake and exhaust vents	Weight without stones without package	Stone filling	Electrical. Connection	Fuse control unit in A	Connecting cable main - control unit in mm ²	Connecting cable control unit - heater in mm ²	For operation with control units
94.4326	Grinded stainless steel / anthracite	7,5 kW	75 / 41 / 38	8 - 12 m ³	35 x 5 cm *	25,5kg	25 kg	3N AC 50 Hz 400 V	3 x 16	5 x 2,5	5 x 1,5	ECON A1 ECON A2 ECON H2 EMOTEC B6000 EMOTEC DC9000 EMOTEC DC9000 DB/DL EMOTEC HCS 9003 EMOTEC HCS 9003 DB/DL
94.4327		9,0 kW		10 - 14 m ³	35 x 6 cm *							

* or in accordance with the instructions of the cabin manufacturer
All cross sections of a line are minimum diameters in mm² (Copper line)

Subject to technical modifications