



EOS Herkules XL S50

Sauna heater for commercial saunas. Floor-standing model.

Floor-standing sauna heater for the Finnish (dry) sauna. The unique double rock store ensures excellent heat storage capacity and allows frequent water infusions. The rock store is placed above the heating elements for easy servicing and improved air convection.

Your advantages:

- Durable construction. Completely made of stainless steel.
- Double rock store for excellent heat storage and powerful water infusions. With essence & herbs cup.
- Slim design, only 38,5 cm depth.
- Exclusive, rich in contrast design with brushed stainless steel front and anthracite pearl effect coated side panels.
- Also available with elegant matt black finish.
- Easy to install and to service, rock store placed above heating elements.
- Made in Germany quality from EOS.

Specifications:

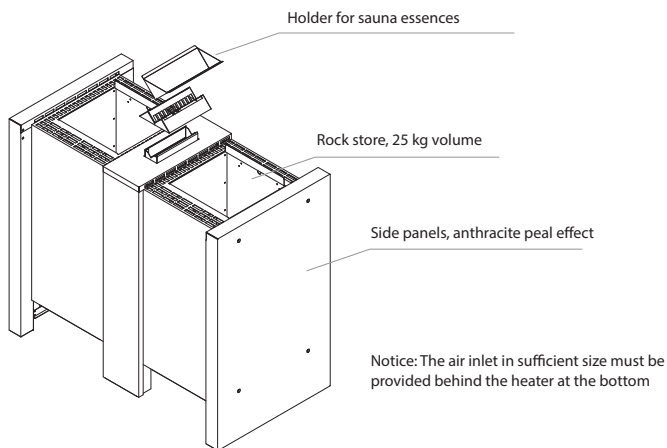
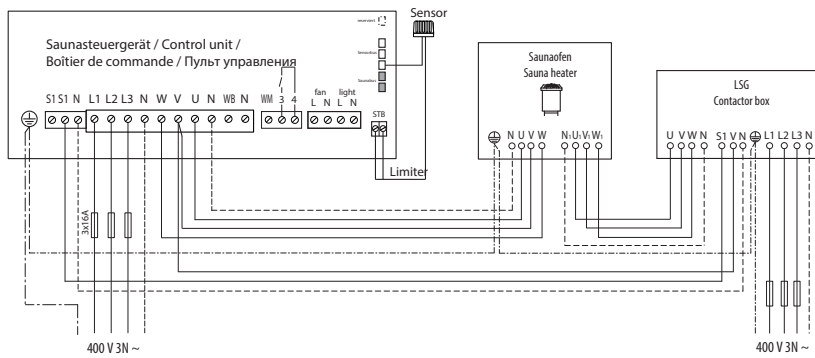
Outer shell:	Anthracite pearl effect powder coated sides, brushed stainless steel front or completely in matt black finish.
Top:	Stainless steel
Rear wall:	Stainless steel, blank polished
Rock store:	Stainless steel, above heating elements
Terminal box:	Stainless steel, recessed in rear wall
Power range:	12,0 and 15 kW
Power supply:	400 V 3N ~ 50 Hz
Dimensions (H x W x D):	75 x 75 x 38,5 cm
Stone filling:	2 x 25 kg (Sauna stones optional)
Installation:	Floor-standing



Also available with elegant matt black finish.

Connection diagram

12,0 - 15,0 kW



Technical specifications

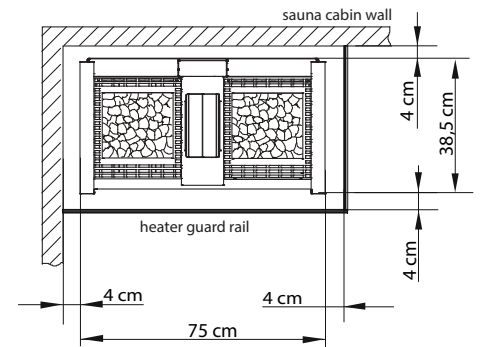
Power output	Connection mains - control unit	Connection control unit - heater	Connection mains - LSG	Connection LSG - heater	Connection control unit - LSG unit
12.0 kW	5 x 2.5 mm ²	5 x 1.5 mm ²	5 x 2.5 mm ²	5 x 1.5 mm ²	4 x 1.5 mm ²
15.0 kW					

All cross sections of a line are minimum diameters in mm² (copper wire).

Item no.	Power output	Electrical connection	Fuse protection control unit	Fuse protection LSG unit	Dimensions H/W/D, in cm	For sauna cabin size	Min. size air inlet and outlet	Weight without rocks	Stone filling	Power extension required
94 4330 / 94 7692*	12.0 kW	400 V 3N ~ 50 Hz	3 x 16 A	3 x 16 A	75 / 75 / 38,5	14 - 18 m ³	35 x 7 cm	49 kg	50 kg	LSG 10
94 4331 / 94 7693*	15.0 kW					18 - 25 m ³	35 x 9 cm			

*matt black finish

Minimum clearances



Suitable control units

Model

EOS Compact D series

EOS EmoTec D series

EOS EmoStyle D / Hi series

EOS EmoTouch 3 series

Spare heating elements

Description	Item no.
For 12,0 kW (6 x 2000 W)	2000 8085
For 15,0 kW (10 x 1500 W)	2000 8085