

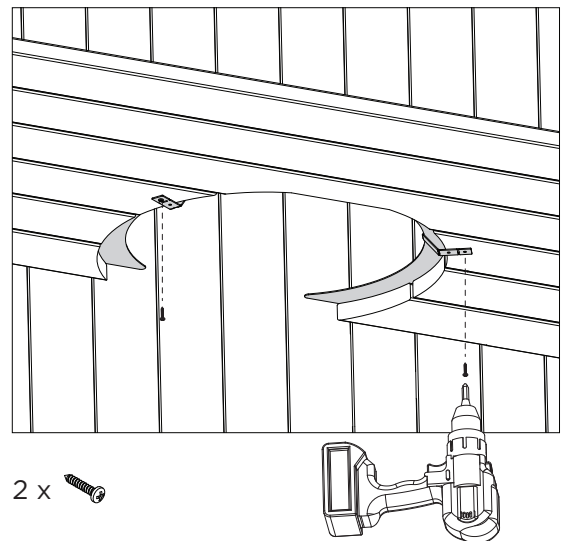
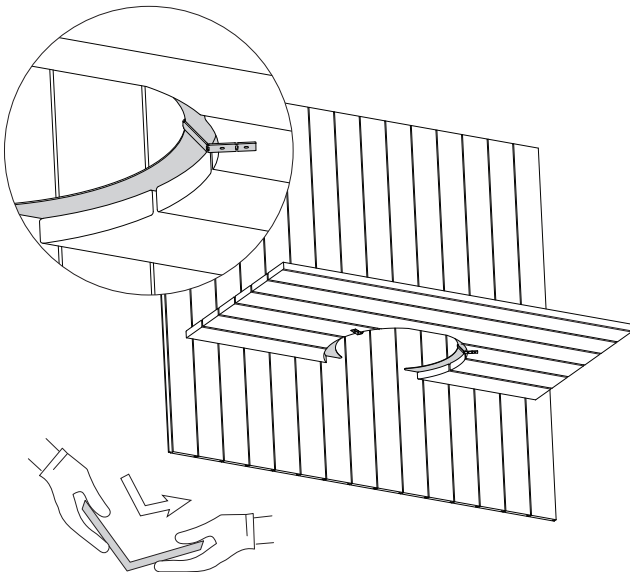
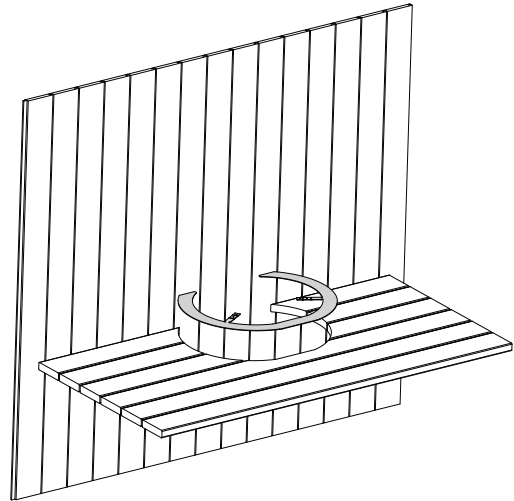
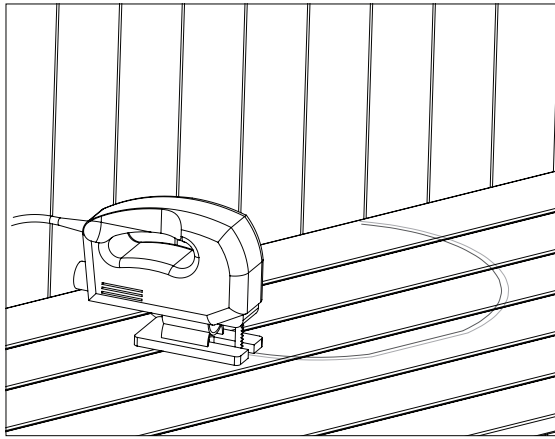
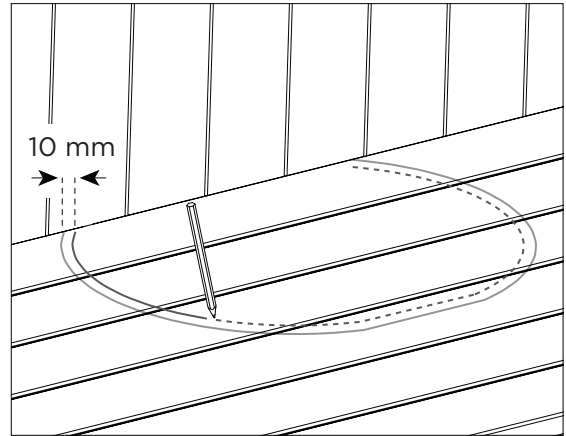
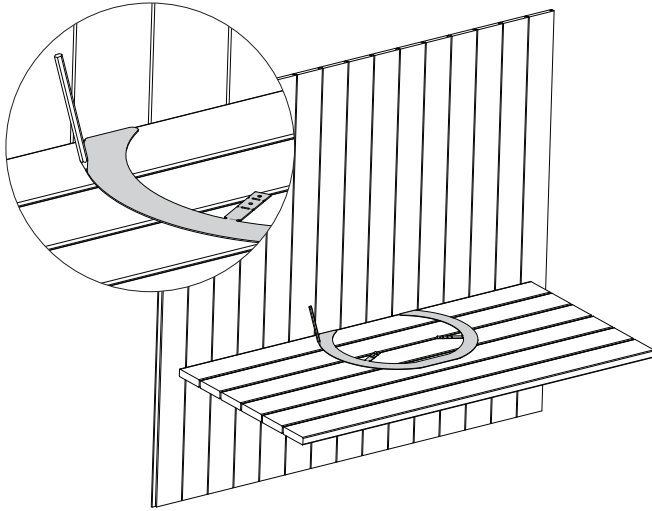


# HSP1

1 x  2 x 



2 x 

17082022/Y05-1150 A