

# Sauna controller

## wave.com4 11 kW

INSTRUCTIONS FOR INSTALLATION AND USE  
English



WC4-B-D/W/S



WC4-B-11

**wave.com 4 basic module 11 kW**

**1-049-633 / WC4-B-11**

**wave.com 4 control unit, dark wood**

**1-008-128 / WC4-B-D**

**wave.com 4 control unit, black**

**1-010-433 / WC4-B-S**

**wave.com 4 control unit, white**

**1-010-433 / WC4-B-W**

EN

DE

FR

IT

NL

SV

FI

RU

# Table of Contents

<b>1. About this instruction manual</b>	<b>5</b>
<b>2. Important information for your safety</b>	<b>6</b>
2.1. Intended use	6
2.2. Safety information for the installer	7
2.3. Safety information for the user	8
<b>3. Product description</b>	<b>9</b>
3.1. Scope of delivery	9
3.2. Not supplied	9
3.3. Optional accessories	9
3.4. Product features	10
3.5. Sauna operating modes	11
3.6. Sensor operating modes	11
<b>4. Installation</b>	<b>13</b>
4.1. Installing the power unit	13
4.2. Installing the main switch	13
4.3. Installing the cabin light and the light switch	13
4.4. Installing the expansion board (optional)	14
4.5. Installing the control unit	14
4.6. Installing the heater sensor F1 with overheat cut-out	15
4.8. Installing the bench sensor F2 (optional)	16
4.9. Installing the humidity sensor WC4-H-H (optional)	16
4.7. Installing the humidity/temperature sensor FTS2 (optional)	16
<b>5. Electrical connection</b>	<b>17</b>
5.1. Connecting the power supply cable and heater	18
5.2. Connecting the evaporator (optional)	18
5.3. Connecting the control unit	18

5.4.	Connecting an external main switch.....	19
5.5.	Connecting the light.....	19
5.6.	Connecting an external light switch.....	19
5.7.	Connecting a fan (optional).....	19
5.8.	Connecting the heater sensor F1.....	20
5.9.	Connecting the humidity/temperature sensor FTS2 (optional).....	20
5.10.	Connecting the bench sensor F2 (optional).....	20
5.11.	Connecting the humidity sensor WC4-H-H (optional).....	21
5.12.	Connecting a dummy sensor (optional).....	21
5.13.	Connecting a power booster (optional).....	21
5.14.	Connecting a remote start device .....	21
5.15.	Finishing the installation.....	22
<b>6.</b>	<b>Testing</b> .....	<b>22</b>
<b>7.</b>	<b>Connection diagram</b> .....	<b>23</b>
7.1.	Connection diagram of basic module.....	23
7.2.	Connection diagram for the expansion board (optional).....	24
<b>8.</b>	<b>Operating and display unit</b> .....	<b>25</b>
<b>9.</b>	<b>Operation</b> .....	<b>26</b>
9.1.	Switching on.....	26
9.2.	Setting the heating time.....	26
9.3.	Setting the language.....	26
9.4.	Switching on the light (cleaning light).....	27
9.5.	Selecting the operating mode.....	27
9.6.	Starting <b>FIN</b> sauna mode.....	27
9.7.	Switching off <b>FIN</b> sauna mode.....	28
9.8.	Starting combined <b>HUM</b> mode.....	28
9.9.	Switching off combined <b>HUM</b> mode.....	28
9.10.	Stopping the post-drying programme.....	29

9.11. Setting the timer.....	29
9.12. Dimming the light.....	29
9.13. Setting the preset time.....	30
9.14. ECO mode.....	30
9.15. Activating standby for remote operation.....	31
9.16. Remote start release.....	31
9.17. Activating an additional control unit.....	32
9.18. Setting the acoustic signal.....	32
9.19. Activating the rolling display.....	33
9.20. Setting the post-drying programme.....	33
9.21. Switching off the sauna controller.....	34
<b>10. Cleaning and maintenance.....</b>	<b>34</b>
10.1. Cleaning.....	34
10.2. Maintenance.....	34
<b>11. Disposal.....</b>	<b>34</b>
<b>12. Troubleshooting.....</b>	<b>35</b>
12.1. Error messages.....	35
12.2. Fuses.....	36
12.3. Temperature correction.....	36
<b>13. Technical data.....</b>	<b>37</b>



# 1. About this instruction manual

Read these installation and operating instructions carefully and keep them within reach of the sauna controller. This ensures that you can refer to information on safety and operation at any time.



These installation and operating instructions can also be found in the downloads section of our website: [www.sentiotec.com/downloads](http://www.sentiotec.com/downloads).

## ***Symbols used for warning notices***

In these instructions for installation and use, a warning notice located next to an activity indicates that this activity poses a risk. Always observe the warning notices. This prevents damage to property and injuries, which in the worst case may be fatal.

The warning notices contain keywords, which have the following meanings:



### **DANGER!**

Serious or fatal injury will occur if this warning notice is not observed.

**EN**

### **WARNING!**

Serious or fatal injury can occur if this warning notice is not observed.



### **CAUTION!**

Minor injuries can occur if this warning notice is not observed.

## **ATTENTION!**

This keyword is a warning that damage to property can occur.

## ***Other symbols***



This symbol indicates tips and useful information.

## **2. Important information for your safety**

The wave.com4 11 kW sauna controller has been manufactured according to the applicable safety regulations. However, hazards may arise during use. You should therefore adhere to the following safety information and the specific warnings in the installation and operating instructions. Also observe the safety information for the devices connected.

### **2.1. Intended use**

The wave.com4 11 kW sauna controller is designed solely for operating and controlling the functions described in the technical data.

The sauna controller may only be used for operating and controlling three heating circuits with a maximum output of 3.7 kW per heating circuit.

When using the optional wave.com4 expansion board (WC4-H-PCB), the maximum evaporator output is 3.0 kW.

According to EN 60335-2-53 sauna remote control units may only be used to regulate and control a sauna heater that passes the cover test according to paragraph 19.101. Alternatively, an appropriate safety measure (e.g.: safety shutdown, door contact...) must be installed.

Any use exceeding this scope is considered improper use. Improper use can result in damage to the product, severe injuries or death. The warranty is void if the device is not used as intended.

## 2.2. Safety information for the installer

- The electrical connection may only be performed by a qualified electrician or similarly qualified person. Please note that in the event of a guarantee claim, a copy of the invoice issued by the electrician performing the work must be presented.
- Work on the sauna controller may only be performed when the power has been disconnected.
- A fully disconnecting all-pole isolating device compliant with overvoltage category III must be fitted on site.
- The power unit of the wave.com4 11 kW (WC4-B-11) must be installed in accordance with the technical data.
- The control unit can be installed inside or outside the sauna, however it must be mounted according to the installation and operating manual provided.
- Also comply with the regulations applicable at the installation location.
- For your own safety, consult your supplier in the event of problems that are not explained in sufficient detail in the installation instructions.

### **2.3. Safety information for the user**

- The sauna controller must not be used by children under 8 years of age.
- The sauna controller may be used by children over 8 years of age, by persons with limited psychological, sensory or mental capabilities or by persons with lack of experience/knowledge, but only if:
  - They are supervised.
  - They have been shown how to use the device safely and are aware of the hazards that could occur.
- Children must not play with the sauna controller.
- Children under 14 years of age may only clean the sauna controller if they are supervised.
- For health reasons, do not use the sauna when under the influence of alcohol, medication or drugs.
- Make sure that no flammable objects have been placed on the sauna heater before the sauna controller is switched on.
- Make sure that no flammable objects have been placed on the sauna heater before activating the preset time function or the standby mode for remote start.
- For your own safety, consult your supplier in the event of problems that are not described in sufficient detail in the user instructions.

### 3. Product description

The wave.com4 11 kW is a two-piece sauna controller. In order to function, a basic module with power unit (WC4-B-11), a control unit (WC4-B-S, WC4-B-D or WC4-B-W) and a heater sensor (WC4-B-F1D or WC4-B-F1H) are always required.

#### 3.1. Scope of delivery

- Power unit (1-049-633 / WC4-B-11)
- Installation and operation manual

#### 3.2. Not supplied

- Main switch (standard 230 V switch)
- Light switch (standard 230 V switch)
- Dark wood control unit (1-008-128 / WC4-B-D)  
or black control unit (1-010-389 / WC4-B-S)  
or white control unit (1-010-437 / WC4-B-W)
- Light wood heater sensor (1-013-651 / WC4-B-F1H), 5 m sensor cables  
or dark wood heater sensor (1-003-479 / WC4-B-F1D), 5 m sensor cables

#### 3.3. Optional accessories

- Expansion board for humidity, bench sensor (1-003-472 / WC4-H-PCB)
- Dark wood WC4 bench sensor (1-003-295/WC4-H-F2D), 5 m sensor cables
- Light wood WC4 bench sensor (1-013-662/WC4-H-F2H), 5 m sensor cables
- Dark wood humidity sensor (1-003-364 / WC4-H-HD), 5 m sensor cables
- Light wood humidity sensor (1-013-669 / WC4-H-HH), 5 m sensor cables
- Humidity/temperature sensor (1-010-081/O-FTS2), 6 m sensor cables
- Dark wood sensor housing for FTS2 (1-041-521 / SC-FTS2-D)
- Light wood sensor housing for FTS2 (1-041-520 / SC-FTS2-D)
- Y-adaptor RJ10 4-pin (1-028-167 / WC4-C-ADY)
- Power booster (1-008-779 / O-S2-18, 1-009-280 / O-S2-30)
- Safety shutdown (SFE-xxxxx)
- Remote start system (1-051-003 / FS-SY)
- Door sensor system (1-052-722 / SAB00102)

### 3.4. Product features

The wave.com4 11 kW sauna controller features the following functions:

- Regulation of sauna heaters with a heating output of up to 11 kW.
- When an expansion board is installed, regulation of combined heaters with a heating output of up to 11 kW and evaporator output of up to 3 kW.
- When a power booster is installed, the maximum power rating of 11 kW can be increased.
- Option to connect external main switch
- Option to connect external light switch
- Switching and dimming a cabin light (up to 100 W bulb)
- Fan regulation (up to 100 W)
- Automatic heating time limit  
The sauna controller shuts down automatically for safety reasons after the maximum heating time (1 to 12 hours).
- Preset time function (1 to 24 hours)
- Acoustic signal for time interval (e.g: time to pour water on stones)
- Post-drying program  
After operation in combined mode, the post-drying program starts automatically to prevent mould or rot from forming in the sauna cabin. (3 setting options).
- Remote start function
- Eco mode  
Eco mode ensures that the cabin temperature is the same after a break (20, 40, 60 minutes).
- Overheat cut-out  
The overheat cut-out is installed in the housing for the heater sensor. If a defect causes the sauna heater to continue heating after reaching the preferred temperature, the overheat cut-out switches the sauna heater off at a temperature of around 139 °C.

### 3.5. Sauna operating modes

#### **Sauna mode**

Dry heat is provided in sauna mode. The temperature in the cabin is high (80 to 100 °C). The humidity is low (no more than 10%).

#### **Combined mode (optional – with expansion board)**

In combined mode, the evaporator operates along with the heater. The temperature in the sauna cabin is lower (around 40 to 65 °C) than in sauna mode, but the relative humidity is much higher, ranging from 35% to 70%. The maximum humidity that can be set depends on the temperature of the sauna. The higher the sauna temperature, the lower the maximum humidity level that can be set (see Fig. 1).

### 3.6. Sensor operating modes

The wave.com4 11 kW sauna controller can be operated with one, two or three sensors.

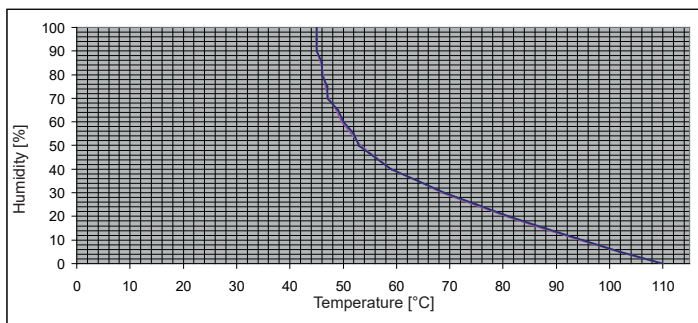
#### **Single sensor mode (F1)**

Single sensor mode is the factory setting.

In single sensor mode, the sauna controller is operated with the heater sensor with overheat cut-out only.

The sauna controller displays the actual temperature by default. The target temperature is displayed while the setting is entered.

In single sensor mode, the maximum humidity that can be set (optional – with expansion board) is based on the temperature above the heater and the humidity is timed. Only the setpoint for the humidity (in % relative humidity) is shown on the sauna controller display. The actual humidity in the sauna cabin when the humidity is timed depends on the size of the cabin and the evaporator output, and may differ from the setpoint.



**Fig. 1: Characteristic curve showing humidity relative to temperature**

***Two-sensor mode with humidity/temperature sensor (FTS2)  
(optional – with expansion board)***

In two-sensor mode with humidity/temperature sensor, the sauna controller displays the temperature measured by the humidity/temperature sensor as the actual temperature.

In two-sensor mode with humidity/temperature sensor, the evaporator is regulated according to the humidity level measured in the cabin. The sauna controller displays the actual humidity (in % relative humidity) in the sauna cabin.

***Two-sensor mode with bench sensor (F2)  
(optional – with expansion board)***

In two-sensor mode with bench sensor, a second temperature sensor (bench sensor) is installed above the rear sauna bench. The sauna controller displays the temperature measured by the bench sensor as the actual temperature.

In two-sensor mode with bench sensor, the humidity is timed. Only the setpoint for the humidity (in % relative humidity) is shown on the sauna controller display. The actual humidity in the sauna cabin when the humidity is timed depends on the size of the cabin and the evaporator output, and may differ from the setpoint.

***Two-sensor mode with humidity sensor (WC4-H-H)  
(optional – with expansion board)***

In two-sensor mode with humidity sensor, the sauna controller displays the temperature measured by the heater sensor as the actual temperature. The evaporator is regulated according to the humidity measured in the cabin. The sauna controller displays the actual humidity (in % relative humidity) in the sauna cabin.

***Three-sensor mode with bench sensor (F2) and humidity sensor (WC4-H-Hx)  
(optional – with expansion board)***

In three-sensor mode with bench sensor and humidity sensor, the sauna controller displays the temperature measured by the bench sensor as the actual temperature.

In three-sensor mode, the evaporator is regulated according to the humidity measured in the cabin. The sauna controller displays the actual humidity (in % relative humidity) in the sauna cabin.



## 4. Installation

During installation observe the technical data; see Page 37:

---

### ATTENTION!

#### ***Interference can impair signal transmission***

- Route all sensor cables separately from other mains cables and control cables.
- Protect cables with only one layer of insulation by using a conduit (double insulation).



The sensors may only be connected using the sensor cables supplied with the unit, which are heat-resistant up to 150 °C.

- The heater sensor cables may NOT be longer than 10 m.
  - Outside the cabin, the sensor cables can be extended using cables that are not temperature-resistant.
- 

### 4.1. Installing the power unit

See Fig. 2 on Page 14.

---

### ATTENTION!

#### ***Damage to the unit***

The sauna controller is resistant to splashing water, but direct contact with water could still damage it.

- Install the sauna controller in a dry place where the maximum humidity will not exceed 95%.
  - When installed in the sauna cabin, the cable bushings must not point upwards!
- 

To install the power unit **[1]**, carry out the following steps:

1. Take off the cover of the power unit.
2. You can fasten the power unit to the supporting surface at the 4 corners of the chassis (see arrows Fig. 4 on page 17)

### 4.2. Installing the main switch

Follow the operating instructions for the switch.

### 4.3. Installing the cabin light and the light switch

Follow the operating instructions for the switch.

#### 4.4. Installing the expansion board (optional)

1. Connect the expansion board to the base board using the pre-configured cables (L-N-PE) and the ribbon cable.
2. Fasten the expansion board in place using the screws provided.

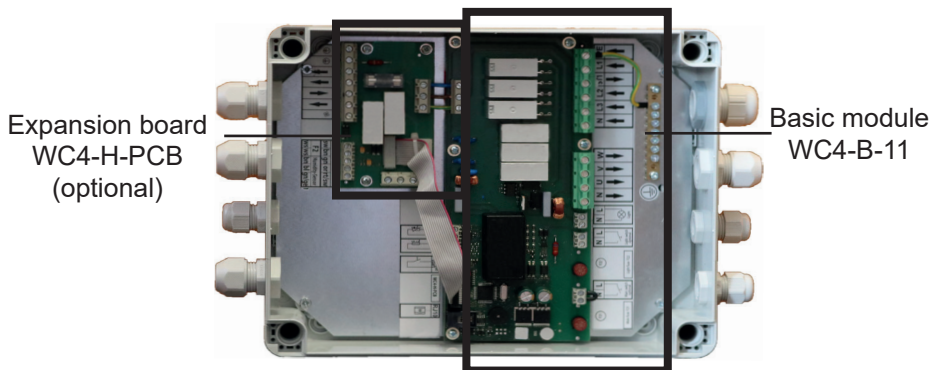


Fig. 2: Wave.com4 11 kW power unit

#### 4.5. Installing the control unit

Install the control unit **[2]** on the cabin wall no more than 10 metres from the power unit **[1]**. Pay attention to how the data cable is routed.

---

#### ATTENTION!

##### ***Damage to the unit***

- The control unit **[2]** for the sauna controller is splash-proof (IP code IPX4).
- Only use a manual screwdriver for installation. Using a cordless screwdriver may irreparably damage the housing.
- For installation inside the sauna cabin, maintain a distance of at least 30 cm to the ceiling.

- 
1. Cut the recess for the control unit, for example using a  $\text{Ø } 70 \times 35$  mm hole cutter.
  2. Connect the 4-pin plug to the RJ10 socket on the control unit.
  3. Screw the housing to the cabin wall by screwing the 4 wood screws supplied through the hole.

## 4.6. Installing the heater sensor F1 with overheat cut-out

Note the following points when installing the heater sensor:

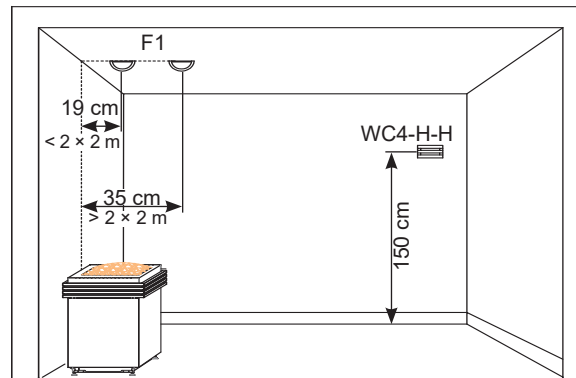
- The heater sensor must be installed in the sauna cabin above the middle of the sauna heater. For cabins up to  $2 \times 2$  m a distance of 19 cm from the cabin wall must be maintained, for larger cabins a distance of 35 cm.
- The heater sensor must be installed in such a way that it is not affected by inflowing air.



Take care not to damage any of the sensor cables when pulling them in.

To install the heater sensor, carry out the following steps (see **Fig. 3**):

1. Drill through the cabin ceiling with an 8 mm bit.
2. Pull the two 2-core heater sensor cable through the hole.
3. Fasten the sensor housing using the wood screws supplied.
4. Guide the two 2-core heater sensor cables up to the power unit and fix the heater sensor cables with cable clamps.
5. Check that the heater sensor is firmly fastened.



**Fig. 3: Installing the sensor**

#### **4.7. Installing the humidity/temperature sensor FTS2 (optional)**

The humidity/temperature sensor must be installed on the wall of the cabin above the rear bench seat. A distance of about 15 cm from the ceiling of the cabin must be maintained. Follow the installation instructions for the sensor.



---

A wooden housing is optionally available for the humidity/temperature sensor.

---

#### **4.8. Installing the bench sensor F2 (optional)**

The bench sensor must be installed on the wall of the cabin above the rear bench seat. A distance of about 15 cm from the ceiling of the cabin must be maintained.

To install the bench sensor, carry out the following steps:

1. Drill through the cabin wall with an 8 mm drill bit.
2. Pull the 2-core bench sensor cable through the hole.
3. Fasten the sensor housing using the wood screws supplied.
4. Guide the 2-core bench sensor cable up to the power unit and fasten it with cable clips.
5. Check that the bench sensor is firmly fastened.

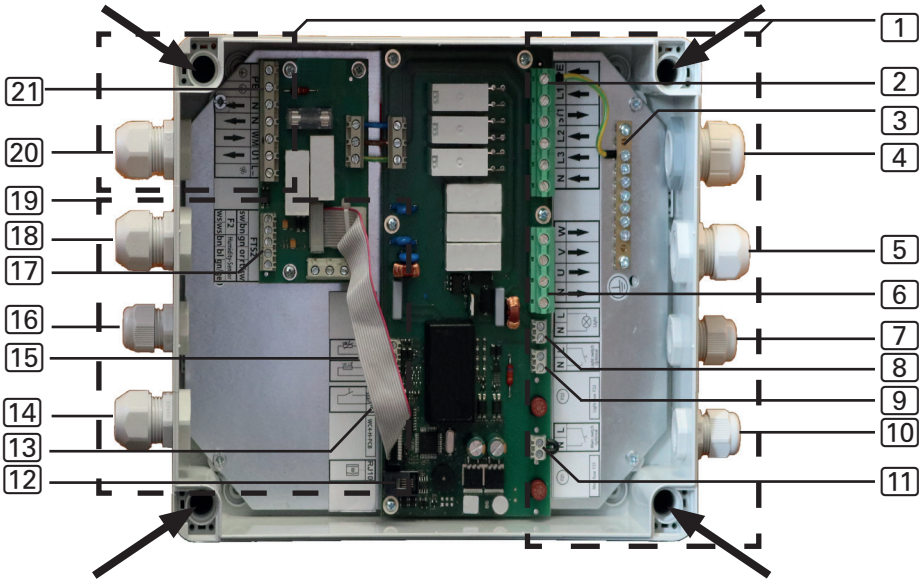
#### **4.9. Installing the humidity sensor WC4-H-H (optional)**

The humidity sensor must be installed in the middle of the side wall furthest from the heater at a height of around 150 cm (Fig. 3 on page 15).

To install the humidity sensor, carry out the following steps:

1. Drill through the cabin wall with an 8 mm drill bit.
2. Pull the 3-core humidity sensor cable through the hole.
3. Fasten the sensor housing using the wood screws supplied.
4. Guide the 3-core humidity sensor cable up to the power unit and fasten it with cable clips.
5. Check that the humidity sensor is firmly fastened.

## 5. Electrical connection



EN

**Fig. 4: Electrical connection**

- |  |  |
|--|--|
| <b>1</b> 230 V / 400 V connection areas            | <b>12</b> RJ10 socket for control unit data cable                            |
| <b>2</b> Terminal strip for power supply cable     | <b>13</b> Terminal strip for remote strip                                    |
| <b>3</b> Earth rail                                | <b>14</b> Bushing for RJ10 data cable, F1/F2 sensors and remote start device |
| <b>4</b> Bushing for power supply cable            | <b>15</b> Terminal strip for F1 sensor                                       |
| <b>5</b> Bushing for heater cable                  | <b>16</b> Bushing for WC4-H-H / FTS2 sensor                                  |
| <b>6</b> Terminal strip for heater cable           | <b>17</b> Terminal strip for F2 / WC4-H-H / FTS2 sensor                      |
| <b>7</b> Bushing for light and power booster       | <b>18</b> Bushing for fan cable  |
| <b>8</b> Terminal strip for light                  | <b>19</b> Low voltage connection area  |
| <b>9</b> Terminal strip for light switch           | <b>20</b> Bushing for evaporator cable                                       |
| <b>10</b> Bushing for light switch and main switch | <b>21</b> Terminal strip for evaporator cable and fan                        |
| <b>11</b> Terminal strip for main switch           |  |



---

Note “**5. Electrical connection**” on page 17 and “**7.1. Connection diagram of basic module**” on page 23 and “**7.2. Connection diagram for the expansion board (optional)**” on page 24.

---

### 5.1. Connecting the power supply cable and heater

1. Guide the power supply and heater cable through the bushings **4** and **5** into the 230 V/400 V connection area **1**.
2. Connect the cables to the corresponding terminal strips **2** and **6**. Follow the operating instructions for each device.

### 5.2. Connecting the evaporator (optional)

1. Guide the evaporator cable (optional with expansion board) through the bushing **20** into the 230 V/400 V connection area **1**.
2. Connect the cables to the corresponding terminal strips **21**. Follow the operating instructions for the evaporator.



---

If the evaporator does not have an automatic low-water indicator, use a jumper to connect terminal “**U1**” to terminal “**WM**” or change the setting of the acoustic signal (see Page 32).

---

### 5.3. Connecting the control unit

1. Guide the control unit connection cable through the bushing **14** into the low-voltage connection area **19**.
2. Connect the plug of the RJ-10 cable to the connection socket **12**.



---

The wave.com4 11 kW sauna controllers allow up to 4 control units to be operated on one power unit. Use the Y-adapter (see “3.3. Optional accessories” on page 9) to connect the optional control units.

---

## 5.4. Connecting an external main switch

The main switch is not included on delivery.

1. Guide the main switch connection cable through the bushing [10] into the 230 V/400 V connection area [1].
2. Connect the cable to terminal strip [11]. Follow the operating instructions for the switch.



The contacts are bridged on delivery. Remove the wire jumper for installation

## 5.5. Connecting the light

1. Guide the light cable through the bushing [7] into the 230 V/400 V connection area [1].
2. Connect the light cable to terminal strip [8]. Follow the operating instructions for the switch.

## 5.6. Connecting an external light switch

The light switch is not included on delivery.

3. Guide the light switch connection cable through the bushing [10] into the 230 V/400 V connection area [1].
4. Connect the cable to terminal strip [9]. Follow the operating instructions for the switch.

## 5.7. Connecting a fan (optional)

1. Guide the fan cable through the bushing [18] into the 230 V/400 V connection area [1].
2. Connect the fan cable to terminal strip [21]. Follow the operating instructions for the fan.

## 5.8. Connecting the heater sensor F1

1. Guide the heater sensor cables through the bushing **[14]** into the low-voltage connection area **[19]**.
2. Connect the red heater sensor wires (STB) to the terminals labelled “**R-R**” in terminal strip **[15]**.
3. Connect the white heater sensor wires (F1) to the terminals labelled “**W-W**” in terminal strip **[15]**.



For timed humidity in single-sensor mode, the dummy sensor must be installed (see 5.12 on page 21).

## 5.9. Connecting the humidity/temperature sensor FTS2 (optional)

1. Guide the sensor cables through the bushing **[16]** into the low-voltage connection area **[19]**.
2. Connect the temperature sensor wires to the terminals labelled “**FTS2: sw-br**” in terminal strip **[17]**.
  - a. Connect the black wire to the terminal labelled “**sw**”.
  - b. Connect the brown wire to the terminal labelled “**br**”.
3. Connect the humidity sensor wires to the terminals labelled “**FTS2: gn-or-rt**” in terminal strip **[17]**.
  - c. Connect the green wire to the terminal labelled “**gn**”.
  - d. Connect the orange wire to the terminal labelled “**or**”.
  - e. Connect the red wire to the terminal labelled “**rt**”.

## 5.10. Connecting the bench sensor F2 (optional)

1. Guide the bench sensor cables through the bushing **[14]** into the low-voltage connection area **[19]**.
2. Connect the bench sensor wires to the terminals labelled “**F2: ws-ws**” in terminal strip **[17]**.



For timed humidity in two-sensor mode (F1 and F2), the dummy sensor must be installed (see 5.12 on page 21)



### 5.11. Connecting the humidity sensor WC4-H-H (optional)

1. Guide the sensor cables through the bushing **[16]** into the low-voltage connection area **[19]**.
2. Connect the humidity sensor wires to the terminals labelled **"WC4-H-H: br-bl-gn/ge"** in terminal strip **[17]**.
  - a. Connect the brown wire to the terminal labelled **"br"**.
  - b. Connect the blue wire to the terminal labelled **"bl"**.
  - c. Connect the yellow and green wire to the terminal labelled **"gn/ge"**.
3. Remove the FTS2 jumper (see "7.1. Connection diagram of basic module" on page 23)



Humidity mode with the humidity sensor WC4-H-H can also be used without the bench sensor F2.

### 5.12. Connecting a dummy sensor (optional)

1. Connect the dummy sensor supplied to the terminals labelled **"WC4-H-H: br-bl"** in terminal strip **[17]**.

EN

### 5.13. Connecting a power booster (optional)

1. Guide the power booster cable through the bushing **[7]** into the 230 V/400 V connection area **[1]**.
2. Connect the power booster cable to terminal strip **[2]** and **[3]**. Use the terminal labelled **"ST1"** for the safety circuit (ST1) and the terminal labelled **"V"** for the control circuit (ST2). Follow the operating instructions for each device.




On delivery, a plastic screw is clamped in terminal ST1 – this may have to be removed.

### 5.14. Connecting a remote start device

The **"Remote start"** terminals in the low-voltage connection area **[19]** are used for the connection.

The outgoing +12V<sup>DC</sup> must be fed back to the terminal via a switch (permanent contact). The last operating mode used can be activated.

## 5.15. Finishing the installation

1. Connect the earth conductors of the power supply cable and all devices to the earth rail .
2. Close the power unit.

## 6. Testing

The following tests must be performed by a qualified electrician.



### **WARNING!**

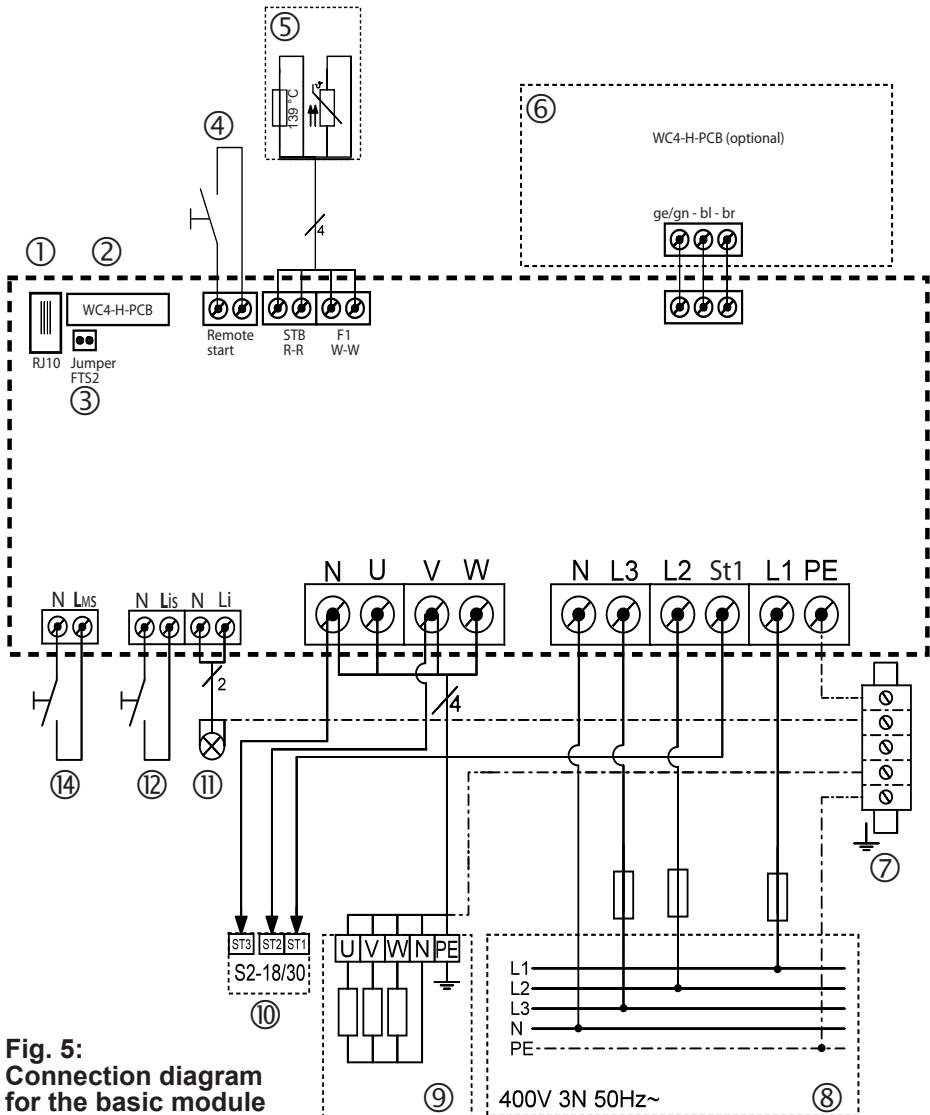
***The following tests must be carried out with the power supply switched on. There is a danger of electric shock.***

- NEVER touch live parts.

1. Check the contact of the earth conductors on the earth conductor terminal.
2. Check the overheat cut-out on the heater sensor F1.
  - a. Switch on the sauna controller.
  - b. Open the heater sensor and disconnect one of the two red heater sensor wires.
    - ▶ The display shows “-30” and all the symbols flash.
    - ▶ The controller switches off the heater.
  - c. Switch off the sauna controller using the main switch.
  - d. Reconnect the red heater sensor wire.
  - e. Now disconnect one of the white heater sensor wires.
  - f. Switch on the sauna controller.
    - ▶ The display shows “-21” and all the symbols flash.
    - ▶ The controller switches off the heater.
  - g. Switch off the sauna controller using the main switch.
  - h. Reconnect the white heater sensor wire.
3. Test the phase connection of L1, L2, L3 to U, V, W.
4. Check the maximum permissible heating output of 3.7 kW per phase.
5. Optional – with expansion board: Test the phase connection for evaporator mode L1, L2, L3 to U, V1, W.
6. If there is an optional power booster: Test the control cables ST1, ST2 and ST3.

# 7. Connection diagram

## 7.1. Connection diagram of basic module



EN

**Fig. 5:**  
**Connection diagram**  
**for the basic module**

Heater [kW]	Power supply cable Heater supply cable (temperature-resistant up to 150 °C)	Fuse [A]
0 - 6,9	5 x 1,5 mm <sup>2</sup>	3 x 10
< 6,9 - 11	5 x 2,5 mm <sup>2</sup>	3 x 16

- ① RJ10 connection for control unit
- ② Expansion board
- ③ Jumper for FTS2
- ④ Remote start device
- ⑤ Heater sensor with overheat cut-out (F1)
- ⑥ Expansion board
- ⑦ Earth rail
- ⑧ Power supply for the sauna controller
- ⑨ Heating system (max.11 kW)
- ⑩ Power booster
- ⑪ Light
- ⑫ Light switch
- ⑬ Main switch
- ⑭ Evaporator (max. 3 kW)
- ⑮ Fan
- ⑯ Bench sensor (F2 / FTS2)
- ⑰ Humidity sensor (WC4-H-H / FTS2)

## 7.2. Connection diagram for the expansion board (optional)

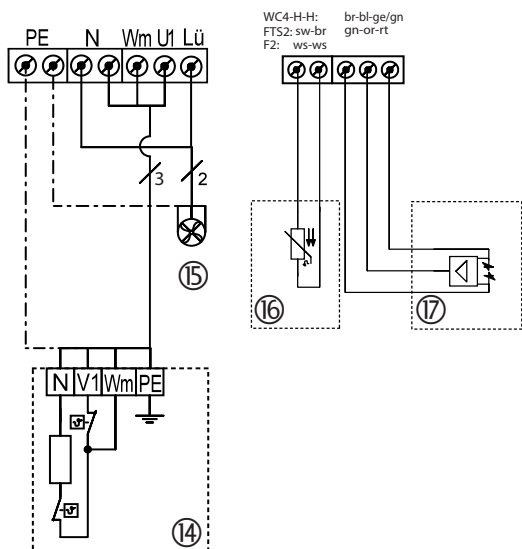
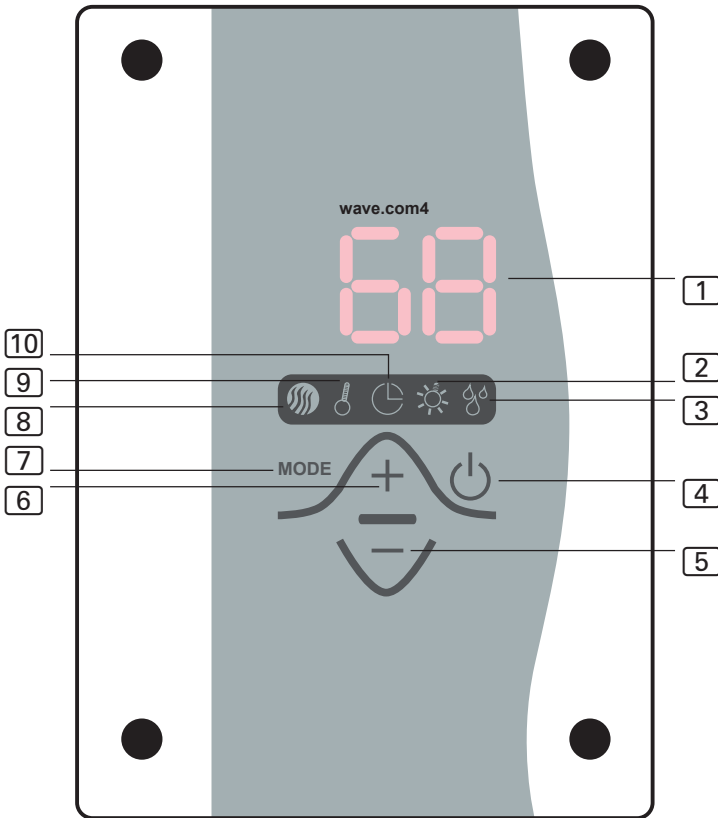


Fig. 6: Connection diagram for the expansion board

## 8. Operating and display unit



EN

1	Display (3-digit seven-segment display)	6	Plus
2	Indicator lamp: <i>Light</i>	7	Mode (settings)
3	Indicator lamp: <i>Humidity</i>	8	Indicator lamp: <i>Standby</i>
4	On/Off	9	Indicator lamp: <i>Temperature</i>
5	Minus	10	Indicator lamp: <i>Timer</i>

## 9. Operation

Observe “8. Operating and display unit” on page 25.

### 9.1. Switching on

Switch on the controller by switching on the external main switch (optional).

- ▶ The standby indicator lamp **8** lights up and remains lit.

### 9.2. Setting the heating time

The heating time can be set in hours (1 to 12).

The controller must be set to standby mode when this is programmed.

Press the On/Off **4** and Minus **5** buttons simultaneously for 3 seconds.

- ▶ The time that was most recently set flashes in the display **1**.

Select the preferred heating time using the Minus **5** and Plus **6** buttons (OFF, 1–12).

Press the On/Off button **4** to confirm your selection and go directly to the language settings (see Page 26). Press the On/Off button **4** to confirm.

- ▶ The standby indicator lamp **8** lights up.

### 9.3. Setting the language

The following languages are available:

English, German, French, Italian, Dutch

The controller must be set to standby mode when this is programmed.

Press the On/Off **4** and Minus **5** buttons simultaneously for 3 seconds.

This takes you to the heating time menu. Press the Mode button **7** to open the language menu. Make your selection here using the Minus **5** and Plus **6** buttons.

Confirm your selection using the Mode button **7**.

## 9.4. Switching on the light (cleaning light)

The light (cleaning light) in the sauna cabin can be switched on and off using an external light switch in any operating mode.

The light (cleaning light) in the sauna cabin can be switched on and off by pressing the On/Off button **4** on the control unit. (The controller must be set to standby mode for this). The light switches off automatically after 5 minutes.

- ▶ The standby indicator lamp **8** flashes = standby mode

The light in the sauna cabin can be dimmed. To do this, the controller must be set to *FIN* or *HUM* mode (see “9.12. Dimming the light” on page 29).

## 9.5. Selecting the operating mode

The following operating modes are available for selection:

- Sauna mode “*FIN*” (default)
- Combined mode “*HUM*”
- Cleaning light “*OFF*”

Press the On/Off button **4** and select the operating mode using the Minus **5** and Plus **6** buttons.

EN

## 9.6. Starting *FIN* sauna mode

Select *FIN* mode. Then briefly press the On/Off button **4**.

- ▶ The controller starts with the settings that were most recently used for this operating mode.
- ▶ The standby **8** and temperature **9** indicator lamps light up.

Select the preferred temperature using the Minus **5** and Plus **6** buttons (< 110 °C)

- ▶ The display **1** shows the selected temperature (setpoint) for a few seconds, after which the measured temperature (actual value) is displayed.

## 9.7. Switching off *FIN* sauna mode

Briefly press the On/Off button **4**.

- ▶ The sauna heater switches off.
- ▶ The standby indicator lamp **8** flashes. The operating mode is now **OFF**
- ▶ The light (cleaning light) is on.

To switch off the controller, briefly press the On/Off button **4**.

- ▶ The standby indicator lamp **8** flashes = standby mode

## 9.8. Starting combined *HUM* mode

Select **HUM** mode. Briefly press the On/Off button **4**.

- ▶ The controller starts with the settings that were most recently used for this operating mode.
- ▶ The standby **8** and temperature **9** indicator lamps light up.

Select the preferred temperature using the Minus **5** and Plus **6** buttons.

- ▶ The display **1** shows the selected temperature (setpoint) for a few seconds, after which the measured temperature (actual value) is displayed.

Press the Mode button **7** until the humidity indicator lamp **3** lights up.

Select the preferred humidity using the Minus **5** and Plus **6** buttons (< 70 °C see “Fig. 1: Characteristic curve showing humidity relative to temperature” on page 11)

- ▶ The display **1** shows the selected humidity (setpoint).  
If a humidity sensor (optional) is installed, the measured humidity (actual value) is displayed after a few seconds.

## 9.9. Switching off combined *HUM* mode

Briefly press the On/Off button **4**.

- ▶ The sauna heater and the evaporator are switched off.
- ▶ The standby indicator lamp **8** flashes. The operating mode is now **OFF**
- ▶ The light (cleaning light) is on.

To switch off the controller, briefly press the On/Off button **4**.

- ▶ The standby indicator lamp **8** flashes = standby mode



## 9.10. Stopping the post-drying programme

After combined mode, the post-drying programme is started automatically. The display [1] shows the message “dry” and the humidity indicator lamp flashes. For the settings possible for the post-drying programme, see “**Setting the post-drying programme**” on page 33

- ▶ Press the On/Off [4] and Minus [5] buttons simultaneously for around 3 seconds.



To prevent mould and rot from forming, the post-drying programme should NOT be stopped.

## 9.11. Setting the timer

The timer can be set in minutes (0 to 99). An acoustic signal (buzzer in the power unit) sounds after the time has elapsed.

Press the Mode button [7] until the timer indicator lamp [10] lights up. Select the preferred interval using the Minus [5] and Plus [6] buttons.

- ▶ The display [1] shows the remaining time.

## 9.12. Dimming the light

The light in the sauna cabin can be dimmed. To do this, the controller must be set to *FIN* or *HUM* mode.

Press the Mode button [7] until the light indicator lamp [2] lights up.

- ▶ Select the preferred brightness of the cabin light by pressing and holding the Minus [5] or Plus [6] buttons.
- ▶ If you briefly press the Plus button [6], the cabin light switches to maximum (100).
- ▶ If you briefly press the Minus button [5], the cabin light switches off (0).



If the external light switch is switched on, the cabin light remains at full brightness. If you wish to dim the light using the control unit, the external light switch must be in the OFF position.

### 9.13. Setting the preset time

The preset time can be set in hours (1 to 24).

The controller must be set to standby mode for this.

Press the On/Off [4] and Plus [6] buttons simultaneously for 3 seconds.

- ▶ The time that was most recently set flashes in the display [1].

Select the preferred preset time using the Minus [5] and Plus [6] buttons (OFF, 1–24).

Press the Mode button [7] to switch to *FIN* or *HUM* mode and press the On/Off button [4] to confirm.

- ▶ The display [1] shows the selected preset time.
- ▶ The standby [8] and timer [10] indicator lamps light up.

After the time has elapsed, the selected operating mode starts.



---

After a power failure or if the sauna is switched on manually, the preset time is deactivated

---

### 9.14. ECO mode

ECO Mode ensures that the cabin temperature is the same when you come back after a break. The following modes are available:

- ECO20 for a 20 minute sauna break
- ECO40 for a 40 minute sauna break
- ECO60 for a 60 minute sauna break

The controller must be set to *HUM* mode for this.

Press the Mode button [7] until the temperature indicator lamp [9] lights up.

- ▶ The display [1] shows the selected temperature.
- ▶ The standby [8] and temperature [9] indicator lamps light up.

Press the Plus [6] and Minus [5] buttons simultaneously for 3 seconds.

Use the Minus [5] and Plus [6] buttons to select the preferred ECO mode (OFF, E20, E40, E60).

Press the Mode button [7] to confirm the selection and start the break.

## 9.15. Activating standby for remote operation

EN 60335-2-53 specifies that sauna control units with a remote start function must be set manually to “Standby for remote operation” mode. This activation must take place again after each remote start and stop procedure. Perform the following steps:

Make sure that the sauna control unit is in standby mode.

Press the On/Off button **[4]** and the Mode button **[7]** simultaneously for around 3 seconds.

- ▶ “rc” (remote control) flashes in the display **[1]**.
- ▶ The sauna control unit is then ready to be started and stopped using a remote start signal.
- ▶ After a remote start and stop, the “rc” display and the remote start symbol goes out and the mode has to be activated again.



To cancel the “Standby for remote control” function, press the On/Off button **[4]** for around 3 seconds.

## 9.16. Remote start release

The function of the remote start output is selected with the remote start release (note EN60335-2-53) Connection: see “5.14 Connecting the remote start” on page 21.

- By default, the remote start release is set to OFF. The remote start is activated using “Standby for remote control”.
- If you want to enable the remote start output for various devices (such as a coin box, remote start system, door monitoring), proceed as follows:

The controller must be set to standby mode when this is programmed.

Press the On/Off **[4]** and Minus **[5]** buttons simultaneously for 3 seconds.

This takes you to the heating time menu.

Press the Mode button **7** to open the language menu.

Change to remote start release with the Mode button **7**.

Make your selection here using the Minus **[5]** / Plus **[6]** buttons.

Confirm your selection using the Mode button **[7]**.

## 9.17. Activating an additional control unit

Up to four control units can be connected (see “5.3. Connecting the control unit” on page 18).

Switch on the controller (standby indicator lamp **8** lights up).

Unplug the data cable of the additional control unit. Press and hold the Minus **5** and Plus **6** buttons on the unplugged control unit while plugging the data cable back in.

- ▶ The bus address that was most recently set flashes in the display **1**.

Use the Minus **5** and Plus **6** buttons to select the corresponding bus address (0 to 3). Confirm your selection using the Mode button **7**.

Please note that the controller has to be switched off for 10 seconds after this change so that the setting is saved.



If you are using several control units, you have to assign a bus address to each one of them. Address 0 is the default value. Each address (0–3) can only be used once.

## 9.18. Setting the acoustic signal

The acoustic signal can be set for the following functions:

To do this, the controller must be set to *FIN* or *HUM* mode.

Press the Mode button **7** until the timer indicator lamp **10** lights up.

- ▶ The value of the set function flashes in the display **1**.

Select the preferred value using the Minus **5** and Plus **6** buttons. Confirm your selection using the Mode button **7**.

<i>Value</i>	<i>Function</i>	<i>Function description</i>
0	Quiet	No acoustic signal
1	Timer	Timer active for 1 second after expiry
2	Low water	Continuous tone when water is low
3	Timer + low water	Both functions active (= default)

## 9.19. Activating the rolling display

Rolling display means that the temperature and humidity (optional) are shown alternately in the display **[1]** (10 second interval)

To do this, the controller must be set to *FIN* or *HUM* mode.

Press the Mode button **[7]** until the light indicator lamp **[2]** lights up.

Press the Minus **[5]** and Plus **[6]** buttons simultaneously for 3 seconds.

- ▶ OFF flashes in the display **[1]** (= default)

Press the Plus **[6]** button to switch to ON. Confirm your selection using the Mode button **[7]**.

- ▶ The standby indicator lamp **[8]** lights up.

## 9.20. Setting the post-drying programme

You can set the duration and temperature of the post-drying programme.

The controller must be set to *HUM* mode for this.

Press the Mode button **[7]** until the humidity indicator lamp **[3]** lights up.

Press the Plus **[6]** and Minus **[5]** buttons simultaneously for 3 seconds.

- ▶ 0 flashes in the display **[1]** (= default)

You can now adjust the temperature value if necessary using the Plus/Minus buttons (-9 to +9).

Press the Mode button **[7]**.

- ▶ The standby **[8]**, timer **[10]** and humidity **[3]** indicator lamps light up.
- ▶ The set post-drying time for heating and fan flash in the display **[1]** (0–120 min; default 15 min)

Select the preferred value using the Minus **[5]** and Plus **[6]** buttons.

Press the Mode button **[7]**.

- ▶ The standby **[8]** and timer **[10]** indicator lamps light up.
- ▶ The set time for post-drying without heating but with fan flashes in the display **[1]** (0–30 min; default 15 min)

Select the preferred value using the Minus [5] and Plus [6] buttons. Press the Mode button [7].

- ▶ The standby [8] and temperature [9] indicator lamps light up.
- ▶ The set temperature for post-drying flashes in the display [1] (70–90 °C; default 80 °C)

Select the preferred value using the Minus [5] and Plus [6] buttons. Confirm your selection using the ON/OFF button [4].

## 9.21. Switching off the sauna controller

If you will not be using the sauna controller for an extended period of time, switch it off at the main switch [11].

# 10. Cleaning and maintenance

## 10.1. Cleaning

---

### ATTENTION!

#### *Damage to the unit*

The sauna controller is resistant to splashing water, but direct contact with water could still damage it.

- NEVER immerse the device in water.
- Do not pour water over the device.
- Do not get the device too wet when cleaning it.

- 
1. Soak a cleaning cloth in a mild, soapy water.
  2. Wring out the cloth well.
  3. Carefully wipe the housing of the sauna controller.

## 10.2. Maintenance

The sauna controller does not require any maintenance.

# 11. Disposal



- Dispose of packaging materials in accordance with the applicable waste disposal regulations.
- Used devices contain reusable materials as well as hazardous substances. Therefore, do not dispose of your used device with household waste, but do so in accordance with the locally applicable regulations.

## 12. Troubleshooting

### 12.1. Error messages

The sauna controller is equipped with diagnostic software which monitors system statuses when it is switched on and during operation. As soon as the diagnostic software identifies an error, the sauna controller switches off the sauna heater.

The operating symbols flash and an error number appears in the display 1. Switch off the sauna controller using the main switch and rectify the fault before switching it on again.

The following table describes the possible faults and their causes. If necessary, quote the error number to your customer service specialist.

Fault No.	Description	Remedy/cause
-5	No control unit connected.	No control unit has been connected, or the contact is poor.
-10	No control unit is connected although at least one was detected during start-up.	Check contact to control unit.
-21	Heater temperature sensor broken.	Defective temperature sensor or poor contact.
-22	Heater temperature sensor short circuit.	Defective temperature sensor or short circuit.
-24	Bench temperature sensor broken.	Defective temperature sensor or poor contact.
-25	Bench temperature sensor short circuit.	Defective temperature sensor or short circuit.
-26	Humidity sensor broken.	Defective humidity sensor or poorly/incorrectly connected.
-27	Humidity sensor short circuit.	Defective humidity sensor, poorly/incorrectly connected or short circuit.
-30	Thermal fuse defective.	Defective heater sensor, poor contact or thermal fuse not connected.

## 12.2. Fuses

Fuses for the electronics and light are located in the connection area of the basic module. They can be ordered with the item number 1-30-174 (pack of 10).

There is a fuse for the fan on the expansion board.

## 12.3. Temperature correction

It is possible to correct the displayed temperature value. This is possible within a range of  $-9\text{ }^{\circ}\text{C}/+9\text{ }^{\circ}\text{C}$ .

The controller must be set to *HUM* mode for this.

Press the Mode button **[7]** until the temperature indicator lamp **[9]** lights up.

Press the Plus **[6]** and Minus **[5]** buttons simultaneously for 3 seconds.

- ▶ OFF flashes in the display **[1]**.

Press the ON/OFF **[4]** and Mode **[7]** buttons simultaneously for 3 seconds.

- ▶ 0 flashes in the display **[1]** (= default)

You can now adjust the displayed temperature value using the Plus **[6]** and Minus **[5]** buttons ( $\Delta t$ :  $-9$  to  $+9\text{ }^{\circ}\text{C}$ ).

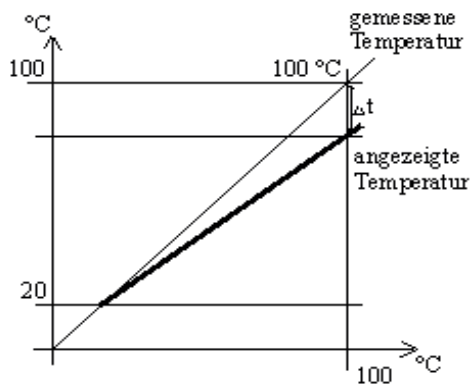


Fig. 7: Temperature correction



## 13. Technical data

### **Ambient conditions**

---

Storage temperature:	-25 °C to +70 °C
Air humidity:	max. 95% non-condensing

### **Power unit**

---

Dimensions (W × H × D):	320 × 220 × 110 mm
Ambient temperature:	0 °C to +50 °C
Voltage rating/three-phase 3N:	400 V AC
Frequency:	50 Hz
Power rating/heater:	3 × 3.7 kW
Current rating per phase/heater:	16 A
Power rating/evaporator (optional):	3 kW
Current rating/evaporator (optional):	16 A
IP code:	IP65
Fuse:	1 A T
Connection to the mains supply as fixed wiring (fixed connection)	

### **Control unit**

---

Connection cable:	RJ10 – 4-core
Dimensions (W × H × D):	92 × 120 × 44.5 mm
Ambient temperature:	0 °C to +100 °C
Installation cut-out (Ø × T):	Ø 70 × 35 mm
IP code:	IP54

### **Light**

---

Power rating:	100 W
Fuse:	1 A T

### **Fan**

---

Power rating:	100 W
Fuse:	4 A T

---

**Setting ranges**

---

Temperature:	30 °C to 110 °C
Humidity:	30% to 99%

The maximum humidity that can be set depends on the temperature of the sauna. The higher the sauna temperature, the lower the maximum humidity level which can be set.

---

**Thermal safety**

---

Heater sensor with overheat cut-out (139 °C cut-out temperature)

Adjustable automatic heating time limit (1 to 12 hours)\*

Optional single-sensor mode or two-sensor mode

---

**Connection cables**

---

Sensor cables (temperature-resistant up to 150 °C):	0.5 mm <sup>2</sup>
Light cable:	1.5 mm <sup>2</sup>
Fan cable:	1.5 mm <sup>2</sup>

\* EN 60335-2-53 specifies a heating time limit of 6 hours for private saunas. For saunas in hotels, apartment blocks and similar locations, a maximum heating time limit of 12 hours is permissible.

# Saunasteuerung

# wave.com4 11kW

MONTAGE- UND GEBRAUCHSANWEISUNG  
Deutsch



WC4-B-D/W/S



WC4-B-11

DE

wave.com 4 Basismodul 11kW

1-049-633 / WC4-B-11

wave.com 4 Bedienteil dunkles Holz

1-008-128 / WC4-B-D

wave.com 4 Bedienteil schwarz

1-010-433 / WC4-B-S

wave.com 4 Bedienteil weiß

1-010-433 / WC4-B-W

# Inhaltsverzeichnis

<b>1. Zu dieser Anleitung</b>	<b>5</b>
<b>2. Wichtige Hinweise zu Ihrer Sicherheit</b>	<b>6</b>
2.1. Bestimmungsgemäßer Gebrauch	6
2.2. Sicherheitshinweise für den Monteur	7
2.3. Sicherheitshinweise für den Anwender	8
<b>3. Produktbeschreibung</b>	<b>9</b>
3.1. Lieferumfang	9
3.2. Nicht im Lieferumfang enthalten	9
3.3. Optionales Zubehör	9
3.4. Produktfunktionen	10
3.5. Sauna-Betriebsarten	11
3.6. Fühler-Betriebsarten	11
<b>4. Montage</b>	<b>13</b>
4.1. Montage des Leistungsteils	13
4.2. Hauptschalter montieren	13
4.3. Kabinenlicht/ Lichtschalter montieren	13
4.4. Montage der Erweiterungsplatine (optional)	14
4.5. Bedienteil montieren	14
4.6. Ofenfühler F1 mit Übertemperatur-Sicherung montieren	15
4.8. Bankfühler F2 montieren (optional)	16
4.9. Feuchtefühler WC4-H-H montieren (optional)	16
4.7. Feuchte-Temperatursensor FTS2 montieren (optional)	16
<b>5. Elektrischer Anschluss</b>	<b>17</b>
5.1. Versorgungsleitung und Ofen anschließen	18
5.2. Verdampfer anschließen (optional)	18
5.3. Bedienteil anschließen	18

5.4. Externen Hauptschalter anschließen.....	19
5.5. Licht anschließen.....	19
5.6. Externen Lichtschalter anschließen.....	19
5.7. Lüfter anschließen (optional).....	19
5.8. Ofenfühler F1 anschließen.....	20
5.9. Feuchte-Temperatursensor FTS2 anschließen (optional).....	20
5.10. Bankfühler F2 anschließen (optional).....	20
5.11. Feuchtefühler WC4-H-H anschließen (optional).....	21
5.12. Dummyfühler anschließen (optional).....	21
5.13. Leistungserweiterung anschließen (optional).....	21
5.14. Fernstart anschließen .....	21
5.15. Installation abschließen.....	22
<b>6. Prüfungen durchführen.....</b>	<b>22</b>
<b>7. Anschlussplan.....</b>	<b>23</b>
7.1. Anschlussplan Basismodul.....	23
7.2. Anschlussplan Erweiterungsplatine (optional).....	24
<b>8. Bedien- und Anzeigeelement.....</b>	<b>25</b>
<b>9. Bedienung.....</b>	<b>26</b>
9.1. Einschalten.....	26
9.2. Heizzeit einstellen.....	26
9.3. Sprache einstellen.....	26
9.4. Licht einschalten (Reinigungslicht).....	27
9.5. Betriebsart wählen.....	27
9.6. Sauna-Betrieb <b>FIN</b> starten.....	27
9.7. Sauna-Betrieb <b>FIN</b> ausschalten.....	28
9.8. Kombi-Betrieb <b>FEU</b> starten.....	28
9.9. Kombi-Betrieb <b>FEU</b> ausschalten.....	28
9.10. Nachtrockenprogramm abrechnen.....	29

9.11. Timer einstellen.....	29
9.12. Licht dimmen.....	29
9.13. Vorwahlzeit einstellen.....	30
9.14. ECO-Modus.....	30
9.15. Standby für Fernwirken aktivieren.....	31
9.16. Fernstart-Freigabe.....	31
9.17. Zusätzliches Bedienteil aktivieren.....	32
9.18. Akustisches Signal einstellen.....	32
9.19. Anzeigenwechsel einschalten.....	33
9.20. Nachtrockenprogramm einstellen.....	33
9.21. Saunasteuerung ausschalten.....	34
<b>10.Reinigung und Wartung.....</b>	<b>34</b>
10.1. Reinigung.....	34
10.2. Wartung.....	34
<b>11.Entsorgung.....</b>	<b>34</b>
<b>12.Problemlösung.....</b>	<b>35</b>
12.1. Fehlermeldungen.....	35
12.2. Sicherungen.....	36
12.3. Temperaturkorrektur.....	36
<b>13.Technische Daten.....</b>	<b>37</b>

## 1. Zu dieser Anleitung

Lesen Sie diese Montage- und Gebrauchsanweisung gut durch und bewahren Sie diese in der Nähe der Saunasteuerung auf. So können Sie jederzeit Informationen zu Ihrer Sicherheit und zur Bedienung nachlesen.



Sie finden diese Montage- und Gebrauchsanweisung auch im Downloadbereich unserer Webseite auf [www.sentiotec.com/downloads](http://www.sentiotec.com/downloads).

### **Symbole in Warnhinweisen**

In dieser Montage- und Gebrauchsanweisung ist vor Tätigkeiten, von denen eine Gefahr ausgeht, ein Warnhinweis angebracht. Befolgen Sie diese Warnhinweise unbedingt. So vermeiden Sie Sachschäden und Verletzungen, die im schlimmsten Fall sogar tödlich sein können.

In den Warnhinweisen werden Signalwörter verwendet, die folgende Bedeutungen haben:



#### **GEFAHR!**

Wenn Sie diesen Warnhinweis nicht beachten, sind Tod oder schwere Verletzungen die Folge.



#### **WARNUNG!**

Wenn Sie diesen Warnhinweis nicht beachten, können Tod oder schwere Verletzungen die Folge sein.



#### **VORSICHT!**

Wenn Sie diesen Warnhinweis nicht befolgen, können leichte Verletzungen die Folge sein.

#### **ACHTUNG!**

Dieses Signalwort warnt Sie vor Sachschäden.

### **Andere Symbole**



Dieses Symbol kennzeichnet Tipps und nützliche Hinweise.

## **2. Wichtige Hinweise zu Ihrer Sicherheit**

Die Saunasteuerung wave.com4 11kW ist nach anerkannten sicherheitstechnischen Regeln gebaut. Dennoch können bei der Verwendung Gefahren entstehen. Befolgen Sie deshalb die folgenden Sicherheitshinweise und die speziellen Warnhinweise in der Montage- und Gebrauchsanweisung. Beachten Sie auch die Sicherheitshinweise der angeschlossenen Geräte.

### **2.1. Bestimmungsgemäßer Gebrauch**

Die Saunasteuerung wave.com4 11kW dient ausschließlich zum Steuern und Regeln der Funktionen gemäß den technischen Daten.

Die Saunasteuerung darf nur zum Steuern und Regeln von 3 Heizkreisen mit maximal 3,7 kW Heizleistung pro Heizkreis eingesetzt werden.

Bei Verwendung der optionalen wave.com4 Erweiterungsplatine (WC4-H-PCB) ist die maximale Verdampferleistung 3,0 kW.

Laut EN 60335-2-53 dürfen Saunasteuerungen mit Fernwirken nur zum Steuern und Regeln eines Saunaofens, der die Abdeckprüfung nach Absatz 19.101 besteht, verwendet werden. Alternativ muss eine entsprechende Sicherheitsvorkehrung (z.Bsp.: Sicherheitsabschaltung, Türkontakt...) installiert werden.

Jeder darüber hinausgehende Gebrauch gilt als nicht bestimmungsgemäß. Nicht bestimmungsgemäßer Gebrauch kann zur Beschädigung des Produkts, zu schweren Verletzungen oder Tod führen. Bei nicht bestimmungsgemäßem Gebrauch entfällt die Gewährleistung.



## 2.2. Sicherheitshinweise für den Monteur

- Der elektrische Anschluss darf nur durch eine Elektrofachkraft oder eine vergleichsweise qualifizierte Person ausgeführt werden. Beachten Sie, dass im Falle eines Gewährleistungsanspruches eine Kopie der Rechnung des ausführenden Elektrofachbetriebes vorzulegen ist.
- Arbeiten an der Saunasteuerung dürfen nur im spannungsfreien Zustand durchgeführt werden.
- Es ist bauseits eine allpolige Trennvorrichtung mit voller Abschaltung entsprechend der Überspannungskategorie III vorzusehen.
- Das Leistungsteil der wave.com4 11kW (WC4-B-11) ist unter Beachtung der Technischen Daten zu montieren.
- Das Bedienteil darf innerhalb und außerhalb der Sauna montiert werden, allerdings müssen die Vorgaben der beiliegenden Montage- und Gebrauchsanweisung unbedingt beachtet werden
- Beachten Sie auch die örtlichen Bestimmungen am Aufstellort.
- Bei Problemen, die in den Montageanweisungen nicht ausführlich genug behandelt werden, wenden Sie sich zu Ihrer eigenen Sicherheit an Ihren Lieferanten.

### 2.3. Sicherheitshinweise für den Anwender

- Die Saunasteuerung darf nicht von Kindern unter 8 Jahren verwendet werden.
- Die Saunasteuerung darf von Kindern über 8 Jahren, von Personen mit verringerten psychischen, sensorischen oder mentalen Fähigkeiten und von Personen mit Mangel an Erfahrung und Wissen unter folgenden Bedingungen verwendet werden:
  - wenn sie beaufsichtigt werden
  - wenn ihnen die sichere Verwendung gezeigt wurde und sie die Gefahren, die entstehen können, verstehen.
- Kinder dürfen nicht mit der Saunasteuerung spielen.
- Kinder unter 14 Jahren dürfen die Saunasteuerung nur reinigen, wenn sie beaufsichtigt werden.
- Wenn Sie unter dem Einfluss von Alkohol, Medikamenten oder Drogen stehen, verzichten Sie aus gesundheitlichen Gründen auf das Saunabad.
- Stellen Sie sicher, dass keine brennbaren Gegenstände auf dem Saunaofen liegen, bevor Sie die Saunasteuerung einschalten.
- Stellen Sie sicher, dass keine brennbaren Gegenstände auf dem Saunaofen liegen, bevor Sie die Vorwahlzeitfunktion oder den Standby-Modus für den Fernstart aktivieren.
- Bei Problemen, die in der Gebrauchsanweisung nicht ausführlich genug behandelt werden, wenden Sie sich zu Ihrer eigenen Sicherheit an Ihren Lieferanten.

## 3. Produktbeschreibung

Die Saunasteuerung wave.com4 11kW ist eine zweiteilige Saunasteuerung. Für die Funktion sind immer ein Leistungsteil Basismodul (WC4-B-11), ein Bedienteil (WC4-B-S, WC4-B-D oder WC4-B-W) und ein Ofenfühler (WC4-B-F1D oder WC4-B-F1H) notwendig.

### 3.1. Lieferumfang

- Leistungsteil (1-049-633 / WC4-B-11)
- Montage- und Bedienungsanleitung

### 3.2. Nicht im Lieferumfang enthalten

- Hauptschalter (Handelsüblicher Schalter 230V)
- Lichtschalter (Handelsüblicher Schalter 230V)
- Bedienteil dunkles Holz (1-008-128 / WC4-B-D) oder Bedienteil schwarz (1-010-389 / WC4-B-S) oder Bedienteil weiß (1-010-437 / WC4-B-W)
- Ofenfühler helles Holz (1-013-651 / WC4-B-F1H) , Fühlerleitungen 5 m oder Ofenfühler dunkles Holz (1-003-479 / WC4-B-F1D), Fühlerleitungen 5 m

### 3.3. Optionales Zubehör

- Erweiterungsplatine für Feuchte, Bankfühler (1-003-472 / WC4-H-PCB)
- Bankfühler WC4 dunkles Holz (1-003-295 / WC4-H-F2D), Fühlerleitungen 5 m
- Bankfühler WC4 helles Holz (1-013-662 / WC4-H-F2H), Fühlerleitungen 5 m
- Feuchtefühler dunkles Holz (1-003-364 / WC4-H-HD), Fühlerleitungen 5 m
- Feuchtefühler helles Holz (1-013-669 / WC4-H-HH), Fühlerleitungen 5 m
- Feuchte-Temperatursensor (1-010-081 / O-FTS2), Fühlerleitungen 6 m
- Sensorgehäuse für FTS2 dunkles Holz (1-041-521 / SC-FTS2-D)
- Sensorgehäuse für FTS2 helles Holz (1-041-520 / SC-FTS2-D)
- Y-Adapter RJ10 4-polig (1-028-167 / WC4-C-ADY)
- Leistungserweiterung (1-008-779 / O-S2-18, 1-009-280 / O-S2-30)
- Sicherheitsabschaltung (SFE-xxxxx)
- Fernstart-System (1-051-003 / FS-SY)
- Türsensor-System (1-052-722 / SAB00102)

### 3.4. Produktfunktionen

Die Saunasteuerung wave.com4 11kW verfügt über folgende Funktionen:

- Regeln von Saunaöfen mit einer Heizleistung bis 11 kW
- Mit der Erweiterungsplatine Regeln von Kombiöfen mit einer Heizleistung bis 11 kW und einer Verdampferleistung bis 3 kW.
- Mit einer Leistungserweiterung kann die maximale Schaltleistung von 11 kW erhöht werden.
- Anschlussmöglichkeit eines externen Hauptschalters
- Anschlussmöglichkeit eines externen Lichtschalters
- Schalten und Dimmen eines Kabinenlichts (bis 100 W Glühlampe)
- Schalten eines Lüfters (bis 100 W)
- Automatische Heizzeitbegrenzung  
Die Saunasteuerung schaltet sich nach Ablauf der maximalen Heizzeit aus Sicherheitsgründen automatisch ab (1 bis 12 Stunden)
- Vorwahlzeitfunktion (1 bis 24 Stunden)
- Akkustisches Signal für Zeitintervall (z.Bsp.: Aufgussignal)
- Nachtrockenprogramm  
Nach dem Kombi-Betrieb wird automatisch das Nachtrockenprogramm gestartet, um Schimmel- und Fäulnisbildung in der Saunakabine zu verhindern. (3 Einstellmöglichkeiten).
- Fernstartfunktion
- Eco-Modus  
Der Eco-Modus ermöglicht, nach einer Pause (20, 40, 60 Min.), dieselbe Kabinentemperatur vorzufinden.
- Übertemperatur-Sicherung  
Die Übertemperatur-Sicherung befindet sich im Fühlergehäuse des Ofenfühlers. Wenn der Saunaofen durch einen Defekt nach Erreichen der Wunschtemperatur weiterheizt, schaltet die Übertemperatur-Sicherung bei ca. 139 °C den Saunaofen automatisch ab.

### 3.5. Sauna-Betriebsarten

#### **Sauna-Betrieb**

Im Sauna-Betrieb steht trockene Wärme zur Verfügung. Die Temperatur in der Kabine ist hoch (80 bis 100 °C). Die Feuchtwerte sind mit maximal 10 % gering.

#### **Kombi-Betrieb (optional - mit Erweiterungsplatine)**

Im Kombi-Betrieb ist neben dem Saunaofen auch der Verdampfer im Betrieb. Die Temperatur in der Saunakabine ist niedriger (ca. 40 bis 65 °C) als im Sauna-Betrieb, dafür ist die relative Luftfeuchte mit 35 % bis ungefähr 70 % wesentlich höher. Dabei ist die maximal einstellbare Soll-Feuchte von der Saunatemperatur abhängig. Je höher die Saunatemperatur, desto niedriger ist der maximal einstellbare Feuchtwert (siehe Abb.1)

### 3.6. Fühler-Betriebsarten

Die Saunasteuerung wave.com4 11kW kann mit einem, zwei oder drei Fühlern betrieben werden.

#### **Ein-Fühlerbetrieb (F1)**

Der Ein-Fühlerbetrieb ist ab Werk aktiviert.

Im Ein-Fühlerbetrieb wird die Saunasteuerung nur mit dem Ofenfühler mit Über-temperatur-Sicherung betrieben.

Die Saunasteuerung zeigt standardmäßig die Ist-Temperatur an. Die Soll-Temperatur wird während dem Einstellen angezeigt.

Der maximal einstellbare Feuchtwert (optional - mit Erweiterungsplatine) richtet sich im Ein-Fühlerbetrieb nach der Temperatur über dem Ofen und die Feuchte wird getaktet. Im Display der Saunasteuerung wird nur der Sollwert für die Feuchte (in % relative Luftfeuchtigkeit) angezeigt. Die tatsächliche Feuchte in der Saunakabine ist bei getakteter Feuchte abhängig von der Kabinengröße und der Verdampferleistung und kann vom eingestellten Sollwert abweichen.

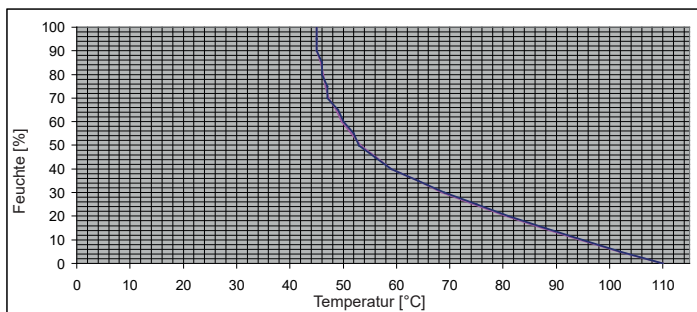


Abb. 1: Kennlinie Feuchte über Temperatur

**Zwei-Fühlerbetrieb mit Feuchte-Temperatursensor (FTS2)  
(optional - mit Erweiterungsplatine)**

Im Zwei-Fühlerbetrieb mit Feuchte-Temperatursensor zeigt die Saunasteuerung als Ist-Temperatur jene Temperatur an, die vom Feuchte-Temperatursensor gemessen wird.

Im Zwei-Fühlerbetrieb mit Feuchte-Temperatursensor wird der Verdampfer entsprechend der in der Kabine gemessenen Feuchte geregelt. Im Display der Saunasteuerung wird die tatsächliche Feuchte in der Saunakabine (in % relative Luftfeuchtigkeit) angezeigt.

**Zwei-Fühlerbetrieb mit Bankfühler (F2)  
(optional - mit Erweiterungsplatine)**

Im Zwei-Fühlerbetrieb mit Bankfühler wird ein zweiter Temperaturfühler (Bankfühler) oberhalb der hinteren Saunabank montiert. Die Saunasteuerung zeigt als Ist-Temperatur jene Temperatur an, die vom Bankfühler gemessen wird.

Im Zwei-Fühlerbetrieb mit Bankfühler wird die Feuchte getaktet. Im Display der Saunasteuerung wird nur der Sollwert für die Feuchte (in % relative Luftfeuchtigkeit) angezeigt. Die tatsächliche Feuchte in der Saunakabine ist bei getakteter Feuchte abhängig von der Kabinengröße und der Verdampferleistung und kann vom eingestellten Sollwert abweichen.

**Zwei-Fühlerbetrieb mit Feuchtefühler (WC4-H-H)  
(optional - mit Erweiterungsplatine)**

Im Zwei-Fühlerbetrieb mit Feuchtefühler zeigt die Saunasteuerung die Ist-Temperatur jene Temperatur an, die vom Ofenfühler gemessen wird. Der Verdampfer wird entsprechend der in der Kabine gemessenen Feuchte geregelt. Im Display der Saunasteuerung wird die tatsächliche Feuchte in der Saunakabine (in % relative Luftfeuchtigkeit) angezeigt.

**Dreifühler-Betrieb mit Bankfühler (F2) und Feuchtefühler (WC4-H-Hx)  
(optional - mit Erweiterungsplatine)**

Im Drei-Fühlerbetrieb mit Bankfühler und Feuchtefühler zeigt die Saunasteuerung als Ist-Temperatur jene Temperatur an, die vom Bankfühler gemessen wird.

Im Drei-Fühlerbetrieb wird der Verdampfer entsprechend der in der Kabine gemessenen Feuchte geregelt. Im Display der Saunasteuerung wird die tatsächliche Feuchte in der Saunakabine (in % relative Luftfeuchtigkeit) angezeigt.

## 4. Montage

Beachten Sie bei der Montage die Technischen Daten auf siehe Seite 37:

---

### ACHTUNG!

#### **Störquellen beeinträchtigen die Signalübertragung**

- Verlegen Sie alle Fühlerleitungen getrennt zu anderen Netzleitungen und Steuerleitungen.
- Schützen Sie einfach isolierte Leitungen durch ein Rohr (Doppelisolation).



Alle Fühler dürfen nur mit den beiliegenden Fühlerleitungen, die bis 150 °C temperaturbeständig sind, angeschlossen werden.

- Die Länge der Ofenfühler-Leitungen darf 10 m NICHT überschreiten.
  - Außerhalb der Kabine dürfen die Fühlerleitungen mit nicht temperaturbeständigen Leitungen verlängert werden.
- 

### 4.1. Montage des Leistungsteils

Beachten Sie Abb. 2 auf Seite 14.

---

### ACHTUNG!

#### **Schäden am Gerät**

Die Saunasteuerung ist spritzwassergeschützt, trotzdem kann direkter Kontakt mit Wasser das Gerät beschädigen.

- Montieren Sie die Saunasteuerung an einem Ort, an dem eine maximale Luftfeuchte von 95% nicht überschritten wird - kein Nassraum.
  - Bei Montage in der Saunakabine dürfen die Kabeldurchführungen nicht nach oben zeigen!
- 

Zur Montage des Leistungsteils 1 führen Sie folgende Schritte durch:

1. Nehmen Sie den Deckel des Leistungsteils ab.
2. An den 4 Ecken des Chassis können Sie das Leistungsteil am Untergrund befestigen (siehe Pfeile Abb. 4 auf Seite 17)

### 4.2. Hauptschalter montieren

Beachten Sie dabei die Bedienungsanleitung des Schalters.

### 4.3. Kabinenlicht/ Lichtschalter montieren

Beachten Sie dabei die Bedienungsanleitung des Schalters.

#### 4.4. Montage der Erweiterungsplatine (optional)

1. Verbinden Sie die Erweiterungsplatine durch Ankleben der vormontierten Leitungen (L-N-PE) und dem Flachbandkabel mit der Basisplatine.
2. Fixieren Sie die Erweiterungsplatine mit den beiliegenden Schrauben.

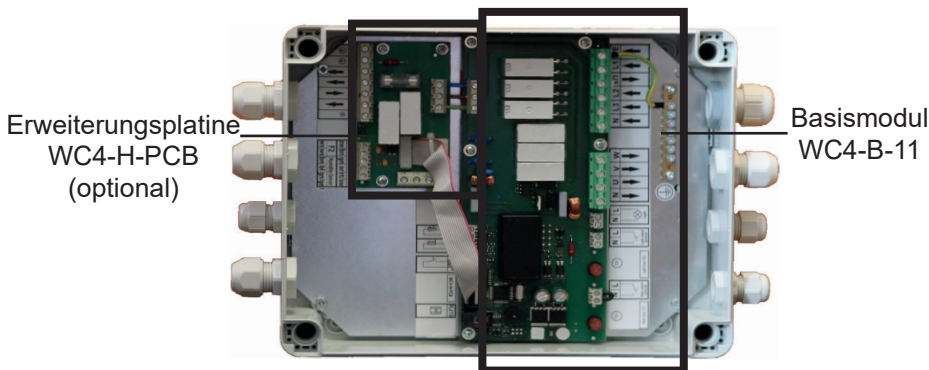


Abb. 2: Wave.com4 11kW Leistungsteil

#### 4.5. Bedienteil montieren

Das Bedienteil **[2]** wird an der Kabinenwand im maximalen Abstand von 10 Metern zum Leistungsteil **[1]** montiert. Berücksichtigen Sie die Leitungsführung für das Datenkabel.

##### **ACHTUNG!**

##### **Schäden am Gerät**

- Das Bedienteil **[2]** der Saunasteuerung ist spritzwassergeschützt (Schutzgrad IPX4).
- Die Montage darf nur mit einem Schraubendreher durchgeführt werden. Bei Verwendung eines Akkuschraubers besteht die Gefahr, dass das Gehäuse irreparabel beschädigt wird!
- Bei Montage innerhalb der Saunakabine ist ein Mindestabstand von 30 cm zur Kabinendecke einzuhalten.

1. Mit beispielsweise einem Dosenbohrer  $\varnothing 70 \times 35$  mm die Ausnehmung für das Bedienteil schneiden.
2. Verbinden Sie den 4-poligen Stecker mit der RJ10 Buchse des Bedienteils.
3. Gehäuse durch die Bohrung mit den 4 beiliegenden Holzschrauben an die Kabinenwand schrauben.



## 4.6. Ofenfühler F1 mit Übertemperatur-Sicherung montieren

Beachten Sie bei der Montage des Ofenfühlers folgende Punkte:

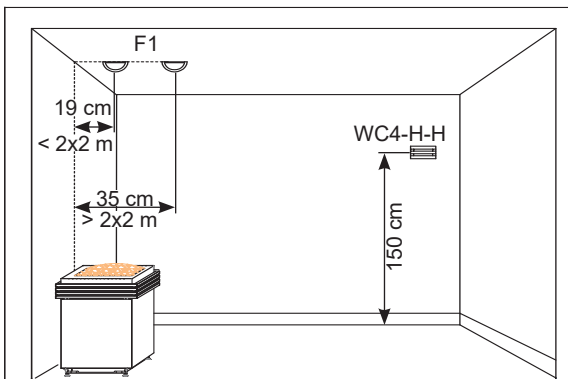
- Der Ofenfühler ist an der Kabinendecke oberhalb der Mitte des Saunaofens zu montieren. Dabei ist bei Kabinen bis 2 x 2 m ein Abstand von 19 cm zur Kabinenwand einzuhalten, bei größeren Kabinen ein Abstand von 35 cm.
- Der Ofenfühler ist so anzubringen, dass er nicht durch einströmende Luft beeinflusst wird.



Achten Sie darauf, dass beim Einziehen der Fühlerleitungen keine Leitung beschädigt wird!

Zur Montage des Ofenfühlers führen Sie folgende Schritte durch (siehe **Abb. 3**):

1. Durchbohren Sie die Kabinendecke mit einem 8 mm Bohrer.
2. Ziehen Sie die beiden 2-poligen Ofenfühler-Leitung durch die Bohrung.
3. Fixieren Sie das Fühlergehäuse mit den beiliegenden Holzschrauben.
4. Verlegen Sie die beiden 2-poligen Ofenfühler-Leitung bis zum Leistungsteil und fixieren Sie die Ofenfühler-Leitungen mit Leitungsschellen.
5. Prüfen Sie, ob der Ofenfühler gut fixiert ist.



**Abb. 3: Montage Fühler**

#### 4.7. Feuchte-Temperatursensor FTS2 montieren (optional)

Der Feuchte-Temperatursensor ist an der Kabinenwand oberhalb der hinteren Sitzbank zu montieren. Dabei ist ein Abstand von zirka 15 cm zur Kabinendecke einzuhalten. Beachten Sie die Montageanleitung des Fühlers.



Für den Feuchte-Temperatursensor ist optional ein Holzgehäuse erhältlich.

#### 4.8. Bankfühler F2 montieren (optional)

Der Bankfühler ist an der Kabinenwand oberhalb der hinteren Sitzbank zu montieren. Dabei ist ein Abstand von zirka 15 cm zur Kabinendecke einzuhalten.

Zur Montage des Bankfühlers führen Sie folgende Schritte durch:

1. Durchbohren Sie die Kabinenwand mit einem 8 mm Bohrer.
2. Ziehen Sie die 2-polige Bankfühler-Leitung durch die Bohrung.
3. Fixieren Sie das Fühlergehäuse mit den beiliegenden Holzschrauben.
4. Verlegen Sie die 2-polige Bankfühler-Leitung bis zum Leistungsteil und fixieren Sie die Bankfühler-Leitung mit Leitungsschellen.
5. Prüfen Sie, ob der Bankfühler gut fixiert ist.

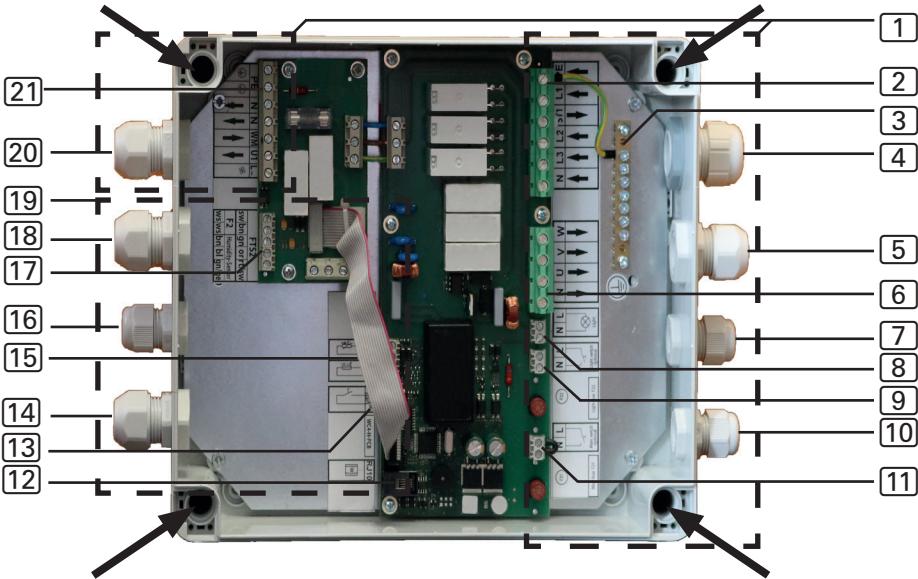
#### 4.9. Feuchtefühler WC4-H-H montieren (optional)

Der Feuchtefühler ist mittig an der vom Ofen weiter entfernten Seitenwand, in einer Höhe von ca. 150 cm zu montieren (Abb. 3 auf Seite 15).

Zur Montage des Feuchtefühlers führen Sie folgende Schritte durch:

1. Durchbohren Sie die Kabinenwand mit einem 8 mm Bohrer.
2. Ziehen Sie die 3-polige Feuchtefühler-Leitung durch die Bohrung.
3. Fixieren Sie das Fühlergehäuse mit den beiliegenden Holzschrauben.
4. Verlegen Sie die 3-polige Feuchtefühler-Leitung bis zum Leistungsteil und fixieren Sie die Feuchtefühler-Leitung mit Leitungsschellen.
5. Prüfen Sie, ob der Feuchtefühler gut fixiert ist.

## 5. Elektrischer Anschluss



**Abb. 4: Elektrischer Anschluss**

- |   |  |
|---|--|
| 1 Anschlussbereiche für 230 V / 400 V                       | 12 RJ10 Buchse für Datenkabel Bedienteil                                 |
| 2 Klemmleiste für Versorgungsleitung                        | 13 Klemmleiste für Fernstart   |
| 3 Erdungsschiene  | 14 Kabeldurchführung für RJ10 Datenkabel, F1/<br>F2-Fühler und Fernstart |
| 4 Kabeldurchführung für Versorgungsleitung                  | 15 Klemmleiste für F1-Fühler   |
| 5 Kabeldurchführung für Ofenleitung                         | 16 Kabeldurchführung für WC4-H-H / FTS2-Fühler                           |
| 6 Klemmleiste für Ofenleitung                               | 17 Klemmleiste für F2 / WC4-H-H / FTS2-Fühler                            |
| 7 Kabeldurchführung für Licht und Leistungs-<br>erweiterung | 18 Kabeldurchführung für Lüfter  |
| 8 Klemmleiste für Licht                                     | 19 Anschlussbereich für Kleinspannung                                    |
| 9 Klemmleiste für Lichtschalter                             | 20 Kabeldurchführung für Verdampferleitung                               |
| 10 Kabeldurchführung für Lichtschalter und<br>Hauptschalter | 21 Klemmleiste für Verdampferleitung und Lüfter                          |
| 11 Klemmleiste für Hauptschalter                            |  |



Beachten Sie „**5. Elektrischer Anschluss**“ auf Seite 17 und „**7.1. Anschlussplan Basismodul**“ auf Seite 23 und „**7.2. Anschlussplan Erweiterungsplatine (optional)**“ auf Seite 24.

### 5.1. Versorgungsleitung und Ofen anschließen

1. Führen Sie die Versorgungs- und Ofenleitung durch die Kabeldurchführungen **[4]** und **[5]** in den Anschlussbereich für 230 V / 400 V **[1]**.
2. Schließen Sie die Anschlussleitungen an die entsprechenden Klemmleisten **[2]**, **[6]** an. Beachten Sie dabei die Bedienungsanleitung der jeweiligen Geräte.

### 5.2. Verdampfer anschließen (optional)

1. Führen Sie die Verdampferleitung (optional mit Erweiterungsplatine ) durch die Kabeldurchführung **[20]** in den Anschlussbereich für 230 V / 400 V **[1]**.
2. Schließen Sie die Anschlussleitungen an die entsprechenden Klemmleisten **[21]** an. Beachten Sie dabei die Bedienungsanleitung des Verdampfers.



Wenn der Verdampfer nicht über eine automatische Wassermangel-Anzeige verfügt, verbinden Sie mit einer Drahtbrücke die Klemme „**U1**“ mit der Klemme „**WM**“ oder ändern Sie die Einstellung vom akustischen Signal (siehe Seite 32)

### 5.3. Bedienteil anschließen

1. Führen Sie das Anschlusskabel des Bedienteils durch die Kabeldurchführung **[14]** in den Anschlussbereich für Kleinspannung **[19]**.
2. Stecken Sie den Stecker des RJ-10-Kabels in die Anschlussbuchse **[12]**.



Die Saunasteuerungen wave.com4 11kW ermöglichen den Betrieb von bis zu 4 Bedienteilen an einem Leistungsteil. Verwenden Sie zum Anschluss der optionalen Bedienteile den Y-Adapter (siehe „3.2. Optionales Zubehör“ auf Seite 9) .

## 5.4. Externen Hauptschalter anschließen

Der Hauptschalter ist nicht im Lieferumfang enthalten.

1. Führen Sie die Anschlusskabel des Hauptschalters durch die Kabeldurchführung **10** in den Anschlussbereich für 230 V / 400 V **1**.
2. Schließen Sie die Leitung an die Klemmleiste **11** an. Beachten Sie dabei die Bedienungsanleitung des Schalters.



Im Auslieferungszustand sind die Kontakte gebrückt. Entfernen Sie die Drahtbrücke zur Montage

## 5.5. Licht anschließen

1. Führen Sie die Lichtleitung durch die Kabeldurchführung **7** in den Anschlussbereich für 230 V / 400 V **1**.
2. Schließen Sie die Lichtleitung an die Klemmleiste **8** an. Beachten Sie dabei die Bedienungsanleitung des Schalters.

## 5.6. Externen Lichtschalter anschließen

Der Lichtschalter ist nicht im Lieferumfang enthalten.

1. Führen Sie die Anschlusskabel des Lichtschalters durch die Kabeldurchführung **10** in den Anschlussbereich für 230 V / 400 V **1**.
2. Schließen Sie die Leitung an die Klemmleiste **9** an. Beachten Sie dabei die Bedienungsanleitung des Schalters.

## 5.7. Lüfter anschließen (optional)

1. Führen Sie die Lüfterleitung durch die Kabeldurchführung **18** in den Anschlussbereich für 230 V / 400 V **1**.
2. Schließen Sie die Lüfterleitung an die Klemmleiste **21** an. Beachten Sie dabei die Bedienungsanleitung des Lüfters.

## 5.8. Ofenfühler F1 anschließen

1. Führen Sie die Ofenfühler-Leitungen durch die Kabeldurchführung **[14]** in den Anschlussbereich für Kleinspannung **[19]**.
2. Schließen Sie die roten Ofenfühler-Leitungen (STB) an die Klemmen mit der Beschriftung „**R-R**“ in der Klemmleiste **[15]** an.
3. Schließen Sie die weißen Ofenfühler-Leitungen (F1) an die Klemmen mit der Beschriftung „**W-W**“ in der Klemmleiste **[15]** an.



Der getaktete Feuchte-Betrieb im Ein-Fühlerbetrieb erfordert die Montage des Dummyfühlers (siehe 5.12 auf Seite 21) .

## 5.9. Feuchte-Temperatursensor FTS2 anschließen (optional)

1. Führen Sie die Fühlerleitungen durch die Kabeldurchführung **[16]** in den Anschlussbereich für Kleinspannung **[19]**.
2. Schließen Sie die Temperatursensor-Leitungen an die Klemmen mit der Beschriftung „**FTS2: sw-br**“ in der Klemmleiste **[17]** an.
  - a. Schließen Sie die schwarze Leitung an Klemme „**sw**“ an.
  - b. Schließen Sie die braune Leitung an Klemme „**br**“ an.
3. Schließen Sie die Feuchtesensor-Leitungen an die Klemmen mit der Beschriftung „**FTS2: gn-or-rt**“ in der Klemmleiste **[17]** an.
  - c. Schließen Sie die grüne Leitung an Klemme „**gn**“ an.
  - d. Schließen Sie die orange Leitung an Klemme „**or**“ an.
  - e. Schließen Sie die rote Leitung an Klemme „**rt**“ an.

## 5.10. Bankfühler F2 anschließen (optional)

1. Führen Sie die Bankfühler-Leitungen durch die Kabeldurchführung **[14]** in den Anschlussbereich für Kleinspannung **[19]**.
2. Schließen Sie die Bankfühler-Leitungen an die Klemmen mit der Beschriftung „**F2: ws-ws**“ in der Klemmleiste **[17]** an.



Der getaktete Feuchte-Betrieb im Zwei-Fühlerbetrieb (F1 u. F2) erfordert die Montage des Dummyfühlers (siehe 5.12 auf Seite 21)

### 5.11. Feuchtfühler WC4-H-H anschließen (optional)

1. Führen Sie die Fühlerleitungen durch die Kabeldurchführung **[16]** in den Anschlussbereich für Kleinspannung **[19]**.
2. Schließen Sie die Feuchtfühler-Leitungen an die Klemmen mit der Beschriftung „**WC4-H-H: br-bl-gn/ge**“ in der Klemmleiste **[17]** an.
  - a. Schließen Sie die braune Leitung an Klemme „**br**“ an.
  - b. Schließen Sie die blau Leitung an Klemme „**bl**“ an.
  - c. Schließen Sie die gelb/grün Leitung an Klemme „**gn/ge**“ an.
3. Entfernen Sie den FTS2-Jumper (siehe „7.1. Anschlussplan Basismodul“ auf Seite 23)



Der Feuchte-Betrieb mit dem Feuchtfühler WC4-H-H kann auch ohne Bankfühler F2 genutzt werden.

### 5.12. Dummyfühler anschließen (optional)

1. Schließen Sie den beiliegenden Dummyfühler an die Klemmen mit der Beschriftung „**WC4-H-H: br-bl**“ in der Klemmleiste **[17]** an.

### 5.13. Leistungserweiterung anschließen (optional)

1. Führen Sie die Leitung der Leistungserweiterung durch die Kabeldurchführung **[7]** in den Anschlussbereich für 230 V / 400 V **[1]**.
2. Schließen Sie die Leitung der Leistungserweiterung an die Klemmleiste **[2]** und **[3]** an. Verwenden Sie dabei die Klemme „**ST1**“ für den Sicherheitskreis (ST1) und die Klemme „**V**“ für den Steuerkreis(ST2). Beachten Sie die Bedienungsanleitung des jeweiligen Geräts.



Im Auslieferungszustand ist in der Klemme ST1 eine Kunststoffschraube geklemmt - diese muss ggf. entfernt werden.

### 5.14. Fernstart anschließen

Der Anschluss erfolgt über die Klemmen „**Remote start**“ im Anschlussbereich für Kleinspannung **[19]**.

Über einen Schalter (Dauerkontakt) müssen die ausgehenden +12V DC auf die Klemme zurückgeführt werden. Es kann die zuletzt verwendete Betriebsart eingeschaltet werden.

## 5.15. Installation abschließen

1. Schließen Sie die Schutzleiter der Versorgungsleitung und aller Geräte an die Erdungsschiene **3** an.
2. Verschließen Sie das Leistungsteil.

## 6. Prüfungen durchführen

Die folgenden Prüfungen müssen von einem zugelassenen Elektroinstallateur durchgeführt werden.



### **WARNUNG!**

**Die folgenden Prüfungen werden bei eingeschalteter Stromversorgung durchgeführt. Es besteht die Gefahr eines Stromschlages.**

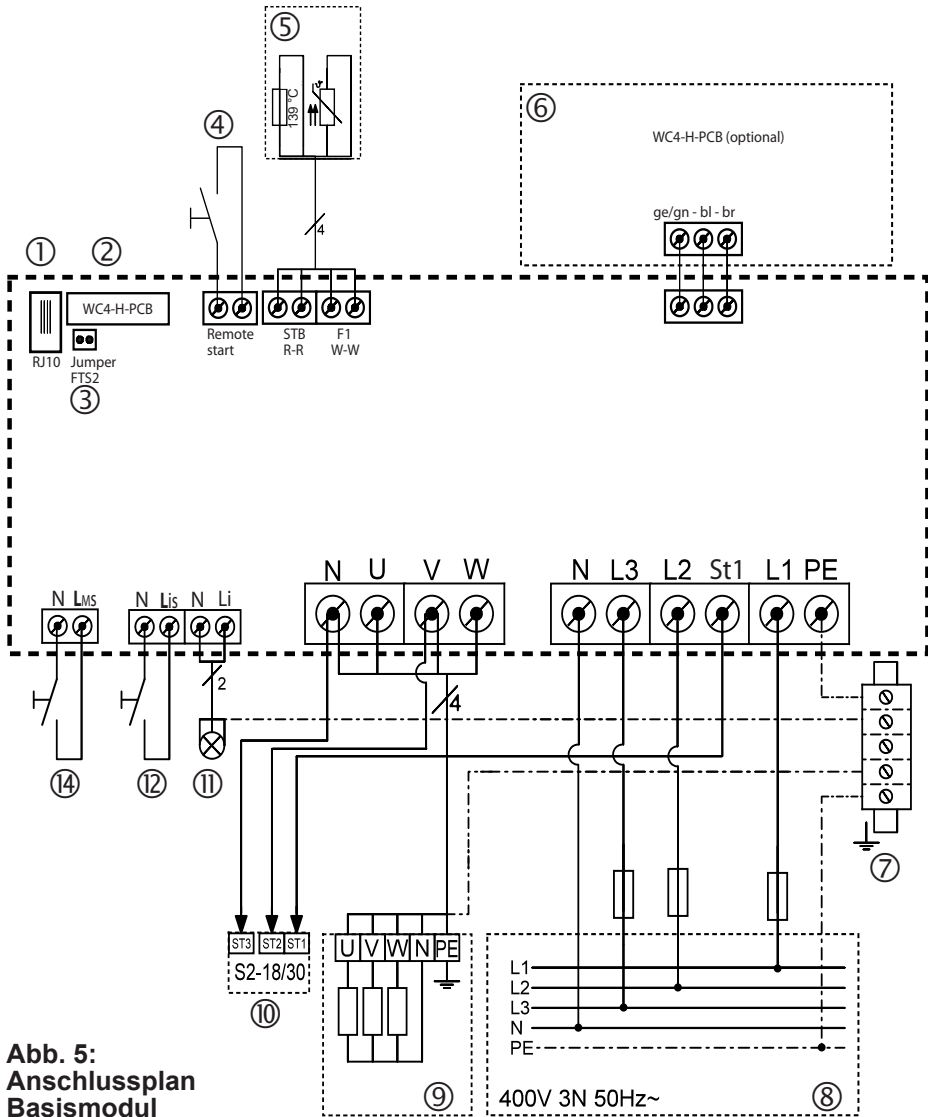
- Berühren Sie NIEMALS spannungsführende Teile.

1. Prüfen Sie den Kontakt der Erdungsleitungen an der Schutzleiterklemme.
2. Prüfen Sie die Übertemperatur-Sicherung des Ofenfühlers F1.
  - a. Schalten Sie die Saunasteuerung ein.
  - b. Öffnen Sie den Ofenfühler und klemmen Sie eine der beiden roten Ofenfühler-Leitungen ab.
    - ▶ Im Display wird "-30" angezeigt und alle Symbole blinken
    - ▶ Die Steuerung schaltet den Ofen ab.
  - c. Schalten Sie die Saunasteuerung mit dem Hauptschalter aus.
  - d. Klemmen Sie die rote Ofenfühler-Leitung wieder an.
  - e. Klemmen Sie nun eine der weißen Ofenfühler-Leitungen ab.
  - f. Schalten Sie die Saunasteuerung ein.
    - ▶ Im Display wird „-21“ angezeigt und alle Symbole blinken
    - ▶ Die Steuerung schaltet den Ofen ab.
  - g. Schalten Sie die Saunasteuerung mit dem Hauptschalter aus.
  - h. Klemmen Sie die weiße Ofenfühler-Leitung wieder an.
3. Prüfen Sie die Phasendurchschaltung L1, L2, L3 zu U, V, W.
4. Überprüfen Sie die maximal zulässige Heizleistung von 3,7 kW je Phase.
5. optional - mit Erweiterungsplatine: Prüfen Sie die Phasendurchschaltung für Verdampfer-Betrieb L1, L2, L3 zu U1, V, W.
6. Bei optionaler Leistungserweiterung: Prüfen sie die Steuerleitungen ST1, ST2 und ST3.



# 7. Anschlussplan

## 7.1. Anschlussplan Basismodul



DE

**Abb. 5:**  
Anschlussplan  
Basismodul

Ofen [kW]	Versorgungsleitung Ofenzuleitung (temperaturbeständig bis 150 °C)	Sicherung [A]
0 - 6,9	5 x 1,5 mm <sup>2</sup>	3 x 10
< 6,9 - 11	5 x 2,5 mm <sup>2</sup>	3 x 16

- |  |                                  |
|--|----------------------------------|
| ① RJ10 Anschluss Bedienteil                        | ⑨ Heizsystem (max. 11 kW)        |
| ② Erweiterungsplatine                              | ⑩ Leistungserweiterung           |
| ③ Jumper für FTS2                                  | ⑪ Licht                          |
| ④ Fernstart  | ⑫ Lichtschalter                  |
| ⑤ Ofenfühler mit Übertemperatur-<br>sicherung (F1) | ⑬ Hauptschalter                  |
| ⑥ Erweiterungsplatine                              | ⑭ Verdampfer (max. 3 kW)         |
| ⑦ Erdungsschiene                                   | ⑮ Lüfter                         |
| ⑧ Stromversorgung der<br>Saunasteuerung            | ⑯ Bankfühler (F2 / FTS2)         |
|  | ⑰ Feuchtefühler (WC4-H-H / FTS2) |

## 7.2. Anschlussplan Erweiterungsplatine (optional)

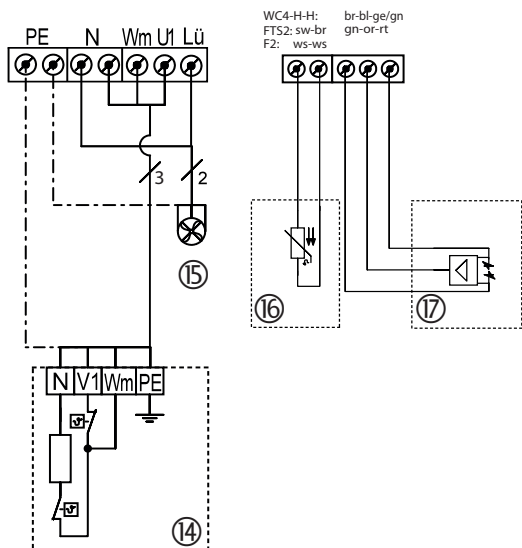
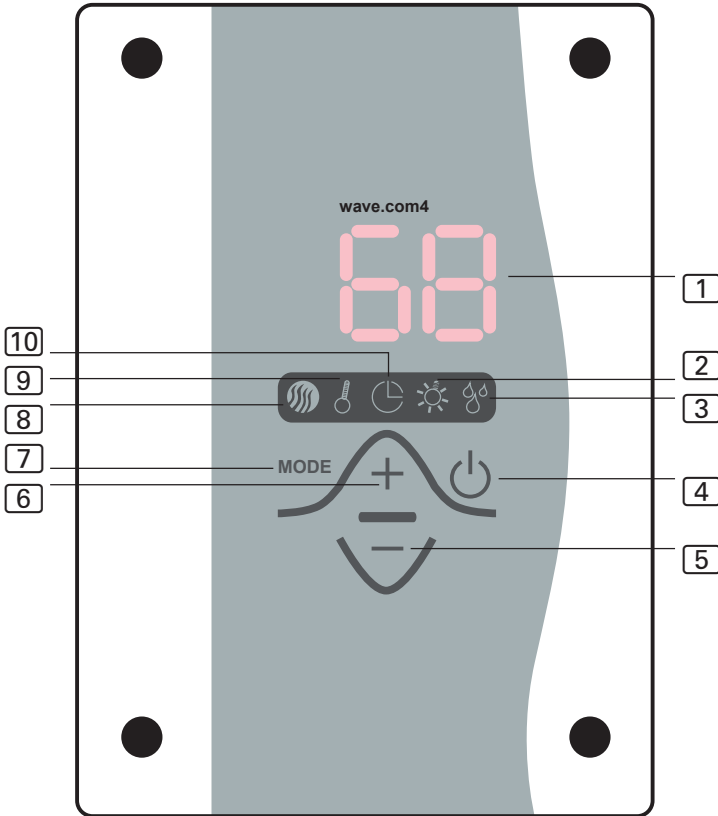


Abb. 6: Anschlussplan Erweiterungsplatine

## 8. Bedien- und Anzeigeelement



1	Display (3-stellige Siebensegment-Anzeige)	6	Plus
2	Kontrollleuchte: <i>Licht</i>	7	Mode (Einstellungen)
3	Kontrollleuchte: <i>Feuchte</i>	8	Kontrollleuchte: <i>Standby</i>
4	Ein/Aus	9	Kontrollleuchte: <i>Temperatur</i>
5	Minus	10	Kontrollleuchte: <i>Timer</i>

## 9. Bedienung

Beachten Sie „8. Bedien- und Anzeigeelement“ auf Seite 25.

### 9.1. Einschalten

Schalten Sie die Steuerung ein, indem Sie den externen Hauptschalter (optional) einschalten.

- ▶ Die Kontrollleuchte Standby [8] leuchtet konstant.

### 9.2. Heizzeit einstellen

Die Heizzeit kann in Stunden (1 - 12) eingestellt werden.

Die Steuerung muss sich für diese Programmierung im Standby befinden.

Drücken Sie gleichzeitig für 3 Sekunden die Tasten Ein/Aus [4] und Minus [5].

- ▶ Die Anzeige [1] zeigt die zuletzt eingestellte Zeit blinkend an

Wählen sie mit den Tasten Minus [5] / Plus [6] die gewünschte Heizzeit aus (AUS, 1 - 12).

Bestätigen Sie die Auswahl mit der Taste Ein/Aus [4], Sie gelangen direkt in die Spracheinstellung (siehe Seite 26). Zur Bestätigung drücken Sie die Taste Ein/Aus [4].

- ▶ Die Kontrollleuchte Standby [8] leuchtet.

### 9.3. Sprache einstellen

Folgende Sprachen stehen zur Auswahl:

Deutsch, Englisch, Französisch, Italienisch, Niederländisch

Die Steuerung muss sich für diese Programmierung im Standby befinden.

Drücken Sie gleichzeitig für 3 Sekunden die Tasten Ein/Aus [4] und Minus [5].

Dadurch gelangen Sie ins Menü der Heizzeit. Wechseln Sie mit der Taste Mode [7] ins Sprachmenü. Treffen Sie hier Ihre Auswahl mit den Tasten Minus [5] / Plus [6].

Bestätigen Sie Ihre Auswahl mit der Taste Mode [7].

## 9.4. Licht einschalten (Reinigungslicht)

Das Licht (Reinigungslicht) in der Saunakabine kann über einen externen Lichtschalter unabhängig vom Betriebsmodus ein- und ausgeschaltet werden.

Das Licht (Reinigungslicht) in der Saunakabine kann am Bedienteil durch drücken der Taste Ein/Aus **[4]** ein- und ausgeschaltet werden. (Die Steuerung muss sich dafür im Standby-Modus befinden). Das Licht schaltet sich nach 5 Min. automatisch aus.

- ▶ Die Kontrollleuchte Standby **[8]** blinkt = Standby-Modus

Das Licht in der Saunakabine kann gedimmt werden. Die Steuerung muss sich dafür in der Betriebsart *FIN* oder *FEU* befinden (siehe „9.12. Licht dimmen“ auf Seite 29).

## 9.5. Betriebsart wählen

Folgende Betriebsarten stehen zur Auswahl:

- Sauna-Betrieb „*FIN*“ (=Standard)
- Kombi-Betrieb „*FEU*“
- Reinigungslicht „*AUS*“

Drücken Sie die Taste Ein/Aus **[4]** und wählen sie mit den Tasten Minus **[5]** / Plus **[6]** die gewünschte Betriebsart aus.

## 9.6. Sauna-Betrieb *FIN* starten

Wählen Sie die Betriebsart *FIN* aus. Drücken Sie anschließend kurz die Taste Ein/Aus **[4]**.

- ▶ Die Steuerung startet mit den letzten Einstellungen dieser Betriebsart.
- ▶ Die Kontrollleuchten Standby **[8]** und Temperatur **[9]** leuchten.

Wählen sie mit den Tasten Minus **[5]** / Plus **[6]** die gewünschte Temperatur aus (< 110 °C)

- ▶ Die Anzeige **[1]** zeigt für einige Sekunden die gewünschte Temperatur (Sollwert) an, dann wird die gemessene Temperatur (Ist-Wert) angezeigt.

## 9.7. Sauna-Betrieb *FIN* ausschalten

Drücken Sie kurz die Taste Ein/Aus **[4]**.

- ▶ Der Saunaofen wird ausgeschaltet.
- ▶ Die Kontrollleuchte Standby **[8]** blinkt. Sie befinden sich im Betriebsmodus **AUS**
- ▶ Das Licht (Reinigungslicht) leuchtet.

Zum Ausschalten der Steuerung drücken Sie kurz die Taste Ein/Aus **[4]**

- ▶ Die Kontrollleuchte Standby **[8]** blinkt = Standby-Modus

## 9.8. Kombi-Betrieb *FEU* starten

Wählen Sie die Betriebsart **FEU** aus. Drücken Sie kurz die Taste Ein/Aus **[4]**.

- ▶ Die Steuerung startet mit den letzten Einstellungen dieser Betriebsart.
- ▶ Die Kontrollleuchten Standby **[8]** und Temperatur **[9]** leuchten.

Wählen Sie mit den Tasten Minus **[5]** / Plus **[6]** die gewünschte Temperatur aus.

- ▶ Die Anzeige **[1]** zeigt für einige Sekunden die gewünschte Temperatur (Sollwert) an, dann wird die gemessene Temperatur (Ist-Wert) angezeigt.

Drücken Sie die Taste Mode **[7]** bis die Kontrollleuchte Feuchte **[8]** leuchtet.

Wählen sie mit den Tasten Minus **[5]** und Plus **[6]** die gewünschte Feuchte aus (< 70 °C siehe „Abb. 7: Kennlinie Feuchte über Temperatur“ auf Seite 11 )

- ▶ Die Anzeige **[1]** zeigt die gewünschte Feuchte (Sollwert) an.  
Bei Montage eines Feuchtefühlers (optional) wird nach einigen Sekunden die gemessene Feuchte (Ist-Wert) angezeigt.

## 9.9. Kombi-Betrieb *FEU* ausschalten

Drücken Sie kurz die Taste Ein/Aus **[4]**.

- ▶ Der Saunaofen und der Verdampfer werden ausgeschaltet.
- ▶ Die Kontrollleuchte Standby **[8]** blinkt. Sie befinden sich im Betriebsmodus **AUS**
- ▶ Das Licht (Reinigungslicht) leuchtet.

Zum Ausschalten der Steuerung drücken Sie kurz die Taste Ein/Aus **[4]**

- ▶ Die Kontrollleuchte Standby **[8]** blinkt = Standby-Modus

## 9.10. Nachtrockenprogramm abrechen

Nach dem Kombi-Betrieb wird automatisch das Nachtrockenprogramm gestartet. In der Anzeige **[1]** wird der Text „dry“ angezeigt und die Kontrollleuchte Feuchte blinkt. Mögliche Einstellungen für das Nachtrockenprogramm siehe „**Nachtrockenprogramm einstellen**“ auf Seite 33

- ▶ Drücken Sie gleichzeitig für ca. 3 Sekunden die Tasten Ein/Aus **[4]** und Minus **[5]**



Um Schimmel- und Fäulnisbildung zu vermeiden, sollte das Nachtrockenprogramm NICHT abgebrochen werden.

## 9.11. Timer einstellen

Der Timer kann in Minuten (0 - 99) eingestellt werden. Ein akustisches Signal (Summer ist im Leistungsteil) ertönt nach Ablauf der Zeit.

Drücken Sie die Taste Mode **[7]** bis die Kontrollleuchte Timer **[10]** leuchtet. Wählen sie mit den Tasten Minus **[5]** / Plus **[6]** den gewünschten Intervall aus.

- ▶ Die Anzeige **[1]** zeigt die verbleibende Zeit an.

## 9.12. Licht dimmen

Das Licht in der Saunakabine kann gedimmt werden. Die Steuerung muss sich dafür in der Betriebsart *FIN* oder *FEU* befinden.

Drücken Sie die Taste Mode **[7]** bis die Kontrollleuchte Licht **[2]** leuchtet.

- ▶ Wählen Sie durch Longpress der Tasten Minus **[5]** oder Plus **[6]** die gewünschte Intensität für das Kabinenlicht aus.
- ▶ Durch kurzes Drücken der Taste Plus **[6]** schalten Sie das Kabinenlicht auf Maximum (100).
- ▶ Durch kurzes Drücken der Taste Minus **[6]** schalten Sie das Kabinenlicht aus (0).



Wenn der externe Lichtschalter eingeschaltet ist, leuchtet das Kabinenlicht immer mit voller Leistung. Wenn Sie das Licht über das Bedienteil dimmen möchten, muss der externe Lichtschalter in der Position AUS sein.

### 9.13. Vorwahlzeit einstellen

Die Vorwahlzeit kann in Stunden (1 - 24) eingestellt werden.

Die Steuerung muss sich dafür im Standby befinden.

Drücken Sie gleichzeitig für 3 Sekunden die Tasten Ein/Aus [4] und Plus [6].

- ▶ Die Anzeige [1] zeigt die zuletzt eingestellte Zeit blinkend an

Wählen sie mit den Tasten Minus [5] / Plus [6] die gewünschte Vorwahlzeit aus (AUS, 1 - 24).

Wechseln Sie mit der Taste Mode [7] in die gewünschten Betriebsart *FIN* oder *FEU* und bestätigen Sie dies mit der Taste Ein/Aus [4].

- ▶ Die Anzeige [1] zeigt die gewählte Vorwahlzeit an
- ▶ Die Kontrollleuchten Standby [8] und Timer [10] leuchten

Nach Ablauf der Zeit wird die gewählte Betriebsart gestartet.



Bei einem Stromausfall oder bei manuellem Einschalten wird die Vorwahlzeit deaktiviert

### 9.14. ECO-Modus

Der ECO Modus ermöglicht Ihnen, nach einer Pause, dieselbe Kabinentemperatur vorzufinden. Folgende Modi stehen zur Auswahl:

- ECO20 für eine 20minütige Saunapause
- ECO40 für eine 40minütige Saunapause
- ECO60 für eine 60minütige Saunapause

Die Steuerung muss sich dafür in der Betriebsart *FEU* befinden.

Drücken Sie die Taste Mode [7] bis die Kontrollleuchte Temperatur [9] leuchtet.

- ▶ Die Anzeige [1] zeigt die gewählte Temperatur an
- ▶ Die Kontrollleuchten Standby [8] und Temperatur [9] leuchten

Drücken Sie gleichzeitig für 3 Sekunden die Tasten Plus [6] und Minus [5].

Wählen Sie mit den Tasten Minus [5] / Plus [6] den gewünschten ECO-Modus aus (AUS, E20, E40, E60).

Bestätigen Sie Ihre Auswahl mit der Taste Mode [7]. Die Pause ist somit gestartet.



## 9.15. Standby für Fernwirken aktivieren

Laut EN 60335-2-53 müssen Saunasteuerungen mit Fernstartfunktion manuell auf die Betriebsart „Standby für Fernwirken“ gestellt werden. Diese Aktivierung muss nach jedem Fernstart- und Fernstopp-Vorgang neu erfolgen. Führen Sie dazu folgende Schritte durch:

Stellen Sie sicher, dass sich die Saunasteuerung im Standby-Modus befindet. Drücken Sie für ca. 3 Sekunden gleichzeitig die Ein/Aus-Taste **[4]** und die Mode-Taste **[7]**.

- ▶ In der Anzeige **[1]** blinkt „rc“ (remote control).
- ▶ Die Saunasteuerung ist nun bereit, um über ein Fernstartsignal gestartet und gestoppt zu werden.
- ▶ Nach erfolgtem Fernstart- und Fernstopp erlischt die Anzeige „rc“ und das Fernstart-Symbol und die Aktivierung der Betriebsart muss erneut vorgenommen werden.



Zum Abbruch der Funktion „Standby für Fernwirken“ drücken Sie für ca. 3 Sekunden die Ein/Aus-Taste **[4]**.

## 9.16. Fernstart-Freigabe

Mit der Fernstart-Freigabe wird die Funktion des Fernstart-Ausganges ausgewählt (beachten Sie EN60335-2-53). Anschluss: siehe „5.14. Fernstart anschließen“ auf Seite 21

- Standardmäßig ist die Fernstart-Freigabe auf AUS eingestellt. Der Fernstart wird mittels „Standby für Fernwirken“ aktiviert.
- Wenn Sie den Fernstart-Ausgang für div. Geräte (wie z.B. Münzer, Fernstart-System, Türüberwachung) freischalten möchten, gehen Sie wie folgt vor:

Die Steuerung muss sich für diese Programmierung im Standby befinden.

Drücken Sie gleichzeitig für 3 Sekunden die Tasten Ein/Aus **[4]** und Minus **[5]**.

Dadurch gelangen Sie ins Menü der Heizzeit.

Wechseln Sie mit der Taste Mode **[7]** ins Sprachmenü.

Wechseln Sie mit der Taste Mode **[7]** in die Fernstart-Freigabe.



Treffen Sie hier Ihre Auswahl mit den Tasten Minus **[5]** / Plus **[6]**.

Bestätigen Sie Ihre Auswahl mit der Taste Mode **[7]**.




## 9.17. Zusätzliches Bedienteil aktivieren

Es können bis zu vier Bedienteile angeschlossen werden (siehe „5.3. Bedienteil anschließen“ auf Seite 18).

Schalten Sie die Steuerung ein (Kontrollleuchte Standby  leuchtet).

Stecken Sie das Datenkabel des zusätzlichen Bedienteils aus. Halten Sie die Tasten Plus  und Minus  am ausgesteckten Bedienteil gedrückt und stecken Sie währenddessen das Datenkabel wieder ein.

► In der Anzeige  blinkt die zuletzt eingestellte Busadresse

Wählen sie mit den Tasten Minus  / Plus  die gewünschte Busadresse aus (0 - 3). Bestätigen Sie Ihre Wahl mit der Taste Mode .

Beachten Sie, dass nach dieser Änderung die Steuerung für 10 Sek. ausgeschaltet werden muss, um die Einstellung zu speichern.



Wenn Sie mehrere Bedienteile verwenden, müssen Sie an jedes Bedienteil eine Busadresse vergeben. Adresse 0 ist der Standardwert. Jede Adresse (0 - 3) kann nur einmal verwendet werden.

## 9.18. Akustisches Signal einstellen

Das akustische Signal kann für folgende Funktionen eingestellt werden:

Die Steuerung muss sich dafür in der Betriebsart *FIN* oder *FEU* befinden.

Drücken Sie die Taste Mode  bis die Kontrollleuchte Zeit  leuchtet.

► In der Anzeige  blinkt der Wert der eingestellten Funktion

Wählen sie mit den Tasten Minus  / Plus  den gewünschten Wert aus. Bestätigen Sie Ihre Wahl mit der Taste Mode .

Wert	Funktion	Funktionsbeschreibung
0	Leise	kein akustisches Signal
1	Timer	Timer nach Ablauf für 1 Sek. aktiv
2	Wassermangel	Dauerton bei Wassermangel
3	Timer + Wassermangel	beide Funktionen aktiv (=Standard)

## 9.19. Anzeigenwechsel einschalten

Die Anzeigenrollierung bewirkt, dass in der Anzeige [1] abwechselnd Temperatur und Feuchte (optional) angezeigt wird (10 Sek. Intervall)

Die Steuerung muss sich dafür in der Betriebsart *FIN* oder *FEU* befinden.

Drücken Sie die Taste Mode [7] bis die Kontrollleuchte Licht [2] leuchtet. Drücken Sie gleichzeitig für 3 Sekunden die Tasten Minus [5] und Plus [6].

- ▶ In der Anzeige [1] blinkt AUS (=Standard)

Wechseln Sie mit der Taste Plus [6] auf EIN. Bestätigen Sie Ihre Wahl mit der Taste Mode [7].

- ▶ Die Kontrollleuchte Standby [8] leuchtet.

## 9.20. Nachtrockenprogramm einstellen

Es kann die Dauer und die Temperatur des Nachtrockenprogrammes eingestellt werden.

Die Steuerung muss sich dafür in der Betriebsart *FEU* befinden.

Drücken Sie die Taste Mode [7] bis die Kontrollleuchte Feuchte [3] leuchtet. Drücken Sie gleichzeitig für 3 Sekunden die Tasten Plus [6] und Minus [5].

- ▶ In der Anzeige [1] blinkt 0 (=Standard)

Es kann nun ggf. mit den Tasten Plus / Minus der angezeigte Temperaturwert korrigiert werden ( -9 bis +9).

Drücken Sie die Taste Mode [7]

- ▶ Die Kontrollleuchten Standby [8], Zeit [10] und Feuchte [3] leuchten
- ▶ In der Anzeige [1] blinkt die eingestellte Nachtrockenzeit für Heizung und Lüfter (0 - 120 Min; 15 Min.=Standard)

Wählen Sie mit den Tasten Minus [5] / Plus [6] den gewünschten Wert aus.

Drücken Sie die Taste Mode [7]

- ▶ Die Kontrollleuchten Standby [8] und Zeit [10] leuchten
- ▶ In der Anzeige [1] blinkt die eingestellte Zeit für Nachtrocknen ohne Heizung, aber mit Lüfter (0 - 30 Min; 15 Min.=Standard)

Wählen Sie mit den Tasten Minus [5] / Plus [6] den gewünschten Wert aus.  
Drücken Sie die Taste Mode [7]

- ▶ Die Kontrollleuchten Standby [8] und Temperatur [9] leuchten
- ▶ In der Anzeige [1] blinkt die eingestellte Temperatur für das Nachtrocknen (70 - 90°C; 80°C=Standard)

Wählen Sie mit den Tasten Minus [5] / Plus [6] den gewünschten Wert aus.  
Bestätigen Sie Ihre Wahl mit der Taste EIN/AUS [7].

## 9.21. Saunasteuerung ausschalten

Wenn Sie die Saunasteuerung längere Zeit nicht verwenden, schalten Sie die Saunasteuerung mit dem Hauptschalter [11] aus.

# 10. Reinigung und Wartung

## 10.1. Reinigung

### ACHTUNG!

#### *Schäden am Gerät*

Die Saunasteuerung ist spritzwassergeschützt, trotzdem kann direkter Kontakt mit Wasser das Gerät beschädigen.

- Tauchen Sie das Gerät NIEMALS in Wasser.
- Übergießen Sie das Gerät nicht mit Wasser.
- Reinigen Sie das Gerät nicht zu feucht.

1. Tränken Sie ein Reinigungstuch in milder Seifenlauge.
2. Drücken Sie das Reinigungstuch gut aus.
3. Wischen Sie das Gehäuse der Saunasteuerung vorsichtig ab.

## 10.2. Wartung

Die Saunasteuerung ist wartungsfrei.

# 11. Entsorgung



- Entsorgen Sie die Verpackungsmaterialien nach den gültigen Entsorgungsrichtlinien.
- Altgeräte enthalten wiederverwendbare Materialien, aber auch schädliche Stoffe. Geben Sie Ihr Altgerät deshalb auf keinen Fall in den Restmüll, sondern entsorgen Sie das Gerät nach den örtlich geltenden Vorschriften.

## 12. Problemlösung

### 12.1. Fehlermeldungen

Die Saunasteuerung ist mit einer Diagnosesoftware ausgestattet, die beim Einschalten und im Betrieb die Systemzustände überprüft. Sobald die Diagnosesoftware einen Fehler erkennt, schaltet die Saunasteuerung den Saunaofen ab.

Die Betriebssymbole blinken und in der Anzeige **1** wird eine Fehlernummer angezeigt. Schalten Sie die Saunasteuerung mit dem Hauptschalter aus und beheben Sie den Fehler, bevor Sie die Saunasteuerung wieder einschalten.

Die folgende Tabelle beschreibt die möglichen Fehler und deren Ursache. Bei Bedarf teilen Sie die Fehlernummer Ihrem Kundendienst mit.

Fehler Nr.	Beschreibung	Behebung/Ursache
-5	Kein Bedienteil angeschlossen.	Kein Bedienteil angeschlossen oder schlechter Kontakt.
-10	Kein Bedienteil mehr angeschlossen, nachdem beim Hochstart mindestens eines erkannt wurde.	Kontakt zu Bedienteil überprüfen.
-21	Ofen-Temperaturfühler gebrochen.	Defekter Temperaturfühler oder schlechter Kontakt.
-22	Ofen-Temperaturfühler Kurzschluss.	Defekter Temperaturfühler oder Kurzschluss.
-24	Bank-Temperaturfühler gebrochen.	Defekter Temperaturfühler oder schlechter Kontakt.
-25	Bank-Temperaturfühler Kurzschluss.	Defekter Temperaturfühler oder Kurzschluss.
-26	Feuchtefühler gebrochen.	Defekter Feuchtefühler oder schlecht/falsch angeschlossen.
-27	Feuchtefühler Kurzschluss.	Defekter Feuchtefühler, schlecht/falsch angeschlossen oder Kurzschluss.
-30	Thermosicherung defekt.	Defekter Ofenfühler, schlechter Kontakt oder Thermosicherung nicht angeschlossen.

## 12.2. Sicherungen

Im Anschlussbereich des Basismoduls befinden sich Sicherungen für Elektronik und Licht. Diese können mit der Artikelnummer 1-30-174 (10Stk.) bestellt werden. Auf der Erweiterungsplatine befindet sich eine Sicherung für den Lüfter.

## 12.3. Temperaturkorrektur

Es besteht die Möglichkeit, den angezeigten Temperaturwert zu korrigieren. Dies ist im Bereich  $-9^{\circ}\text{C}/+9^{\circ}\text{C}$  möglich.

Die Steuerung muss sich dafür in der Betriebsart *FIN* befinden.

Drücken Sie die Taste Mode [7] bis die Kontrolleuchte Temperatur [9] leuchtet.

Drücken Sie gleichzeitig für 3 Sekunden die Tasten Plus [6] und Minus [5].

- ▶ In der Anzeige [1] blinkt AUS

Drücken Sie gleichzeitig für 3 Sekunden die Tasten EIN/AUS [4] und Mode [7].

- ▶ In der Anzeige [1] blinkt 0 (=Standard)

Es kann nun mit den Tasten Plus [6] und Minus [5] der angezeigte Temperaturwert korrigiert werden ( $\Delta t$ :  $-9$  bis  $+9^{\circ}\text{C}$ ).

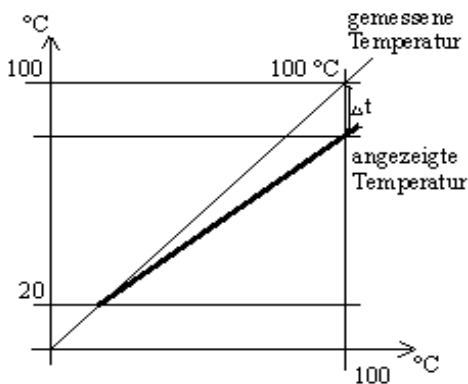


Abb. 7: Temperaturkorrektur

## 13. Technische Daten

### Umgebungsbedingungen

Lagertemperatur:	-25 °C bis +70 °C
Luftfeuchtigkeit:	max. 95% nicht kondensierend

### Leistungsteil

Abmessungen (B x H x T):	320 x 220 x 110 mm
Umgebungstemperatur:	-10 °C bis +40 °C
Schaltspannung / dreiphasig 3N:	400 V AC
Frequenz:	50 Hz
Schaltleistung / Heizgerät:	3 x 3,7 kW
Schaltstrom pro Phase / Heizgerät:	16 A
Schaltleistung / Verdampfer (optional):	3,0 kW
Schaltstrom / Verdampfer (optional):	16 A
Schutzart :	IP65
Sicherung:	1A T
Anschluss an das Versorgungsnetz als Festverdrahtung (Festanschluss)	

DE

### Bedienteil

Anschlussleitung:	RJ10 - 4 polig
Abmessungen (B x H x T):	92 x 120 x 44,5 mm
Umgebungstemperatur:	0 °C bis +100 °C
Montageausschnitt (Ø x T):	Ø 70 x 35 mm
Schutzart :	IP54

### Licht

Schaltleistung:	100 W
Sicherung:	1A T

### Lüfter

Schaltleistung:	100 W
Sicherung:	4A T



---

**Einstellbereiche**

---

Temperatur:	30 °C bis 110 °C
Feuchte:	30 % bis 99 %

Dabei ist die maximal einstellbare Feuchte von der Saunatemperatur abhängig. Je höher die Saunatemperatur, desto niedriger ist der maximal einstellbare Feuchtwert.

---

**Thermische Sicherheit**

---

Ofenfühler mit Übertemperatur-Sicherung (139 °C Abschalttemperatur)  
Automatische Heizzeitbegrenzung einstellbar (1 bis 12 Stunden)\*  
Wahlweise Ein-Fühlerbetrieb oder Zwei-Fühlerbetrieb

---

**Anschlussleitungen**

---

Fühlerleitungen (temperaturbeständig bis 150 °C):	0,5 mm <sup>2</sup>
Lichtleitung:	1,5 mm <sup>2</sup>
Lüfterleitung:	1,5 mm <sup>2</sup>

\* Die EN 60335-2-53 schreibt für private Saunen eine Heizzeitbegrenzung von 6 h vor. Für Saunen in Hotels, Wohnblöcken und ähnlichen Standorten ist eine Heizzeitbegrenzung von 12 h zulässig.



# Commande de sauna wave.com4 11 kW

INSTRUCTIONS DE MONTAGE ET MODE D'EMPLOI  
Français



WC4-B-D/W/S



WC4-B-11

FR

wave.com4 Module de base 11 kW

1-049-633 / WC4-B-11

wave.com4 Élément de commande en bois foncé

1-008-128 / WC4-B-D

wave.com4 Élément de commande noir

1-010-433 / WC4-B-S

wave.com4 Élément de commande blanc

1-010-433 / WC4-B-W

# Table des matières

<b>1. Concernant ces instructions</b>	<b>5</b>
<b>2. Remarques importantes pour votre sécurité</b>	<b>6</b>
2.1. Usage conforme	6
2.2. Consignes de sécurité pour le monteur	7
2.3. Consignes de sécurité pour l'utilisateur	8
<b>3. Description du produit</b>	<b>9</b>
3.1. Contenu de la livraison	9
3.2. Non inclus dans la livraison	9
3.3. Accessoires en option	9
3.4. Fonctions du produit	10
3.5. Modes de fonctionnement du sauna	11
3.6. Modes de fonctionnement des sondes	11
<b>4. Montage</b>	<b>13</b>
4.1. Montage du bloc de puissance	13
4.2. Montage du commutateur principal	13
4.3. Montage de l'éclairage de cabine/du commutateur d'éclairage	13
4.4. Montage de la carte d'extension (en option)	14
4.5. Montage de l'élément de commande	14
4.6. Montage de la sonde de poêle F1 avec dispositif de protection contre la surtempérature	15
4.8. Montage de la sonde de banc F2 (en option)	16
4.9. Montage de la sonde d'humidité WC4-H-H (en option)	16
4.7. Montage du capteur d'humidité et de température FTS2 (en option)	16
<b>5. Branchements électriques</b>	<b>17</b>
5.1. Branchement du câble d'alimentation et du poêle	18
5.2. Branchement de l'évaporateur (en option)	18
5.3. Branchement de l'élément de commande	18

5.4.	Branchement du commutateur principal externe.....	19
5.5.	Branchement de l'éclairage.....	19
5.6.	Branchement du commutateur d'éclairage externe.....	19
5.7.	Branchement du ventilateur (en option).....	19
5.8.	Branchement de la sonde de poêle F1.....	20
5.9.	Branchement du capteur d'humidité et de température FTS2 (en option).....	20
5.10.	Branchement de la sonde de banc F2 (en option).....	20
5.11.	Branchement de la sonde d'humidité WC4-H-H (en option).....	21
5.12.	Branchement de la sonde factice (en option).....	21
5.13.	Branchement du module d'extension de puissance (en option).....	21
5.14.	Branchement du démarrage à distance .....	21
5.15.	Fin de l'installation.....	22
<b>6.</b>	<b>Exécution des contrôles</b> .....	<b>22</b>
<b>7.</b>	<b>Schéma de raccordement</b> .....	<b>23</b>
7.1.	Schéma de raccordement du module de base.....	23
7.2.	Schéma de raccordement de la carte d'extension (en option).....	24
<b>8.</b>	<b>Élément de commande et d'affichage</b> .....	<b>25</b>
<b>9.</b>	<b>Utilisation</b> .....	<b>26</b>
9.1.	Mise en marche.....	26
9.2.	Réglage de la durée de chauffage.....	26
9.3.	Réglage de la langue.....	26
9.4.	Activation de l'éclairage (lumière de nettoyage).....	27
9.5.	Sélection du mode de fonctionnement.....	27
9.6.	Activation du mode Sauna <b>FIN</b> .....	<b>27</b>
9.7.	Désactivation du mode Sauna <b>FIN</b> .....	<b>28</b>
9.8.	Activation du mode combiné <b>FEU</b> .....	<b>28</b>
9.9.	Désactivation du mode combiné <b>FEU</b> .....	<b>28</b>
9.10.	Arrêt du programme de séchage final.....	29

9.11. Réglage de la minuterie.....	29
9.12. Tamisage de la lumière.....	29
9.13. Paramétrage du démarrage différé.....	30
9.14. Mode ECO.....	30
9.15. Activation du mode de veille de l'actionnement à distance.....	31
9.16. Activation du démarrage à distance.....	31
9.17. Activation d'un élément de commande supplémentaire.....	32
9.18. Réglage du signal acoustique.....	32
9.19. Activation du changement d'affichage.....	33
9.20. Réglage du programme de séchage final.....	33
9.21. Arrêt de la commande de sauna.....	34
<b>10. Nettoyage et entretien.....</b>	<b>34</b>
10.1. Nettoyage.....	34
10.2. Entretien.....	34
<b>11. Élimination.....</b>	<b>34</b>
<b>12. Dépannage.....</b>	<b>35</b>
12.1. Messages d'erreur.....	35
12.2. Fusibles.....	36
12.3. Correction de la température.....	36
<b>13. Caractéristiques techniques.....</b>	<b>37</b>

# 1. Concernant ces instructions

Lisez attentivement ces instructions de montage et ce mode d'emploi et conservez-les à proximité de la commande de sauna. Vous pouvez ainsi consulter à tout moment des informations concernant son utilisation et relatives à votre sécurité.



Ces instructions de montage et ce mode d'emploi sont également disponibles dans la zone de téléchargement de notre site Internet [www.sentiotec.com/downloads](http://www.sentiotec.com/downloads).

## ***Symboles d'avertissement***

Dans les instructions de montage et le mode d'emploi, un avertissement précède les activités représentant un danger. Conformez-vous impérativement à ces avertissements. Vous éviterez ainsi des dommages matériels et des blessures qui, dans le pire des cas, peuvent être mortelles.

Ces avertissements utilisent des termes clés qui ont la signification suivante :



### **DANGER !**

Si vous ne respectez pas cet avertissement, il y a un risque de blessures graves, voire mortelles.



### **AVERTISSEMENT !**

Si vous ne respectez pas cet avertissement, il y a un risque éventuel de blessures graves, voire mortelles.



### **PRUDENCE !**

Si vous ne respectez pas cet avertissement, il y a un risque éventuel de blessures légères.

### **ATTENTION !**

Ce terme clé vous avertit de dommages matériels éventuels.

## ***Autres symboles***



Ce symbole désigne les conseils et indications utiles.

## **2. Remarques importantes pour votre sécurité**

La commande de sauna wave.com4 11 kW est conçue selon des règles techniques de sécurité reconnues. Cependant, des dangers peuvent survenir lors de l'utilisation. C'est pourquoi vous devez suivre les consignes de sécurité suivantes et les avertissements figurant dans les instructions de montage et d'utilisation. Conformez-vous aux consignes de sécurité des appareils raccordés.

### **2.1. Usage conforme**

La commande de sauna wave.com4 11 kW sert exclusivement à la commande et au réglage des fonctions conformément aux données techniques.

La commande de sauna doit être utilisée uniquement pour la commande et le réglage de 3 circuits de chauffage avec une puissance maximale de 3,7 kW par circuit.

En cas d'utilisation de la platine d'extension en option wave.com4 (WC4-H-PCB), la puissance maximale de l'évaporateur est de 3,0 kW.

Selon la norme EN 60335-2-53, les commandes de sauna avec actionnement à distance ne doivent être utilisées que pour la commande et le réglage d'un poêle de sauna qui a passé avec succès le contrôle défini au paragraphe 19.101. Sinon, un dispositif de sécurité approprié (par exemple : arrêt de sécurité, contact de porte...) doit être installé.

Toute autre utilisation est considérée comme un usage non conforme. Un usage non conforme peut endommager le produit et provoquer de graves blessures, voire la mort. La garantie ne s'applique pas en cas d'usage non conforme.

## 2.2. Consignes de sécurité pour le monteur

- Seul un électricien spécialisé ou une personne ayant une qualification similaire est habilité à procéder au raccordement électrique. Pour bénéficier de la garantie, vous devez présenter une copie de la facture de l'électricien ayant effectué le branchement.
- Les travaux sur la commande de sauna doivent être effectués uniquement lorsque l'appareil n'est pas sous tension.
- Un dispositif de coupure totale du circuit sur tous les pôles (catégorie de surtension III) doit être prévu par le client.
- Le bloc de puissance de wave.com4 11 kW (WC4-B-11) doit être installé conformément aux données techniques.
- L'élément de commande peut être monté à l'intérieur et à l'extérieur du sauna, à condition que les prescriptions des instructions de montage et d'utilisation jointes à la livraison soient strictement respectées
- Respectez également les dispositions légales du lieu d'installation.
- En cas de problèmes insuffisamment traités dans les instructions de montage, adressez-vous à votre fournisseur pour votre propre sécurité.

### **2.3. Consignes de sécurité pour l'utilisateur**

- La commande de sauna ne doit pas être utilisée par les enfants de moins de 8 ans.
- La commande de sauna peut être utilisée par les enfants de plus de 8 ans, par des personnes ayant des capacités psychiques, sensorielles ou mentales limitées et par des personnes manquant d'expérience et de connaissances aux conditions suivantes :
  - lorsqu'ils sont surveillés ;
  - lorsque l'utilisation en toute sécurité leur a été montrée et qu'ils comprennent les dangers qui peuvent survenir.
- Les enfants ne doivent pas jouer avec la commande de sauna.
- Les enfants de moins de 14 ans ne peuvent nettoyer la commande de sauna que sous surveillance.
- Pour des raisons de santé, n'utilisez pas la cabine lorsque vous êtes sous l'influence de l'alcool, de médicaments ou de drogues.
- Assurez-vous qu'aucun objet inflammable ne se trouve sur le poêle de sauna avant de mettre en marche la commande.
- Assurez-vous qu'il n'y a pas d'objets inflammables sur le poêle du sauna avant d'utiliser le chauffage avant d'activer la fonction de marche programmée ou le mode veille pour le démarrage à distance.
- Pour votre sécurité, adressez-vous à votre fournisseur si le mode d'emploi ne traite pas exhaustivement de certains problèmes.



## 3. Description du produit

La commande de sauna wave.com4 11 kW est une commande de sauna en deux parties. Pour son fonctionnement, un module de base bloc de puissance (WC4-B-11), un élément commande (WC4-B-S, WC4-B-D ou WC4-B-W) et une sonde de poêle (WC4-B-F1D ou WC4-B-F1H) sont toujours nécessaires.

### 3.1. Contenu de la livraison

- Bloc de puissance (1-049-633 / WC4-B-11)
- Instructions de montage et mode d'emploi

### 3.2. Non inclus dans la livraison

- Commutateur principal (commutateur standard 230V)
- Commutateur d'éclairage (commutateur standard 230V)
- Élément de commande en bois foncé (1-008-128 / WC4-B-D) ou élément de commande noir (1-010-389 / WC4-B-S) ou élément de commande blanc (1-010-437 / WC4-B-W)
- Sonde de poêle en bois clair (1-013-651 / WC4-B-F1H), câbles de sonde 5 m ou sonde de poêle en bois foncé (1-003-479 / WC4-B-F1D), câbles de sonde 5 m

### 3.3. Accessoires en option

- Carte d'extension pour l'humidité, sonde de banc (1-003-472 / WC4-H-PCB)
- Sonde de banc WC4 en bois foncé (1-003-295 / WC4-H-F2D), câbles de sonde 5 m
- Sonde de banc WC4 en bois clair (1-013-662 / WC4-H-F2H), câbles de sonde 5 m
- Sonde d'humidité en bois foncé (1-003-364 / WC4-H-HD), câbles de sonde 5 m
- Sonde d'humidité en bois clair (1-013-669 / WC4-H-HH), câbles de sonde 5 m
- Capteur d'humidité et de température (1-010-081/O-FTS2), câbles de sondes 6 m
- Boîtier de capteur pour FTS2 en bois sombre (1-041-521 / SC-FTS2-D)
- Boîtier de capteur pour FTS2 en bois clair (1-041-520 / SC-FTS2-D)
- Adaptateur en Y RJ10 4 broches (1-028-167 / WC4-C-ADY)
- Extension de puissance (1-008-779/O-S2-18, 1-009-280/O-S2-30)
- Dispositif d'arrêt de sécurité (SFE-xxxxx)
- Système de démarrage à distance (1-051-003 / FS-SY)
- Système de capteur de porte (1-052-722 / SAB00102)

### 3.4. Fonctions du produit

La commande de sauna wave.com4 11 kW dispose des fonctions suivantes :

- Réglage des poêles avec une puissance de chauffe pouvant monter jusqu'à 11 kW
- Avec la carte d'extension, réglage de poêles combinés d'une puissance de chauffe allant jusqu'à 11 kW et d'une puissance d'évaporation atteignant 3 kW.
- Avec un module d'extension de puissance, possibilité d'aller au-delà de la puissance de commutation maximale de 11 kW.
- Possibilité de raccorder un commutateur principal externe
- Possibilité de raccorder un commutateur d'éclairage externe
- Activation et variation d'un éclairage de cabine (lampe à incandescence jusqu'à 100 W)
- Activation d'un ventilateur (jusqu'à 100 W)
- Limitation automatique de la durée de chauffage  
La commande de sauna s'arrête automatiquement au bout du temps de chauffage maximal pour des raisons de sécurité (1 à 12 heures).
- Fonction de démarrage différé (1 à 24 heures)
- Signal acoustique pour un intervalle de temps (p. ex. signal d'arrosage)
- Programme de séchage final  
Après le mode mixte, le programme de séchage final est démarré automatiquement afin d'éviter la formation de moisissure et de pourriture dans la cabine de sauna. (3 possibilités de réglage).
- Fonction de démarrage à distance
- Mode éco  
Le mode Eco vous permet de retrouver la même température de cabine après une pause (20, 40, 60 minutes).
- Dispositif de protection contre la surtempérature  
Le dispositif de protection contre la surtempérature se trouve dans le boîtier de la sonde de poêle. Si, en raison d'un défaut, le poêle de sauna continue à chauffer une fois la température souhaitée atteinte, le dispositif de protection contre la surtempérature éteint le poêle automatiquement à environ 139 °C.

### 3.5. Modes de fonctionnement du sauna

#### **Mode sauna**

En mode sauna, la chaleur disponible est très sèche. La température dans la cabine est élevée (de 80 à 100 °C). Les valeurs d'humidité sont faibles (max. 10 %).

#### **Mode mixte (en option - avec carte d'extension)**

En mode mixte, le poêle de sauna et l'évaporateur fonctionnent. La température dans la cabine du sauna est plus basse (environ de 40 à 65 °C) qu'en mode sauna mais l'humidité de l'air relative est bien plus élevée (de 35 % à environ 70 %). L'humidité de consigne maximale pouvant être réglée dépend de la température du sauna. Plus la température du sauna est élevée, plus la valeur d'humidité maximale réglable est basse (voir fig. 1).

### 3.6. Modes de fonctionnement des sondes

La commande du sauna wave.com4 11 kW peut être utilisée avec une, deux ou trois sondes.

#### **Fonctionnement à une sonde (F1)**

Le fonctionnement à une sonde est activé par défaut.

En fonctionnement à une sonde, la commande de sauna fonctionne uniquement avec la sonde de poêle équipée du dispositif de protection contre la surtempérature. La commande de sauna indique par défaut la température effective. La température de consigne est affichée pendant le réglage.

La valeur d'humidité maximale réglable (en option - avec carte d'extension) varie, lors du fonctionnement à une sonde, en fonction de la température au-dessus du poêle et l'humidité est cadencée. Sur l'écran de la commande de sauna, seule la valeur de consigne de l'humidité (en % d'humidité de l'air relative) est affichée. L'humidité réelle dans la cabine du sauna dépendant, lorsque l'humidité est cadencée, de la taille de la cabine et de la puissance de l'évaporateur, elle peut diverger de la valeur de consigne réglée.

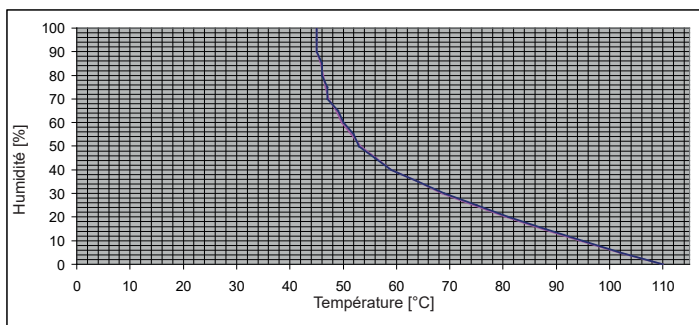


Fig. 1 : Courbe caractéristique de l'humidité en fonction de la température

***Fonctionnement à deux sondes avec capteur d'humidité et de température (FTS2) (en option - avec carte d'extension)***

En fonctionnement à deux sondes avec capteur d'humidité et de température, la commande de sauna indique comme température effective la température mesurée par le capteur d'humidité et de température.

En fonctionnement à deux sondes avec capteur d'humidité et de température, l'évaporateur est réglé en fonction de l'humidité mesurée dans la cabine. Sur l'écran de la commande de sauna, l'humidité réelle de la cabine de sauna (en % d'humidité de l'air relative) est affichée.

***Fonctionnement à deux sondes avec sonde de banc (F2) (en option - avec carte d'extension)***

En fonctionnement à deux sondes avec sonde de banc, une deuxième sonde de température (sonde de banc) est montée au-dessus du banc arrière du sauna. La commande de sauna indique la température mesurée par la sonde de banc comme température effective.

En fonctionnement à deux sondes avec sonde de banc, l'humidité est cadencée. Sur l'écran de la commande de sauna, seule la valeur de consigne de l'humidité (en % d'humidité de l'air relative) est affichée. L'humidité réelle dans la cabine du sauna dépendant, lorsque l'humidité est cadencée, de la taille de la cabine et de la puissance de l'évaporateur, elle peut diverger de la valeur de consigne réglée.

***Fonctionnement à deux sondes avec sonde d'humidité (WC4-H-H) (en option - avec carte d'extension)***

En fonctionnement à deux sondes avec sonde d'humidité, la commande de sauna indique comme température effective la température mesurée par la sonde de poêle. L'évaporateur est réglé en fonction de l'humidité mesurée dans la cabine. Sur l'écran de la commande de sauna, l'humidité réelle de la cabine de sauna (en % d'humidité de l'air relative) est affichée.

***Fonctionnement à trois sondes avec sonde de banc (F2) et sonde d'humidité (WC4-H-Hx) (en option - avec carte d'extension)***

En fonctionnement à trois sondes avec sonde de banc et sonde d'humidité, la commande de sauna indique comme température effective la température mesurée par la sonde de banc.

En fonctionnement à trois sondes, l'évaporateur est réglé en fonction de l'humidité mesurée dans la cabine. Sur l'écran de la commande de sauna, l'humidité réelle de la cabine de sauna (en % d'humidité de l'air relative) est affichée.

## 4. Montage

Lors du montage, respectez les caractéristiques techniques, voir Page 37 :

### ATTENTION !

#### **Les sources d'interférences gênent la transmission des signaux**

- Installez tous les câbles des sondes séparément des autres câbles électriques et câbles de commande.
- Protégez simplement les câbles isolés par un tuyau (isolation double).



Toutes les sondes doivent être raccordées avec les câbles de sonde joints qui résistent à une température allant jusqu'à 150 °C.

- La longueur des câbles de la sonde de poêle NE doit PAS dépasser 10 m.
- À l'extérieur de la cabine, les câbles de sonde peuvent être prolongés par des câbles non résistants à la température.

### 4.1. Montage du bloc de puissance

Reportez-vous à la Fig. 2 Page 14.

### ATTENTION !

#### **Endommagement de l'appareil**

La commande de sauna est protégée contre les projections d'eau, mais un contact direct avec de l'eau peut quand même endommager l'appareil.

- Montez la commande de sauna à un endroit où l'humidité maximale de l'air ne dépasse pas 95 % - pas de pièce humide.
- Lorsqu'ils sont installés dans la cabine de sauna, les passe-câbles ne doivent pas être orientés vers le haut !

Pour le montage du bloc de puissance 1, suivez les étapes suivantes :

1. Enlevez le cache du bloc de puissance.
2. Vous pouvez fixer le bloc de puissance au niveau du socle, aux 4 coins du châssis (voir flèches Fig. 4 à la page 17)

### 4.2. Montage du commutateur principal

Conformez-vous au mode d'emploi du commutateur.

### 4.3. Montage de l'éclairage de cabine/du commutateur d'éclairage

Conformez-vous au mode d'emploi du commutateur.

#### 4.4. Montage de la carte d'extension (en option)

1. Connectez la carte d'extension en raccordant les câbles préassemblés (L-N-PE) et le câble ruban à la carte de base.
2. Fixez la carte d'extension avec les vis fournies.

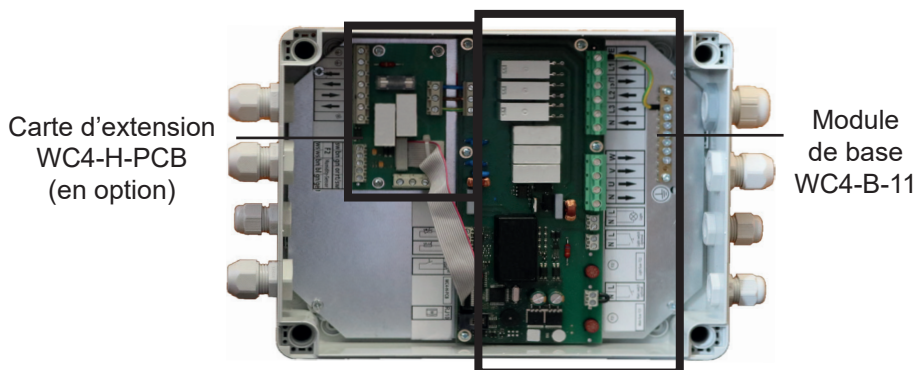


Fig. 2 : Bloc de puissance Wave.com4 11 kW

#### 4.5. Montage de l'élément de commande

L'élément de commande [2] est monté sur la paroi de la cabine à une distance maximale de 10 mètres du bloc de puissance [1]. Tenez compte du passage du câble de données.

##### ATTENTION !

##### *Endommagement de l'appareil*

- L'élément de commande [2] de la commande de sauna est protégé contre les projections d'eau (degré de protection IPX4).
- Le montage ne peut être effectué qu'avec un tournevis. L'utilisation d'un tournevis électrique peut provoquer un endommagement irréversible du boîtier !
- En cas de montage à l'intérieur d'une cabine de sauna, respectez une distance minimale de 30 cm par rapport au plafond de la cabine.

1. Découpez l'évidement de l'élément de commande avec, par exemple, une scie cloche de Ø 70 x 35 mm.
2. Raccordez le connecteur à 4 pôles à la prise RJ10 du panneau de commande.
3. Vissez le boîtier à la paroi de la cabine par les trous au moyen des 4 vis à bois fournies.

#### 4.6. Montage de la sonde de poêle F1 avec dispositif de protection contre la surtempérature

Lors du montage de la sonde de poêle, tenez compte des points suivants :

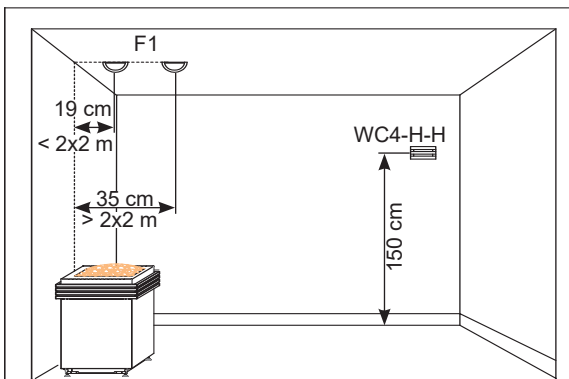
- La sonde de poêle doit être montée dans le plafond de la cabine, au dessus du point central du poêle. Une distance de 19 cm par rapport à la paroi de la cabine doit être respectée pour les cabines de 2 x 2 m ou moins, et une distance de 35 cm pour les cabines plus grandes.
- La sonde de poêle doit être posée de sorte à ne pas être influencée par l'air entrant.



Veillez à ce qu'aucun câble ne soit endommagé lorsque vous tirez sur les câbles de la sonde !

Pour le montage de la sonde de poêle, suivez les étapes suivantes (voir **Fig. 3**) :

1. Percez le plafond de la cabine avec un foret de 8 mm.
2. Tirez les deux câbles bipolaires de la sonde de poêle en les faisant passer par le trou.
3. Fixez le boîtier de la sonde avec les vis à bois fournies.
4. Posez les deux câbles bipolaires de la sonde de poêle jusqu'au bloc de puissance et fixez les câbles de la sonde de poêle avec des serre-câbles.
5. Vérifiez que la sonde de poêle est bien fixée.



**Fig. 3 : Montage de la sonde**

#### **4.7. Montage du capteur d'humidité et de température FTS2 (en option)**

Le capteur d'humidité et de température est monté sur la paroi de la cabine au-dessus du banc arrière. Respectez une distance de 15 cm environ par rapport au plafond de la cabine. Suivez les instructions de montage de la sonde.



Un boîtier en bois est disponible en option pour le capteur d'humidité et de température.

#### **4.8. Montage de la sonde de banc F2 (en option)**

La sonde de banc est montée dans la paroi de la cabine au-dessus du banc arrière. Respectez une distance de 15 cm environ par rapport au plafond de la cabine.

Pour le montage de la sonde de banc, suivez les étapes suivantes :

1. Percez la paroi de la cabine avec un foret de 8 mm.
2. Tirez le câble bipolaire de la sonde de banc en le faisant passer par le trou.
3. Fixez le boîtier de la sonde avec les vis à bois fournies.
4. Posez le câble bipolaire de la sonde de banc jusqu'au bloc de puissance et fixez le câble de la sonde de banc avec des serre-câbles.
5. Vérifiez que la sonde de banc est bien fixée.

#### **4.9. Montage de la sonde d'humidité WC4-H-H (en option)**

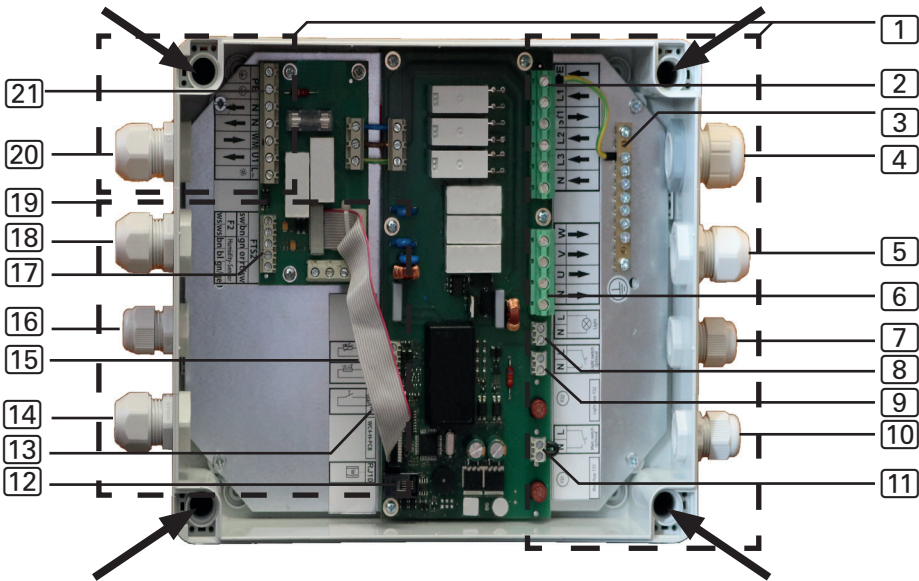
La sonde d'humidité doit être montée au centre de la paroi latérale la plus éloignée du poêle, à une hauteur d'environ 150 cm (Fig. 3 à la page 15).

Pour le montage de la sonde d'humidité, suivez les étapes suivantes :

1. Percez la paroi de la cabine avec un foret de 8 mm.
2. Tirez le câble tripolaire de la sonde d'humidité en le faisant passer par le trou.
3. Fixez le boîtier de la sonde avec les vis à bois fournies.
4. Posez le câble tripolaire de la sonde d'humidité jusqu'au bloc de puissance et fixez le câble de la sonde d'humidité avec des serre-câbles.
5. Vérifiez que la sonde d'humidité est bien fixée.



## 5. Branchements électriques



**Fig. 4 : Branchements électriques**

- |    |   |    |   |
|----|---|----|---|
| 1  | Zones de raccordement pour 230 V/400 V                                  | 12 | Prise RJ10 pour câble de données de l'élément de commande                         |
| 2  | Borne plate pour câble d'alimentation                                   | 13 | Borne plate pour démarrage à distance   |
| 3  | Fil de terre  | 14 | Passage de câbles pour câble de données RJ10, sonde F1/F2 et démarrage à distance |
| 4  | Passage de câbles pour câble d'alimentation                             | 15 | Borne plate pour sonde F1   |
| 5  | Passage de câbles pour câble du pôle                                    | 16 | Passage de câbles pour sonde WC4-H-H/FTS2   |
| 6  | Borne plate pour câble du pôle  | 17 | Borne plate pour sonde F2/WC4-H-H/FTS2  |
| 7  | Passage de câbles pour éclairage et extension de puissance              | 18 | Passage de câbles pour ventilateur  |
| 8  | Borne plate pour éclairage  | 19 | Zone de raccordement pour très basse tension                                      |
| 9  | Borne plate pour commutateur d'éclairage                                | 20 | Passage de câbles pour câble d'évaporateur  |
| 10 | Passage de câbles pour commutateur d'éclairage et commutateur principal | 21 | Borne plate pour câble d'évaporateur et ventilateur                               |
| 11 | Borne plate pour commutateur principal                                  |    |   |



Reportez-vous à « **5. Branchements électriques** » à la page 17 et « **7.1. Schéma de raccordement du module de base** » à la page 23 et « **7.2. Schéma de raccordement de la carte d'extension (en option)** » à la page 24.

### 5.1. Branchement du câble d'alimentation et du poêle

1. Faites passer le câble d'alimentation et le câble de poêle dans les passages de câbles [4] et [5] dans la zone de raccordement pour 230 V/400 V [1].
2. Raccordez les câbles de raccordement aux bornes correspondantes [2], [6]. Conformez-vous au mode d'emploi des différents appareils.

### 5.2. Branchement de l'évaporateur (en option)

1. Faites passer le câble d'évaporateur (en option avec carte d'extension) dans le passage de câbles [20] dans la zone de raccordement pour 230 V/400 V [1].
2. Raccordez les câbles de raccordement aux bornes correspondantes [21]. Conformez-vous au mode d'emploi de l'évaporateur.



Si l'évaporateur n'est pas équipé d'un indicateur automatique du manque d'eau, utilisez un pontage pour relier la borne « **U1** » à la borne « **WM** » ou modifiez le réglage du signal sonore (voir Page 32)

### 5.3. Branchement de l'élément de commande

1. Faites passer le câble de raccordement de l'élément de commande par le passage de câbles [14] dans la zone de raccordement pour très basse tension [19].
2. Branchez la fiche du câble RJ-10 dans la prise de raccordement [12].



Les commandes de sauna wave.com4 11 kW permettent de faire fonctionner jusqu'à 4 éléments de commande sur un seul bloc de puissance. Utilisez l'adaptateur en Y (voir « 3.3. Accessoires en option » à la page 9) pour raccorder les éléments de commande en option.

## 5.4. Branchement du commutateur principal externe

Le commutateur principal n'est pas inclus dans la livraison.

1. Faites passer le câble de raccordement du commutateur principal par le passage de câbles [10] jusqu'à la zone de raccordement pour 230 V/400 V [1].
2. Raccordez le câble à la borne [11]. Conformez-vous au mode d'emploi du commutateur.



À la livraison, les contacts sont établis. Enlevez le pontage pour le montage.

## 5.5. Branchement de l'éclairage

1. Faites passer le câble d'éclairage par le passage de câbles [7] dans la zone de raccordement pour 230 V/400 V [1].
2. Raccordez le câble d'éclairage à la borne [8]. Conformez-vous au mode d'emploi du commutateur.

## 5.6. Branchement du commutateur d'éclairage externe

Le commutateur d'éclairage n'est pas inclus dans la livraison.

3. Faites passer le câble de raccordement du commutateur d'éclairage par le passage de câbles [10] jusqu'à la zone de raccordement pour 230 V/400 V [1].
4. Raccordez le câble à la borne [9]. Conformez-vous au mode d'emploi du commutateur.

FR

## 5.7. Branchement du ventilateur (en option)

1. Faites passer le câble du ventilateur par le passage de câbles [18] jusqu'à la zone de raccordement pour 230 V/400 V [1].
2. Raccordez le câble du ventilateur à la borne [21]. Conformez-vous au mode d'emploi du ventilateur.

## 5.8. Branchement de la sonde de poêle F1

1. Faites passer les câbles de la sonde de poêle par le passage de câbles [14] jusqu'à la zone de raccordement pour très basse tension [19].
2. Raccordez les câbles rouges de la sonde de poêle (STB) aux bornes portant l'inscription « **R-R** » sur le bloc de jonction [15].
3. Raccordez les câbles blancs de la sonde de poêle (F1) aux bornes portant l'inscription « **W-W** » sur le bloc de jonction [15].



Le mode humidité cadencée en fonctionnement à une sonde nécessite le montage de la sonde factice (voir 5.12 à la page 21).

## 5.9. Branchement du capteur d'humidité et de température FTS2 (en option)

1. Faites passer les câbles de la sonde par le passage de câbles [16] jusqu'à la zone de raccordement pour très basse tension [19].
2. Raccordez les câbles du capteur de température aux bornes portant l'inscription « **FTS2: sw-br** » sur le bloc de jonction [17].
  - a. Raccordez le câble noir à la borne « **sw** ».
  - b. Raccordez le câble brun à la borne « **br** ».
3. Raccordez les câbles du capteur d'humidité aux bornes portant l'inscription « **FTS2: gn-or-rt** » sur le bloc de jonction [17].
  - c. Raccordez le câble vert à la borne « **gn** ».
  - d. Raccordez le câble orange à la borne « **or** ».
  - e. Raccordez le câble rouge à la borne « **rt** ».

## 5.10. Branchement de la sonde de banc F2 (en option)

1. Faites passer les câbles de la sonde de banc par le passage de câbles [14] jusqu'à la zone de raccordement pour très basse tension [19].
2. Raccordez les câbles de la sonde de banc aux bornes portant l'inscription « **F2: ws-ws** » sur le bloc de jonction [17].



Le mode humidité cadencée en fonctionnement à deux sondes (F1 et F2) nécessite le montage de la sonde factice (voir 5.12 à la page 21)

### 5.11. Branchement de la sonde d'humidité WC4-H-H (en option)

1. Faites passer les câbles de la sonde par le passage de câbles **16** jusqu'à la zone de raccordement pour très basse tension **19**.
2. Raccordez les câbles de la sonde d'humidité aux bornes portant l'inscription « **WC4-H-H: br-bl-gn/ge** » sur le bloc de jonction **17**.
  - a. Raccordez le câble brun à la borne « **br** ».
  - b. Raccordez le câble bleu à la borne « **bl** ».
  - c. Raccordez le câble jaune/vert à la borne « **gn/ge** ».
3. Enlevez le cavalier FTS2 (voir « 7.1. Schéma de raccordement du module de base » à la page 23)



Le mode humidité avec la sonde d'humidité WC4-H-H peut également être utilisé sans sonde de banc F2.

### 5.12. Branchement de la sonde factice (en option)

1. Raccordez la sonde factice fournie aux bornes portant l'inscription « **WC4-H-H: br-bl** » sur le bloc de jonction **17**.

### 5.13. Branchement du module d'extension de puissance (en option)

1. Faites passer le câble du module d'extension de puissance par le passage de câbles **7** jusqu'à la zone de raccordement pour 230 V/400 V **1**.
2. Raccordez la ligne de l'extension de puissance aux borniers **2** et **3**. Pour ce faire, utilisez la borne « **ST1** » pour le circuit de sécurité (ST1) et la borne « **V** » pour le circuit de commande (ST2). Conformez-vous au mode d'emploi de chaque appareil.



À la livraison, une vis en plastique est fixée sur la borne ST1. Si c'est le cas, elle doit être enlevée.

### 5.14. Branchement du démarrage à distance

Le raccordement s'effectue via les bornes « **Remote start** » dans la zone de raccordement pour très basse tension **19**.

Les +12 V CC sortants doivent être renvoyés à la borne par un commutateur (contact permanent). Le dernier mode de fonctionnement utilisé peut être activé.

## 5.15. Fin de l'installation

1. Raccordez le fil de terre du câble d'alimentation et de tous les appareils à la barre de terre [3].
2. Scellez le bloc de puissance.

## 6. Exécution des contrôles

Les contrôles suivants doivent être exécutés par un installateur-électricien agréé.



### **AVERTISSEMENT !**

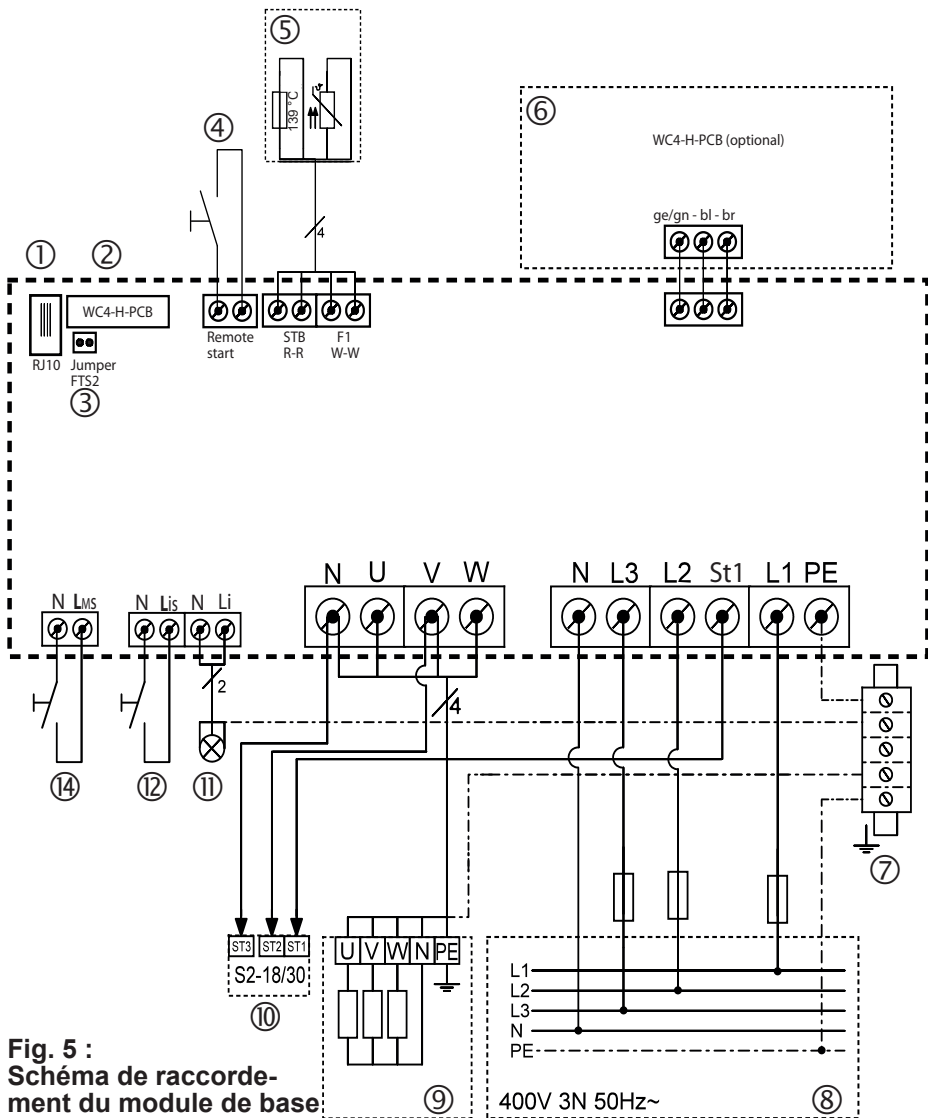
***Les contrôles suivants doivent être effectués sous tension.  
Attention au risque d'électrocution.***

- Ne touchez JAMAIS de pièces conductrices sous tension.

1. Contrôlez le contact des câbles de terre à la borne de mise à la terre.
2. Contrôlez le dispositif de protection contre la surtempérature de la sonde de poêle F1.
  - a. Mettez la commande de sauna en marche.
  - b. Ouvrez la sonde de poêle et débranchez un des deux câbles rouges de la sonde de poêle.
    - ▶ L'écran affiche « -30 » et tous les symboles clignotent
    - ▶ La commande éteint le poêle.
  - c. Éteignez la commande de sauna à l'aide du commutateur principal.
  - d. Rebranchez le câble rouge de la sonde de poêle.
  - e. Débranchez maintenant un des câbles blancs de la sonde de poêle.
  - f. Mettez la commande de sauna en marche.
    - ▶ L'écran affiche « -21 » et tous les symboles clignotent
    - ▶ La commande éteint le poêle.
  - g. Éteignez la commande de sauna à l'aide du commutateur principal.
  - h. Rebranchez le câble blanc de la sonde de poêle.
3. Vérifiez la commutation des phases L1, L2, L3 en U, V, W.
4. Contrôlez la puissance de chauffage maximale autorisée de 3,7 kW par phase.
5. En option - avec carte d'extension : vérifiez la commutation des phases pour le mode évaporateur L1, L2, L3 en U1, V, W.
6. En cas d'extension de puissance en option : contrôlez les câbles de commande ST1, ST2 et ST3.

## 7. Schéma de raccordement

### 7.1. Schéma de raccordement du module de base



FR

**Fig. 5 :**  
**Schéma de raccorde-**  
**ment du module de base:**

Poêle [kW]	Câble d'alimentation Câble de poêle (résistant à une température allant jusqu'à 150 °C)	Fusible [A]
0 - 6,9	5 x 1,5 mm <sup>2</sup>	3 x 10
< 6,9 - 11	5 x 2,5 mm <sup>2</sup>	3 x 16

- |   |                                     |
|---|-------------------------------------|
| ① RJ10 Raccordement de l'élément de commande                | ⑨ Système de chauffage (11 kW max.) |
| ② Carte d'extension   | ⑩ Extension de puissance            |
| ③ Cavalier pour FTS2  | ⑪ Éclairage                         |
| ④ Démarrage à distance                                      | ⑫ Commutateur d'éclairage           |
| ⑤ Sonde de poêle à limiteur de température de sécurité (F1) | ⑬ Commutateur principal             |
| ⑥ Carte d'extension   | ⑭ Évaporateur (3 kW max.)           |
| ⑦ Fil de terre  | ⑮ Ventilateur                       |
| ⑧ Alimentation électrique de la commande de sauna           | ⑯ Sonde de banc (F2/FTS2)           |
|   | ⑰ Sonde d'humidité (WC4-H-H/FTS2)   |

## 7.2. Schéma de raccordement de la carte d'extension (en option)

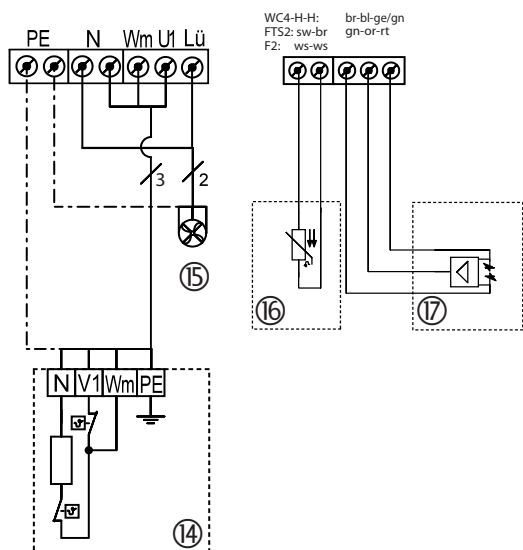
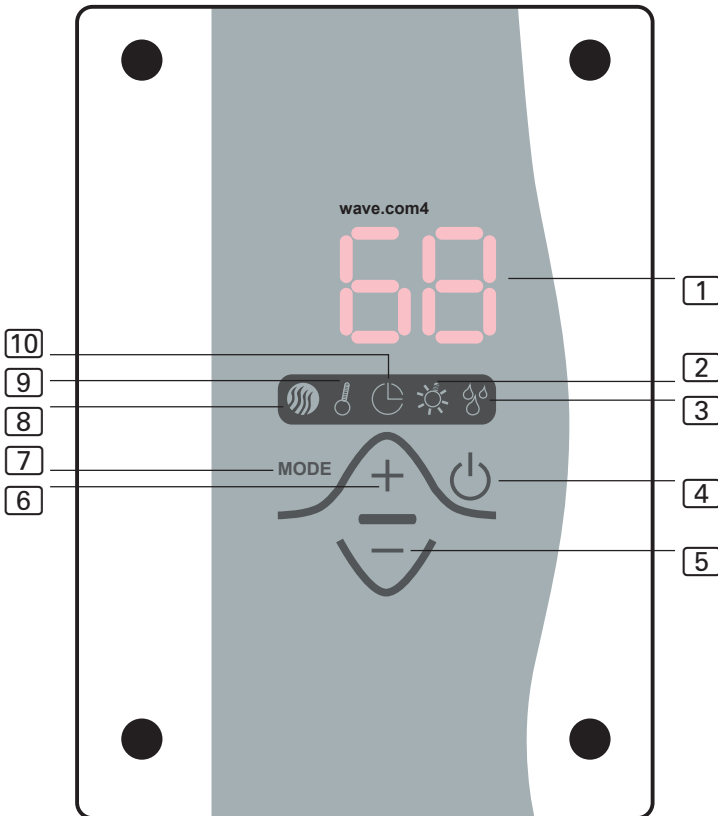


Fig. 6 : Schéma de raccordement de la carte d'extension



## 8. Élément de commande et d'affichage



1	Écran (affichage sept segments à 3 caractères)	6	Plus
2	Voyant de contrôle : <i>Éclairage</i>	7	Mode (réglages)
3	Voyant de contrôle : <i>Humidité</i>	8	Voyant de contrôle : <i>Veille</i>
4	Marche/arrêt	9	Voyant de contrôle : <i>Température</i>
5	Moins	10	Voyant de contrôle : <i>Minuterie</i>

## 9. Utilisation

Tenez compte du « 8. Élément de commande et d'affichage » à la page 25.

### 9.1. Mise en marche

Pour activer la commande, activez le commutateur principal externe (en option).

- ▶ Le voyant de contrôle Veille [8] est allumé en continu.

### 9.2. Réglage de la durée de chauffage

La durée de chauffage peut être réglée en heures (1 - 12).

Pour cette programmation, la commande doit se trouver en Veille.

Appuyez simultanément sur les touches Marche/Arrêt [4] et Moins [5] pendant 3 secondes.

- ▶ La dernière durée réglée clignote à l'écran [1].

Sélectionnez la durée de chauffage souhaitée à l'aide des touches Moins [5]/ Plus [6] (AUS, 1 - 12).

Confirmez votre sélection avec la touche Marche/Arrêt [4], vous serez directement dirigé vers le réglage de la langue (voir Page 26). Appuyez sur la touche Marche/Arrêt [4] pour valider.

- ▶ Le voyant de contrôle Veille [8] est allumé.

### 9.3. Réglage de la langue

Les langues suivantes sont disponibles :

allemand, anglais, français, italien, néerlandais

Pour cette programmation, la commande doit se trouver en Veille.

Appuyez simultanément sur les touches Marche/Arrêt [4] et Moins [5] pendant 3 secondes.

Vous accédez ainsi au menu de la durée de chauffage. Passez au menu des langues à l'aide de la touche Mode [7]. Faites-y votre sélection avec les touches Moins [5]/Plus [6].

Confirmez votre sélection avec la touche Mode [7].

## 9.4. Activation de l'éclairage (lumière de nettoyage)

L'éclairage (lumière de nettoyage) dans la cabine de sauna peut être allumé et éteint par un commutateur externe quel que soit le mode de fonctionnement.

L'éclairage (lumière de nettoyage) dans la cabine de sauna peut être allumé et éteint sur l'élément de commande au moyen d'une pression sur la touche Marche/Arrêt [4]. (Pour cela, la commande doit être en mode Veille). La lumière s'éteint automatiquement au bout de 5 minutes.

- ▶ Le voyant de contrôle Veille [8] clignote = mode Veille

L'éclairage dans la cabine de sauna peut être tamisé. Pour cela, la commande doit se trouver en mode *FIN* ou *FEU* (voir « 9.12. Tamisage de la lumière » à la page 29).

## 9.5. Sélection du mode de fonctionnement

Les modes de fonctionnement suivants sont disponibles :

- Mode Sauna « *FIN* » (=standard)
- Mode combiné « *FEU* »
- Lumière de nettoyage « *AUS* »

Appuyez sur la touche Marche/Arrêt [4] et sélectionnez le mode de fonctionnement souhaité à l'aide des touches Moins [5]/Plus [6].

## 9.6. Activation du mode Sauna *FIN*

Sélectionnez le mode *FIN*. Appuyez ensuite brièvement sur la touche Marche/Arrêt [4].

- ▶ La commande commence par les derniers réglages de ce mode de fonctionnement.
- ▶ Les voyants de contrôle Veille [8] et Température [9] s'allument.

Sélectionnez la température souhaitée à l'aide des touches Moins [5]/Plus [6] (< 110 °C)

- ▶ L'écran [1] affiche la température souhaitée (valeur de consigne) pendant quelques secondes, puis la température mesurée (valeur effective) est affichée.

## 9.7. Désactivation du mode Sauna *FIN*

Appuyez brièvement sur la touche Marche/Arrêt [4].

- ▶ Le poêle du sauna est arrêté.
- ▶ Le voyant de contrôle Veille [8] clignote. Vous êtes en mode de fonctionnement **AUS**
- ▶ L'éclairage (lumière de nettoyage) est allumé.

Pour éteindre la commande, appuyez brièvement sur la touche Marche/Arrêt [4]

- ▶ Le voyant de contrôle Veille [8] clignote = mode Veille

## 9.8. Activation du mode combiné *FEU*

Sélectionnez le mode **FEU**. Appuyez brièvement sur la touche Marche/Arrêt [4].

- ▶ La commande commence par les derniers réglages de ce mode de fonctionnement.
- ▶ Les voyants de contrôle Veille [8] et Température [9] s'allument.

Sélectionnez la température souhaitée à l'aide des touches Moins [5]/Plus [6].

- ▶ L'écran [1] affiche la température souhaitée (valeur de consigne) pendant quelques secondes, puis la température mesurée (valeur effective) est affichée.

Appuyez sur la touche Mode [7] jusqu'à ce que le voyant de contrôle de l'humidité [3] s'allume.

Sélectionnez l'humidité souhaitée à l'aide des touches Moins [5] et Plus [6] (< 70 °C, voir « Fig. 1 : Courbe caractéristique de l'humidité en fonction de la température » à la page 11)

- ▶ L'écran [1] affiche l'humidité souhaitée (valeur de consigne).  
Si une sonde d'humidité (en option) est installée, l'humidité mesurée (valeur effective) s'affiche après quelques secondes.

## 9.9. Désactivation du mode combiné *FEU*

Appuyez brièvement sur la touche Marche/Arrêt [4].

- ▶ Le poêle du sauna et l'évaporateur sont éteints.
- ▶ Le voyant de contrôle Veille [8] clignote. Vous êtes en mode de fonctionnement **AUS**
- ▶ L'éclairage (lumière de nettoyage) est allumé.

Pour éteindre la commande, appuyez brièvement sur la touche Marche/Arrêt [4]

- ▶ Le voyant de contrôle Veille [8] clignote = mode Veille

## 9.10. Arrêt du programme de séchage final

Le programme de séchage final démarre automatiquement après le mode mixte. Le message « dry » apparaît sur l'affichage [1] et le voyant de contrôle Humidité clignote. Paramètres possibles pour le programme de séchage final, voir « **Réglage du programme de séchage final** » à la page 33

- ▶ Appuyez simultanément sur les touches Marche/Arrêt [4] et Moins [5] pendant environ 3 secondes.



Afin d'éviter la formation de moisissure et de pourriture, le programme de séchage rapide ne doit PAS être interrompu.

## 9.11. Réglage de la minuterie

La minuterie peut être réglée en minutes (0 - 99). Un signal acoustique (buzzer dans le bloc de puissance) retentit après l'expiration du temps.

Appuyez sur la touche Mode [7] jusqu'à ce que le voyant de contrôle Minuterie [10] s'allume. Sélectionnez l'intervalle souhaité à l'aide des touches Moins [5]/Plus [6].

- ▶ L'affichage [1] indique la durée restante.

## 9.12. Tamisage de la lumière

L'éclairage dans la cabine de sauna peut être tamisé. Pour cela, la commande doit se trouver en mode *FIN* ou *FEU*.

Appuyez sur la touche Mode [7] jusqu'à ce que le voyant de contrôle Éclairage [2] s'allume.

- ▶ Sélectionnez l'intensité souhaitée pour l'éclairage de la cabine en appuyant longuement sur les boutons Moins [5] ou Plus [6].
- ▶ En appuyant brièvement sur la touche Plus [6], vous réglez l'éclairage de la cabine au maximum (100).
- ▶ En appuyant brièvement sur la touche Moins [5], vous désactivez l'éclairage de la cabine (0).



Quand le commutateur d'éclairage est activé, l'éclairage de la cabine est allumé à la puissance maximale. Si vous souhaitez tamiser la lumière à l'aide de l'élément de commande, le commutateur d'éclairage externe doit être en position AUS.

### 9.13. Paramétrage du démarrage différé

Le démarrage différé peut être réglé en heures (1 - 24).

Pour cela, la commande doit être en mode Veille.

Appuyez simultanément sur les touches Marche/Arrêt [4] et Plus [6] pendant 3 secondes.

- ▶ La dernière durée réglée clignote à l'écran [1].

Sélectionnez le démarrage différé souhaité à l'aide des touches Moins [5]/ Plus [6] (AUS, 1 - 24).

Passez au mode de fonctionnement souhaité *FIN* ou *FEU* avec la touche Mode [7] et confirmez avec la touche Marche/Arrêt [4].

- ▶ L'affichage [1] indique le démarrage différé sélectionné.
- ▶ Les voyants de contrôle Veille [8] et Minuterie [10] s'allument.

Une fois le temps écoulé, le mode de fonctionnement sélectionné est lancé.



En cas de panne de courant ou de mise en marche manuelle, le démarrage différé est désactivé

### 9.14. Mode ECO

Le mode ECO vous permet de retrouver la même température de cabine après une pause. Les modes suivants sont disponibles :

- ECO20 pour une pause sauna de 20 minutes
- ECO40 pour une pause sauna de 40 minutes
- ECO60 pour une pause sauna de 60 minutes

Pour cela, la commande doit se trouver en mode *FEU*.

Appuyez sur la touche Mode [7] jusqu'à ce que le voyant de contrôle de la température [9] s'allume.

- ▶ L'affichage [1] indique la température souhaitée
- ▶ Les voyants de contrôle Veille [8] et Température [9] s'allument.

Appuyez simultanément sur les boutons Plus [6] et Moins [5] pendant 3 secondes. Sélectionnez le mode ECO souhaité à l'aide des touches Moins [5]/Plus [6] (AUS, E20, E40, E60).

Confirmez votre sélection avec la touche Mode [7], la pause est maintenant lancée.

## 9.15. Activation du mode de veille de l'actionnement à distance

Selon la norme EN 60335-2-53, les commandes de sauna avec fonction d'activation à distance doivent être réglées manuellement sur le mode de fonctionnement « Veille d'actionnement à distance ». Cette activation doit être répétée après chaque procédure de démarrage et d'arrêt à distance. Pour cela, suivez les étapes suivantes :

Assurez-vous que la commande de sauna se trouve en mode veille.

Appuyez simultanément sur la touche Marche/Arrêt [4] et la touche Mode [7] pendant environ 3 secondes.

- ▶ « rc » (remote control) clignote sur l'écran [1].
- ▶ Le système de démarrage et d'arrêt de la commande de sauna par signal à distance est maintenant opérationnel.
- ▶ L'affichage « rc » et le symbole de démarrage à distance s'éteignent après l'exécution de chaque procédure de démarrage ou d'arrêt à distance.

En outre le mode de fonctionnement doit être réactivé.



Pour annuler la fonction « Veille pour la télécommande », appuyez sur le bouton On/Off [4] pendant environ 3 secondes.

## 9.16. Activation du démarrage à distance

L'activation du démarrage à distance sélectionne la fonction de sortie de démarrage à distance (voir EN60335-2-53). Connexion : voir « 5.14. Connexion du démarrage à distance » à la page 21.

- Par défaut, l'activation du démarrage à distance est réglée sur OFF. Le démarrage à distance est activé en utilisant « Mode de veille d'actionnement à distance ».
- Si vous souhaitez utiliser la sortie de démarrage à distance pour des appareils divers (tels qu'un monnayeur, un système de démarrage à distance, une surveillance des portes), procédez comme suit :

Pour cette programmation, la commande doit se trouver en Veille.

Appuyez pendant 3 secondes simultanément sur les boutons On/Off [4] et Moins [5].

Vous accédez ainsi au menu de la durée de chauffage.

Passez au menu des langues avec la touche Mode [7].

Passez à l'activation du démarrage à distance avec la touche Mode [7]

Faites votre sélection ici avec les touches Moins [5] / Plus [6].

Confirmez votre sélection avec la touche Mode [7].

## 9.17. Activation d'un élément de commande supplémentaire

Jusqu'à quatre éléments de commande peuvent être raccordés (voir « 5.3. Branchement de l'élément de commande » à la page 18).

Activez la commande (le voyant de contrôle Veille **[8]** s'allume).

Débranchez le câble de données de l'élément de commande supplémentaire. Maintenez les touches Moins **[5]** et Plus **[6]** de l'élément de commande débranché enfoncées tout en rebranchant le câble de données.

- La dernière adresse de bus définie clignote sur l'écran **[1]**

Sélectionnez l'adresse de bus souhaitée à l'aide des touches Moins **[5]**/Plus **[6]** (0 - 3). Confirmez votre choix avec la touche Mode **[7]**.

Veillez à ce que la commande soit éteinte pendant 10 secondes après les modifications, afin que le réglage puisse être enregistré.



Si vous utilisez plusieurs éléments de commande, vous devez attribuer une adresse de bus à chaque élément de commande. L'adresse 0 est la valeur par défaut. Chaque adresse (0 - 3) ne peut être utilisée qu'une seule fois.

## 9.18. Réglage du signal acoustique

Le signal acoustique peut être paramétré pour les fonctions suivantes :

Pour cela, la commande doit se trouver en mode *FIN* ou *FEU*.

Appuyez sur la touche Mode **[7]** jusqu'à ce que le voyant de contrôle Minuterie **[10]** s'allume.

- La valeur de la fonction réglée clignote dans l'affichage **[1]**

Sélectionnez la valeur souhaitée à l'aide des touches Moins **[5]**/Plus **[6]**. Confirmez votre choix avec la touche Mode **[7]**.

Valeur	Fonction	Description de la fonction
0	Silencieux	Pas de signal acoustique
1	Minuterie	Minuterie active pendant 1 seconde après l'expiration
2	Manque d'eau	Signal sonore continu en cas de manque d'eau
3	Minuterie + manque d'eau	Les deux fonctions sont actives (=standard)



## 9.19. Activation du changement d'affichage

Le défilement de l'affichage fait que la température et l'humidité (en option) sont affichées en alternance à l'écran [1] (intervalle de 10 secondes)

Pour cela, la commande doit se trouver en mode *FIN* ou *FEU*.

Appuyez sur la touche Mode [7] jusqu'à ce que le voyant de contrôle Éclairage [2] s'allume.

Appuyez simultanément sur les touches Moins [5] et Plus [6] pendant 3 secondes.

- ▶ AUS clignote sur l'écran [1] (=standard)

Passez avec la touche Plus [6] sur EIN. Confirmez votre choix avec la touche Mode [7].

- ▶ Le voyant de contrôle Veille [8] est allumé.

## 9.20. Réglage du programme de séchage final

La durée et la température du programme de séchage final peuvent être réglées.

Pour cela, la commande doit se trouver en mode *FEU*.

Appuyez sur la touche Mode [7] jusqu'à ce que le voyant de contrôle de l'humidité [3] s'allume.

Appuyez simultanément sur les boutons Plus [6] et Moins [5] pendant 3 secondes.

- ▶ 0 clignote sur l'écran [1] (=standard)

Si nécessaire, la valeur de température affichée peut maintenant être corrigée à l'aide des touches Plus/Moins (-9 à +9).

Appuyez sur la touche Mode [7].

- ▶ Les voyants de contrôle Veille [8], Minuterie [10] et Humidité [3] s'allument
- ▶ L'affichage [1] fait clignoter le temps de séchage final réglé pour le chauffage et le ventilateur (0 - 120 min. ; 15 min. = standard)

Sélectionnez la valeur souhaitée à l'aide des touches Moins [5]/Plus [6].

Appuyez sur la touche Mode [7].

- ▶ Les voyants de contrôle Veille [8] et Heure [10] s'allument.
- ▶ L'affichage [1] fait clignoter le temps de séchage final réglé sans chauffage, mais avec ventilateur (0 - 30 min. ; 15 min. = standard)

Sélectionnez la valeur souhaitée à l'aide des touches Moins [5]/Plus [6].

Appuyez sur la touche Mode [7].

- ▶ Les voyants de contrôle Veille [8] et Température [9] s'allument.
- ▶ La température réglée pour le séchage final (70 - 90 °C ; 80 °C=standard) clignote sur l'écran [1]

Sélectionnez la valeur souhaitée à l'aide des touches Moins [5]/Plus [6].

Confirmez votre choix avec la touche MARCHE/ARRÊT [4].

## 9.21. Arrêt de la commande de sauna

Si vous n'utilisez pas la commande de sauna pendant une période prolongée, désactivez la commande de sauna avec le commutateur principal **[11]**.

# 10. Nettoyage et entretien

## 10.1. Nettoyage

### ATTENTION !

#### *Endommagement de l'appareil*

La commande de sauna est protégée contre les projections d'eau, mais un contact direct avec de l'eau peut quand même endommager l'appareil.

- Ne plongez JAMAIS l'appareil dans l'eau.
- Ne versez JAMAIS d'eau sur l'appareil.
- Ne nettoyez pas l'appareil avec trop d'eau.

1. Imbibez un chiffon de savon doux.
2. Essorez bien le chiffon.
3. Essuyez le boîtier de la commande de sauna avec précaution.

## 10.2. Entretien

La commande de sauna ne nécessite aucun entretien.

# 11. Élimination



- Éliminez les matériaux d'emballage conformément aux directives en vigueur relatives à l'élimination.
- Les appareils usagés contiennent des matériaux recyclables, mais aussi des substances toxiques. Par conséquent, ne jetez en aucun cas votre appareil usagé avec les déchets ménagers. Éliminez-le conformément aux directives locales en vigueur.

## 12. Dépannage

### 12.1. Messages d'erreur

La commande de sauna est équipée d'un logiciel de diagnostic qui contrôle l'état du système pendant la mise en marche et le fonctionnement. Dès que le logiciel de diagnostic détecte une erreur, la commande de sauna éteint le poêle.

Les symboles de fonctionnement clignotent et un numéro d'erreur est affiché sur l'écran **1**. Arrêtez la commande de sauna à l'aide du commutateur principal et éliminez l'erreur avant de rallumer la commande de sauna.

Le tableau ci-dessous décrit les erreurs possibles et leurs causes. Si nécessaire, indiquez le numéro de l'erreur à votre service clientèle.

Erreur n°	Description	Remède/cause
-5	Aucun élément de commande raccordé.	Aucun élément de commande raccordé ou mauvais contact.
-10	Aucun élément de commande raccordé après qu'au moins un élément ait été détecté au démarrage.	Vérifiez le contact avec l'élément de commande.
-21	Sonde de température du poêle cassée.	Sonde de température défectueuse ou mauvais contact.
-22	Court-circuit de la sonde de température du poêle.	Sonde de température défectueuse ou court-circuit.
-24	Sonde de température du banc cassée.	Sonde de température défectueuse ou mauvais contact.
-25	Court-circuit de la sonde de température du banc.	Sonde de température défectueuse ou court-circuit.
-26	Sonde d'humidité cassée.	Sonde d'humidité défectueuse ou raccordement mauvais/erroné.
-27	Court-circuit de la sonde d'humidité.	Sonde d'humidité défectueuse, raccordement mauvais/erroné ou court-circuit.
-30	Fusible thermique défectueux.	Sonde de poêle défectueuse, mauvais contact ou fusible thermique non connecté.

## 12.2. Fusibles

Les fusibles pour l'électronique et l'éclairage se trouvent dans la zone de raccordement du module de base. Ils peuvent être commandés sous la référence 1-30-174 (10 pièces).

Un fusible pour le ventilateur se trouve sur la carte d'extension.

## 12.3. Correction de la température

Il est possible de corriger la valeur de température affichée. C'est possible dans la plage  $-9\text{ °C}/+9\text{ °C}$ .

Pour cela, la commande doit se trouver en mode *FIN*.

Appuyez sur la touche Mode [7] jusqu'à ce que le voyant de contrôle de la température [9] s'allume.

Appuyez simultanément sur les boutons Plus [6] et Moins [5] pendant 3 secondes.

► AUS clignote sur l'écran [1]

Appuyez simultanément sur les boutons MARCHE/ARRÊT [4] et Mode [7] pendant 3 secondes.

► 0 clignote sur l'écran [1] (=standard)

La valeur de température affichée peut maintenant être corrigée avec les touches Plus [6] et Moins [5] ( $\Delta t$  :  $-9$  à  $+9\text{ °C}$ ).

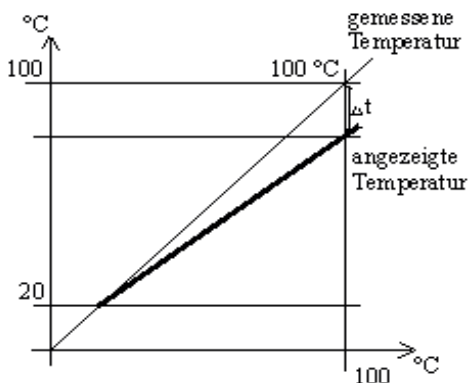


Fig. 7 : Correction de la température

## 13. Caractéristiques techniques

### Conditions ambiantes

---

Température de stockage :	de -25 °C à +70 °C
Humidité de l'air :	max. 95 % sans condensation

### Bloc de puissance

---

Dimensions (l x h x p) :	320 x 220 x 110 mm
Température ambiante :	de 0 °C à +50 °C
Tension de commutation/triphasée 3N :	400 V CA
Fréquence :	50 Hz
Puissance de commutation/radiateur :	3 x 3,7 kW
Courant de commutation par phase/radiateur :	16 A
Capacité de commutation/évaporateur (en option) :	3 kW
Courant de commutation/évaporateur (en option) :	16 A
Classe de protection :	IP65
Fusible :	1 A T
Raccordement au réseau d'alimentation en raccordement fixe	

### Panneau de commande

---

Câble de raccordement :	RJ10 - 4 pôles
Dimensions (l x h x p) :	92 x 120 x 44,5 mm
Température ambiante :	de 0 °C à +100 °C
Découpe de montage (Ø x T) :	Ø 70 x 35 mm
Classe de protection :	IP54

FR

### Éclairage

---

Puissance de commutation :	100 W
Fusible :	1 A T

### Ventilateur

---

Puissance de commutation :	100 W
Fusible :	4 A T



### **Plages de réglage**

Température :	de 30 °C à 110 °C
Humidité :	de 30 % à 99 %

L'humidité maximale pouvant être réglée dépend de la température du sauna. Plus la température du sauna est élevée, plus la valeur de l'humidité réglable maximale est basse.

### **Sécurité thermique**

Sonde de poêle avec dispositif de protection contre la surtempérature (température de déclenchement : 139 °C)

Limite de temps de chauffage automatique réglable (1 à 12 heures)\*

Au choix, fonctionnement à une ou deux sondes

### **Câbles de raccordement**

Câble d'alimentation :	min. 5 x 2,5 mm <sup>2</sup>
Câble de poêle (résistant à une température allant jusqu'à 150 °C) :	min. 2,5 mm <sup>2</sup>
Câbles de sonde (résistant à une température allant jusqu'à 150 °C) :	0,5 mm <sup>2</sup>
Câble d'éclairage :	1,5 mm <sup>2</sup>
Câble de ventilateur :	1,5 mm <sup>2</sup>

\* La norme EN 60335-2-53 prévoit une limitation de la durée de chauffage de 6 h pour les saunas privés. Pour les saunas dans les hôtels, les immeubles et les endroits similaires, la limitation de la durée de chauffage autorisée est de 12 h.

Poêle [kW]	Câble d'alimentation Câble de poêle (résistant à une température allant jusqu'à 150 °C)	Fusible [A]
0 - 6,9	5 x 1,5 mm <sup>2</sup>	3 x 10
< 6,9 - 11	5 x 2,5 mm <sup>2</sup>	3 x 16

# Comando della sauna **wave.com4 11 kW**

ISTRUZIONI DI MONTAGGIO E PER L'USO  
Italiano



WC4-B-D/W/S



WC4-B-11

IT

**wave.com 4 Modulo base 11 kW**

**1-049-633/WC4-B-11**

**wave.com 4 Unità di comando legno scuro**

**1-008-128/WC4-B-D**

**wave.com 4 Unità di comando nero**

**1-010-433/WC4-B-S**

**wave.com 4 Unità di comando bianco**

**1-010-433/WC4-B-W**

# Indice

<b>1. Informazioni sul presente manuale</b>	<b>5</b>
<b>2. Importanti indicazioni per la sicurezza personale</b>	<b>6</b>
2.1. Conformità d'uso	6
2.2. Indicazioni di sicurezza per l'installatore	7
2.3. Indicazioni di sicurezza per l'utilizzatore	8
<b>3. Descrizione del prodotto</b>	<b>9</b>
3.1. Dotazione	9
3.2. Non compreso nella fornitura	9
3.3. Accessori opzionali	9
3.4. Funzioni del prodotto	10
3.5. Modalità di funzionamento della sauna	11
3.6. Modalità di funzionamento con sensori	11
<b>4. Montaggio</b>	<b>13</b>
4.1. Montaggio dell'unità di potenza	13
4.2. Montaggio dell'interruttore principale	13
4.3. Montaggio luce della cabina/interruttore della luce	13
4.4. Montaggio della scheda di ampliamento (opzionale)	14
4.5. Montaggio dell'unità di comando	14
4.6. Montaggio del sensore della stufa F1 con fusibile termico di protezione	15
4.8. Montaggio del sensore della panca F2 (opzionale)	16
4.9. Montaggio del sensore di umidità WC4-H-H (opzionale)	16
4.7. Montaggio del sensore di umidità e temperatura FTS2 (opzionale)	16
<b>5. Collegamento elettrico</b>	<b>17</b>
5.1. Collegamento del cavo di alimentazione e della stufa	18
5.2. Collegamento dell'evaporatore (opzionale)	18
5.3. Collegamento dell'unità di comando	18



5.4.	Collegamento dell'interruttore principale esterno.....	19
5.5.	Collegamento del cavo della luce.....	19
5.6.	Collegamento dell'interruttore della luce esterna.....	19
5.7.	Collegamento del ventilatore (opzionale).....	19
5.8.	Collegamento del sensore della stufa F1.....	20
5.9.	Collegamento del sensore di umidità e temperatura FTS2 (opzionale).....	20
5.10.	Collegamento del sensore della panca F2 (opzionale).....	20
5.11.	Collegamento del sensore di umidità WC4-H-H (opzionale).....	21
5.12.	Collegamento del sensore fittizio (opzionale).....	21
5.13.	Collegamento dell'ampliamento della potenza (opzionale).....	21
5.14.	Collegamento dell'avvio remoto .....	21
5.15.	Conclusione dell'installazione.....	22
<b>6.</b>	<b>Esecuzione delle prove</b> .....	<b>22</b>
<b>7.</b>	<b>Schema di collegamento</b> .....	<b>23</b>
7.1.	Modulo base dello schema di collegamento.....	23
7.2.	Schema di collegamento scheda di ampliamento (opzionale).....	24
<b>8.</b>	<b>Elemento di comando e di visualizzazione</b> .....	<b>25</b>
<b>9.</b>	<b>Utilizzo</b> .....	<b>26</b>
9.1.	Accensione.....	26
9.2.	Impostazione del tempo di riscaldamento.....	26
9.3.	Impostazione della lingua.....	26
9.4.	Accensione della luce (luce pulizia).....	27
9.5.	Selezione della modalità operativa.....	27
9.6.	Avvio del funzionamento della sauna in modalità <b>FIN</b> .....	<b>27</b>
9.7.	Disattivazione del funzionamento della sauna in modalità <b>FIN</b> .....	<b>28</b>
9.8.	Avvio del funzionamento in modalità combinata <b>FEU</b> .....	<b>28</b>
9.9.	Disattivazione del funzionamento in modalità combinata <b>FEU</b> .....	<b>28</b>
9.10.	Interruzione del programma di asciugatura successiva.....	29

9.11. Impostazione del timer.....	29
9.12. Regolazione della luce.....	29
9.13. Impostazione della preselezione oraria.....	30
9.14. Modalità ECO.....	30
9.15. Attivazione Stand-by per telecomando.....	31
9.16. Abilitazione dell'avvio remoto.....	31
9.17. Attivazione dell'unità di comando supplementare.....	32
9.18. Impostazione del segnale acustico.....	32
9.19. Attivazione del cambio di visualizzazione.....	33
9.20. Impostazione del programma di asciugatura successiva.....	33
9.21. Spegnimento del comando della sauna.....	34
<b>10. Pulizia e manutenzione.....</b>	<b>34</b>
10.1. Pulizia.....	34
10.2. Manutenzione.....	34
<b>11. Smaltimento.....</b>	<b>34</b>
<b>12. Risoluzione dei problemi.....</b>	<b>35</b>
12.1. Messaggi di errore.....	35
12.2. Fusibili.....	36
12.3. Correzione della temperatura.....	36
<b>13. Specifiche tecniche.....</b>	<b>37</b>

# 1. Informazioni sul presente manuale

Leggere dettagliatamente le presenti istruzioni di montaggio e d'uso e conservarle in prossimità del comando della sauna. Così facendo è possibile controllare in ogni momento le informazioni sulla sicurezza e sull'utilizzo.



Le presenti istruzioni di montaggio e d'uso si trovano anche nell'area di download della nostra pagina web all'indirizzo:  
[www.sentiotec.com/downloads](http://www.sentiotec.com/downloads).

## **Simboli nelle avvertenze**

Nelle presenti istruzioni di montaggio e d'uso, prima di ogni attività che genera un pericolo è applicata un'avvertenza. Osservare sempre queste avvertenze. Così facendo, si evitano danni a beni materiali e lesioni che, nel peggiore dei casi, possono essere addirittura mortali.

Nelle avvertenze vengono utilizzati pittogrammi che hanno i seguenti significati:



### **PERICOLO!**

L'inosservanza di questa avvertenza può causare lesioni gravi o addirittura mortali.



### **AVVERTENZA!**

L'inosservanza di questa avvertenza può causare lesioni gravi o addirittura mortali.



### **ATTENZIONE!**

L'inosservanza di questa avvertenza può causare lesioni lievi.

### **ATTENZIONE!**

Questo pittogramma avverte della possibilità di danni a beni materiali.

## **Altri simboli**



Questo simbolo indica consigli e indicazioni utili.

## **2. Importanti indicazioni per la sicurezza personale**

Il comando della sauna wave.com4 11 kW è costruito secondo le regole di sicurezza tecniche riconosciute. Tuttavia, durante l'utilizzo possono presentarsi pericoli. Osservare quindi le seguenti indicazioni di sicurezza e le avvertenze speciali riportate nelle istruzioni di montaggio e d'uso. Osservare anche le indicazioni di sicurezza degli apparecchi collegati.

### **2.1. Conformità d'uso**

Il comando della sauna wave.com4 11 kW serve esclusivamente ad azionare e regolare le funzioni conf. ai dati tecnici.

Il comando della sauna può essere impiegato esclusivamente per il comando e la regolazione di 3 circuiti termici con una potenza termica max di 3,7 kW per circuito.

Utilizzando la scheda d'ampliamento opzionale per wave.com4 (WC4-H-PCB), la potenza massima dell'evaporatore è di 3,0 kW.

Secondo la norma EN 60335- 2- 53, le unità di controllo della sauna con telecomando devo essere utilizzate solo per il comando e la regolazione di una stufa per sauna che superi la prova di copertura secondo il paragrafo 19.101. In alternativa, deve essere installato un dispositivo di sicurezza appropriato (ad esempio: spegnimento di sicurezza, contatto porta...).

Qualsiasi altro utilizzo è considerato improprio. Un utilizzo improprio può causare danni al prodotto e lesioni gravi o mortali. La garanzia è nulla in caso di utilizzo non conforme all'uso previsto.

## 2.2. Indicazioni di sicurezza per l'installatore

- Il collegamento elettrico deve essere eseguito solo da elettricisti specializzati o da persone con una qualifica simile. Tenere presente che, in caso di richiesta di garanzia, è necessario presentare una copia della fattura rilasciata dalla ditta di elettricisti.
- I lavori da effettuare sul comando della sauna devono essere eseguiti solo in assenza di tensione.
- Per l'installazione, predisporre sul posto un dispositivo di separazione su tutti i poli con disinnesto totale corrispondente alla categoria di sovratensione III.
- L'unità di potenza del wave.com4 11 kW (WC4-B-11) deve essere installata conf. ai dati tecnici.
- L'elemento di comando può essere montato dentro e fuori della sauna, tuttavia è assolutamente necessario seguire le istruzioni di montaggio e d'uso allegate.
- Osservare anche le disposizioni locali valide sul luogo di installazione.
- Qualora si presentassero problemi non trattati in modo esaustivo nelle presenti istruzioni di montaggio, per la vostra sicurezza vi preghiamo di rivolgervi al vostro fornitore.

### 2.3. Indicazioni di sicurezza per l'utilizzatore

- Il comando della sauna non deve essere utilizzato da bambini di età inferiore agli 8 anni.
- Il comando della sauna può essere utilizzato da bambini sopra gli 8 anni di età, da persone con capacità fisiche, sensoriali o mentali limitate o prive della sufficiente esperienza e del know-how necessari nei seguenti casi:
  - se sono in presenza di persone responsabili per loro,
  - se è stato spiegato loro come utilizzare l'apparecchio in modo sicuro e sono chiari i pericoli che ne possono derivare.
- Ai bambini non è permesso giocare con il comando della sauna.
- I bambini al di sotto dei 14 anni possono pulire il comando della sauna solo in presenza di adulti.
- Se si è sotto l'effetto di alcol, medicinali o droghe, per motivi di salute evitare l'uso della sauna.
- Prima di accendere il comando della sauna, assicurarsi che sulla stufa per sauna non si trovino oggetti infiammabili.
- Accertarsi che nessun oggetto infiammabile si trovi sulla stufa della sauna prima di attivare la funzione tempo preimpostato o la modalità stand-by per l'avvio remoto.
- Qualora si presentassero problemi non trattati in modo esaustivo nelle istruzioni per l'uso, per la vostra sicurezza, vi preghiamo di rivolgervi al vostro fornitore.

### 3. Descrizione del prodotto

Il comando della sauna wave.com4 11 kW è un'unità di comando divisa in due parti. Per il funzionamento sono sempre necessari un modulo base dell'unità di potenza (WC4-B-11), un'unità di comando (WC4-B-S, WC4-B-D o WC4-B-W) e un sensore della stufa (WC4-B-F1D o WC4-B-F1H).

#### 3.1. Dotazione

- Unità di potenza (1-049-633/WC4-B-11)
- Istruzioni di montaggio e per l'uso

#### 3.2. Non compreso nella fornitura

- Interruttore principale (interruttore standard 230V)
- Interruttore della luce (interruttore standard 230V)
- Unità di comando legno scuro (1-008-128/WC4-B-D) o unità di comando nero (1-010-389/WC4-B-S) o unità di comando bianco (1-010-437/WC4-B-W)
- Sensore della stufa legno chiaro (1-013-651/WC4-B-F1H), cavi dei sensori 5 m oppure sensore della stufa legno scuro (1-003-479/WC4-B-F1D), cavi dei sensori 5 m

#### 3.3. Accessori opzionali

- Scheda di ampliamento per umidità, sensore della panca (1-003-472/WC4-H-PCB)
- Sensore della panca WC4 legno scuro (1-003-295/WC4-H-F2D), cavi dei sensori 5 m
- Sensore della panca WC4 legno chiaro (1-013-662/WC4-H-F2H), cavi dei sensori 5 m
- Sensore di umidità legno scuro (1-003-364/WC4-H-HD), cavi dei sensori 5 m
- Sensore di umidità legno chiaro (1-013-669/WC4-H-HH), cavi dei sensori 5 m
- Sensore di umidità e di temperatura (1-010-081/O-FTS2), cavi del sensore 6 m
- Alloggiamento del sensore per FTS2 legno scuro (1-041-521/SC-FTS2-D)
- Alloggiamento del sensore per FTS2 legno chiaro (1-041-520/SC-FTS2-D)
- Adattatore a Y RJ10 a 4 poli (1-028-167/WC4-C-ADY)
- Ampliamento della potenza (1-008-779 / O-S2-18, 1-009-280 / O-S2-30)
- Disinserimento di sicurezza (SFE-xxxxx)
- Sistema di avvio remoto (1-051-003 / FS-SY)
- Sistema del sensore porta (1-052-722 / SAB00102)

### 3.4. Funzioni del prodotto

Il comando della sauna wave.com4 11 kW dispone delle seguenti funzioni:

- Regolazione di stufe per sauna con una potenza termica fino a 11 kW
- Con la scheda di di ampliamento, regolazione di stufe combinate con una potenza termica fino a 11 kW e una potenza dell'evaporatore fino a 3 kW.
- Grazie all'ampliamento della potenza, la potenza di interruzione può essere aumentata di 11 kW.
- Possibilità di collegamento di un interruttore principale esterno
- Possibilità di collegamento di un interruttore della luce esterno
- Accensione e regolazione di una luce della cabina (lampadina fino a 100 W)
- Attivazione di un ventilatore (fino a 100 W)
- Limitazione automatica del tempo di riscaldamento  
Per motivi di sicurezza, il comando della sauna si disattiva automaticamente una volta superato il tempo di riscaldamento massimo (1 - 12 ore)
- Funzione di preselezione oraria (1 - 24 ore)
- Segnale acustico per l'intervallo di tempo (ad es: segnale per gettata di vapore)
- Programma di asciugatura successiva  
Dopo il funzionamento combinato viene avviato automaticamente il programma di asciugatura successiva per impedire la formazione di muffe nella cabina della sauna. (3 opzioni di regolazione).
- Funzione di avvio remoto
- Modalità Eco  
La modalità Eco consente di trovare la stessa temperatura della cabina dopo una pausa (20, 40, 60 minuti).
- Fusibile termico di protezione  
Il fusibile termico di protezione è installato nell'alloggiamento del sensore della stufa. Se dopo che è stata raggiunta la temperatura desiderata, la stufa per sauna continua a riscaldare a causa di un guasto, il fusibile termico di protezione disattiva automaticamente la stufa quando vengono raggiunti i 139 °C.



### 3.5. Modalità di funzionamento della sauna

#### **Funzionamento della sauna**

Durante il funzionamento della sauna è presente aria calda e secca. La temperatura nella cabina è elevata (80-100 °C). Il livello di umidità è basso e corrisponde al massimo al 10%.

#### **Funzionamento combinato (opzionale, con scheda di ampliamento)**

Nel funzionamento combinato oltre alla stufa per sauna è in funzione anche l'evaporatore. La temperatura nella cabina della sauna è inferiore (ca. 40 - 65 °C) rispetto a quella durante il funzionamento della sauna, mentre l'umidità relativa dell'aria è decisamente maggiore, con valori compresi fra il 35% e il 70%. Il valore nominale massimo impostabile per l'umidità dipende comunque dalla temperatura presente nella sauna. Maggiore è la temperatura della sauna, minore sarà il valore massimo impostabile per l'umidità (vedi Fig. 1).

### 3.6. Modalità di funzionamento con sensori

Il comando della sauna wave.com4 11 kW può essere utilizzato con uno, due o tre sensori.

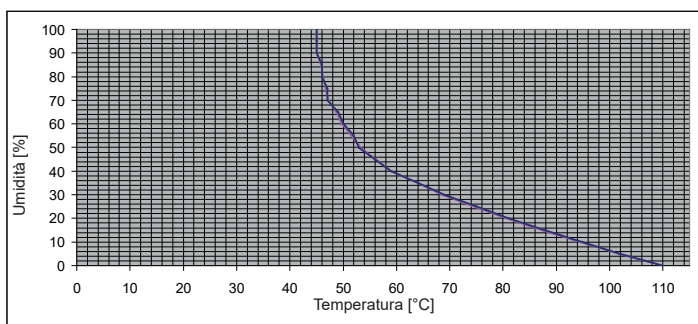
#### **Funzionamento a un sensore (F1)**

Il funzionamento a un sensore è attivato come impostazione predefinita.

Nel funzionamento a un sensore, il comando della sauna viene fatto funzionare solo insieme al sensore della stufa con fusibile termico di protezione.

Il comando della sauna visualizza di serie la temperatura effettiva. La temperatura nominale viene visualizzata durante l'impostazione.

Nel funzionamento a un sensore, il valore massimo impostabile per l'umidità (opzionale, con scheda di ampliamento) dipende dalla temperatura presente sopra la stufa e l'umidità viene regolata a tempo. Nel display del comando della sauna viene visualizzato solamente il valore nominale relativo all'umidità (umidità relativa dell'aria in valore percentuale). Nella modalità con umidità temporizzata, l'umidità effettiva presente nella cabina della sauna è legata alle dimensioni della cabina e alla potenza dell'evaporatore e può differire dal valore nominale impostato.



**Fig. 1: Curva caratteristica umidità mediante temperatura**

***Funzionamento a due sensori con sensore di temperatura dell'umidità (FTS2) (opzionale, con scheda di ampliamento)***

Nel funzionamento a due sensori con sensore di umidità e di temperatura, il comando della sauna visualizza come temperatura effettiva la temperatura misurata dal sensore di umidità e di temperatura.

Nel funzionamento a due sensori, con sensore di umidità e di temperatura, l'evaporatore è regolato in base all'umidità misurata all'interno della cabina. Nel display del comando della sauna viene visualizzato solamente il valore effettivo relativo all'umidità presente nella cabina della sauna (umidità relativa dell'aria in valore percentuale).

***Funzionamento a due sensori con sensore della panca (F2) (opzionale, con scheda di ampliamento)***

Nel funzionamento a due sensori con il sensore della panca, sulla panca posteriore della sauna viene montato un secondo sensore della temperatura (sensore della panca). Il comando della sauna visualizza come temperatura effettiva la temperatura misurata dal sensore della panca.

Nel funzionamento a due sensori con il sensore della panca, l'umidità viene regolata a tempo. Nel display del comando della sauna viene visualizzato solamente il valore nominale relativo all'umidità (umidità relativa dell'aria in valore percentuale). Nella modalità con umidità temporizzata, l'umidità effettiva presente nella cabina della sauna è legata alle dimensioni della cabina e alla potenza dell'evaporatore e può differire dal valore nominale impostato.

***Funzionamento a due sensori con sensore di umidità (WC4-H-H) (opzionale, con scheda di ampliamento)***

Nel funzionamento a due sensori con sensore di umidità, il comando della sauna visualizza come temperatura effettiva la temperatura misurata dal sensore della stufa. L'evaporatore viene regolato in base all'umidità misurata in cabina. Nel display del comando della sauna viene visualizzato solamente il valore effettivo relativo all'umidità presente nella cabina della sauna (umidità relativa dell'aria in valore percentuale).

***Funzionamento a tre sensori con sensore della panca (F2) e sensore di umidità (WC4-H-Hx) (opzionale, con scheda di ampliamento)***

Nel funzionamento a tre sensori con sensore della panca e sensore di umidità, il comando della sauna visualizza come temperatura effettiva la temperatura misurata dal sensore della panca.

Nel funzionamento a tre sensori, l'evaporatore è regolato in base all'umidità misurata all'interno della cabina. Nel display del comando della sauna viene visualizzato solamente il valore effettivo relativo all'umidità presente nella cabina della sauna (umidità relativa dell'aria in valore percentuale).

## 4. Montaggio

Osservare i dati tecnici per il montaggio, vedi Pagina 37:

### ATTENZIONE!

#### **Fonti di interferenza compromettono la trasmissione dei segnali**

- Posare tutti i cavi dei sensori in modo che siano separati da altri cavi di alimentazione e dai cavi di comando.
- Proteggere i cavi con isolamento singolo con un tubo (doppio isolamento).



Tutti i sensori possono essere collegati soltanto con i rispettivi cavi in dotazione, che sono resistenti fino a una temperatura di 150 °C.

- I cavi del sensore della stufa NON devono superare la lunghezza massima di 10 m.
- All'esterno della cabina, i cavi dei sensori possono essere prolungati con cavi non resistenti ad alte temperature.

### 4.1. Montaggio dell'unità di potenza

Osservare la Fig. 2 su Pagina 14.

### ATTENZIONE!

#### **Danni all'apparecchio**

Il comando della sauna è protetto dagli spruzzi d'acqua, tuttavia il contatto diretto con l'acqua può danneggiare l'apparecchio.

- Montare il comando della sauna in un luogo con un'umidità massima dell'aria non superiore al 95% - non in ambiente umido.
- Durante il montaggio nella cabina della sauna, i passacavi non devono essere rivolti verso l'alto!

Per il montaggio dell'unità di potenza 1 eseguire i seguenti passaggi:

1. Rimuovere il coperchio dell'unità di potenza.
2. È possibile fissare l'unità di potenza a terra ai 4 angoli del telaio (vedi frecce Fig. 4 a pagina 17)

### 4.2. Montaggio dell'interruttore principale

Osservare le istruzioni per l'uso dell'interruttore.

### 4.3. Montaggio luce della cabina/interruttore della luce

Osservare le istruzioni per l'uso dell'interruttore.

#### 4.4. Montaggio della scheda di ampliamento (opzionale)

1. Collegare la scheda di ampliamento alla scheda di base fissando i cavi preassemblati (L-N-PE) e il cavo a nastro.
2. Fissare la scheda di ampliamento con le viti in dotazione.

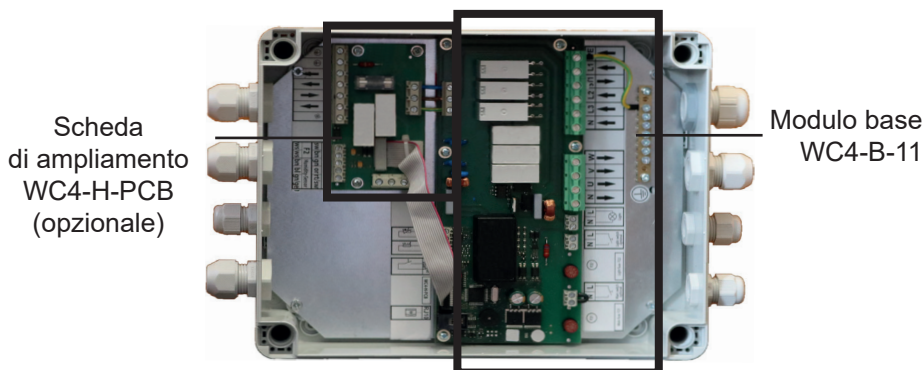


Fig. 2: Wave.com4 unità di potenza 11 kW

#### 4.5. Montaggio dell'unità di comando

L'unità di comando **2** viene montata sulla parete della cabina a una distanza massima di 10 metri dall'unità di potenza **1**. Considerare il percorso dei cavi per il cavo dati.

##### ATTENZIONE!

##### *Danni all'apparecchio*

- L'unità di comando **2** del comando della sauna è protetta dagli spruzzi d'acqua (grado di protezione IPX4).
- Il montaggio deve essere effettuato solo con un cacciavite. L'utilizzo di avvitatori a batteria comporta il pericolo di danneggiamento irreparabile dell'alloggiamento!
- Durante il montaggio all'interno della cabina della sauna, va osservata una distanza minima di 30 cm dal soffitto della cabina.

1. Tagliare ad esempio la rientranza per l'unità di comando con una corona a secco Ø 70 x 35 mm.
2. Collegare la spina a 4 poli alla presa RJ10 dell'unità di comando.
3. Avvitare l'alloggiamento sulla parete della cabina inserendola attraverso i fori con le 4 viti per legno in dotazione.

## 4.6. Montaggio del sensore della stufa F1 con fusibile termico di protezione

Durante il montaggio del sensore della stufa osservare i seguenti punti:

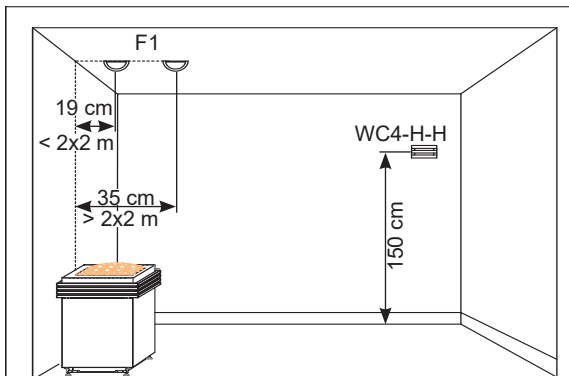
- Montare il sensore della stufa al soffitto della cabina posizionandolo sopra il centro della stufa della sauna. Per le cabine fino a 2 x 2 m è necessario mantenere una distanza di 19 cm dalla parete della cabina, per le cabine più grandi una distanza di 35 cm.
- Installare il sensore della stufa in modo che il suo funzionamento non venga condizionato dall'aria in ingresso.



Accertarsi durante l'inserimento dei cavi del sensore che nessun cavo sia danneggiato!

Per il montaggio del sensore della stufa eseguire i seguenti passaggi (vedi **Fig. 3**):

1. Trapanare il soffitto della cabina con una punta del trapano da 8 mm.
2. Tirare i due cavi del sensore della stufa a 2 poli attraverso il foro.
3. Fissare l'alloggiamento del sensore con le viti per legno in dotazione.
4. Posare i due cavi a 2 poli del sensore della stufa fino all'unità di potenza e fissare i cavi del sensore della stufa con fascette serracavi.
5. Controllare che il sensore della stufa sia ben fissato.



**Fig. 3: Installazione del sensore**

#### **4.7. Montaggio del sensore di umidità e temperatura FTS2 (opzionale)**

Montare il sensore di umidità e temperatura sulla parete della cabina posizionandolo sopra la panca posteriore. Rispettare a riguardo una distanza di ca. 15 cm dal soffitto della cabina. Seguire le istruzioni di montaggio del sensore.



Per il sensore di umidità e di temperatura è disponibile opzionalmente un alloggiamento in legno.

#### **4.8. Montaggio del sensore della panca F2 (opzionale)**

Montare il sensore della panca sulla parete della cabina posizionandolo sopra la panca posteriore. Rispettare a riguardo una distanza di ca. 15 cm dal soffitto della cabina.

Per il montaggio del sensore della panca eseguire i seguenti passaggi:

1. Trapanare la parete della cabina con una punta del trapano da 8 mm.
2. Tirare il cavo del sensore della stufa a 2 poli attraverso il foro.
3. Fissare l'alloggiamento del sensore con le viti per legno in dotazione.
4. Posare il cavo a 2 poli del sensore della panca fino all'unità di potenza e fissare il cavo del sensore della panca con fascette serracavi.
5. Controllare che il sensore della panca sia ben fissato.

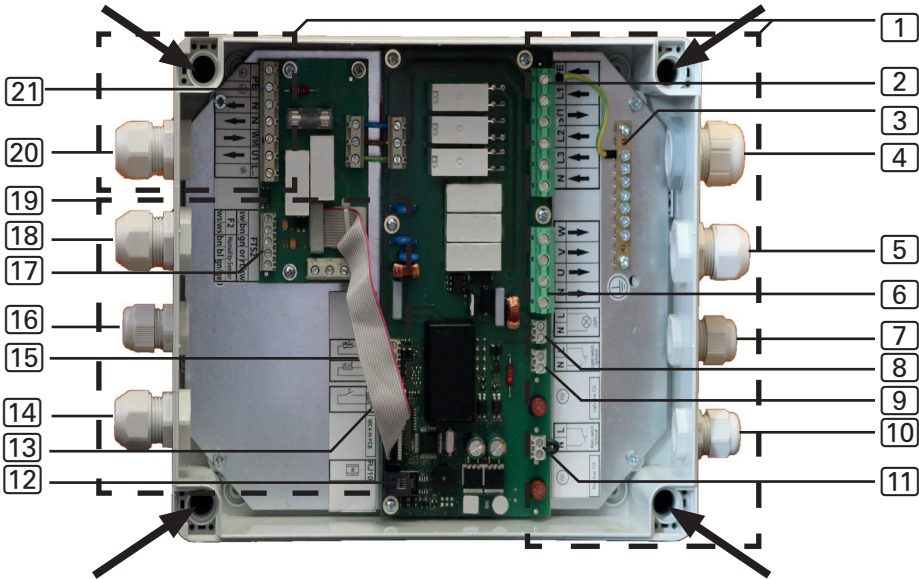
#### **4.9. Montaggio del sensore di umidità WC4-H-H (opzionale)**

Il sensore di umidità deve essere montato al centro sulla parete laterale più lontana dalla stufa, ad un'altezza di circa 150 cm (Fig. 3 a pagina 15).

Per il montaggio del sensore di umidità eseguire i seguenti passaggi:

1. Trapanare la parete della cabina con una punta del trapano da 8 mm.
2. Tirare il cavo del sensore di umidità a 3 poli attraverso il foro.
3. Fissare l'alloggiamento del sensore con le viti per legno in dotazione.
4. Posare il cavo a 3 poli del sensore di umidità fino all'unità di potenza e fissare il cavo del sensore di umidità con fascette serracavi.
5. Controllare che il sensore di umidità sia ben fissato.

## 5. Collegamento elettrico



**Fig. 4: Collegamento elettrico**

- |   |  |
|---|--|
| <b>1</b> Aree di collegamento per 230 V/400 V                             | <b>12</b> Presa RJ10 per cavo dati unità di comando                  |
| <b>2</b> Morsettiera per cavo di alimentazione                            | <b>13</b> Morsettiera per avvio remoto                               |
| <b>3</b> Barra di messa a terra   | <b>14</b> Passacavo per cavo dati RJ10, sensore F1/F2 e avvio remoto |
| <b>4</b> Passacavo per il cavo di alimentazione                           | <b>15</b> Morsettiera per sensore F1                                 |
| <b>5</b> Passacavo per il cavo della stufa                                | <b>16</b> Passacavo per sensori WC4-H-H/FTS2                         |
| <b>6</b> Morsettiera per cavo della stufa                                 | <b>17</b> Morsettiera per sensori F2/WC4-H-H/FTS2                    |
| <b>7</b> Passacavo per luce e ampliamento della potenza                   | <b>18</b> Passacavo per ventilatore                                  |
| <b>8</b> Morsettiera per luce   | <b>19</b> Area di collegamento per bassa tensione                    |
| <b>9</b> Morsettiera per interruttore della luce                          | <b>20</b> Passacavo per cavo dell'evaporatore                        |
| <b>10</b> Passacavo per interruttore della luce e interruttore principale | <b>21</b> Morsettiera per cavo dell'evaporatore e ventilatore        |
| <b>11</b> Morsettiera per interruttore principale                         |  |



Osservare “**5. Collegamento elettrico**” a pagina 17 e “**7.1. Modulo base dello schema di collegamento**” a pagina 23 e “**7.2. Schema di collegamento scheda di ampliamento (opzionale)**” a pagina 24.

### 5.1. Collegamento del cavo di alimentazione e della stufa

1. Far passare il cavo di alimentazione e il cavo della stufa attraverso i passacavi **4** e **5** e inserirli nella zona di collegamento per la tensione a 230 V/400 V **1**.
2. Collegare i cavi di collegamento alle rispettive morsettiere **2**, **6**.  
Osservare in tal caso le istruzioni per l'uso dei rispettivi apparecchi.

### 5.2. Collegamento dell'evaporatore (opzionale)

1. Far passare il cavo dell'evaporatore (opzionalmente con scheda di ampliamento) attraverso il passacavo **20** nell'area di collegamento per 230 V/400 V **1**.
2. Collegare i cavi di collegamento alle rispettive morsettiere **21**.  
Osservare le istruzioni per l'uso dell'evaporatore.



Se l'evaporatore non dispone di un indicatore automatico di mancanza d'acqua, utilizzare un ponticello per collegare il morsetto “**U1**” al morsetto “**WM**” oppure modificare l'impostazione del segnale acustico (vedi Pagina 32)

### 5.3. Collegamento dell'unità di comando

1. Far passare il cavo di collegamento dell'unità di comando attraverso il passacavo **14** e inserirlo nella zona di collegamento per la bassa tensione **19**.
2. Inserire la spina del cavo RJ-10 nella presa di collegamento **12**.



Le unità di comando della sauna wave.com4 11 kW consentono il funzionamento di un massimo di 4 unità di comando su una unità di potenza. Utilizzare l'adattatore a Y (vedi “3.3. Accessori opzionali” a pagina 9) per collegare le unità di comando opzionali.



## 5.4. Collegamento dell'interruttore principale esterno

L'interruttore principale non è in dotazione.

1. Far passare il cavo di collegamento dell'interruttore principale attraverso il passacavo **[10]** e inserirlo nell'area di collegamento per la tensione a 230 V/400 V **[1]**.
2. Collegare il cavo alla morsettiera **[11]**. Osservare le istruzioni per l'uso dell'interruttore.



I contatti sono collegati a ponte al momento della consegna.  
Rimuovere il ponticello per il montaggio

## 5.5. Collegamento del cavo della luce

1. Far passare il cavo della luce attraverso il passacavo **[7]** e inserirlo nell'area di collegamento per la tensione a 230 V/400 V **[1]**.
2. Collegare il cavo della luce alla morsettiera **[8]**. Osservare le istruzioni per l'uso dell'interruttore.

## 5.6. Collegamento dell'interruttore della luce esterna

L'interruttore della luce non è in dotazione.

3. Far passare il cavo di collegamento dell'interruttore della luce attraverso il passacavo **[10]** e inserirlo nell'area di collegamento per la tensione a 230 V/400 V **[1]**.
4. Collegare il cavo alla morsettiera **[9]**. Osservare le istruzioni per l'uso dell'interruttore.

**IT**

## 5.7. Collegamento del ventilatore (opzionale)

1. Far passare il cavo del ventilatore attraverso il passacavo **[18]** e inserirlo nell'area di collegamento per la tensione a 230 V/400 V **[1]**.
2. Collegare il cavo del ventilatore alla morsettiera **[21]**. Osservare le istruzioni per l'uso del ventilatore.

## 5.8. Collegamento del sensore della stufa F1

1. Far passare i cavi del sensore della stufa attraverso il passacavo **[14]** nell'area di collegamento per la bassa tensione **[19]**.
2. Collegare i cavi rossi del sensore della stufa (STB) ai morsetti con la dicitura "**R-R**" nella morsettiera **[15]**.
3. Collegare i cavi bianchi del sensore della stufa (F1) ai morsetti con la dicitura "**W-W**" nella morsettiera **[15]**.



Il funzionamento con umidità a tempo nel funzionamento a un sensore richiede il montaggio del sensore fittizio (vedi 5.12 a pagina 21).

## 5.9. Collegamento del sensore di umidità e temperatura FTS2 (opzionale)

1. Far passare i cavi del sensore attraverso il passacavo **[16]** e inserirli nella zona di collegamento per bassa tensione **[19]**.
2. Collegare i cavi del sensore della temperatura ai morsetti con la dicitura "**FTS2: sw-br**" nella morsettiera **[17]**.
  - a. Collegare il cavo nero al morsetto "**sw**".
  - b. Collegare il cavo marrone al morsetto "**br**".
3. Collegare i cavi del sensore di umidità ai morsetti con la dicitura "**FTS2: gn-or-rt**" nella morsettiera **[17]**.
  - c. Collegare il cavo verde al morsetto "**gn**".
  - d. Collegare il cavo arancione al morsetto "**or**".
  - e. Collegare il cavo rosso al morsetto "**rt**".

## 5.10. Collegamento del sensore della panca F2 (opzionale)

1. Far passare i cavi del sensore della panca attraverso il passacavo **[14]** e inserirli nell'area di collegamento per la bassa tensione **[19]**.
2. Collegare i cavi del sensore della panca ai morsetti con la dicitura "**F2: ws-ws**" nella morsettiera **[17]**.



Il funzionamento con umidità a tempo nel funzionamento a due sensori (F1 e F2) richiede il montaggio del sensore fittizio (vedi 5.12 a pagina 21).

### 5.11. Collegamento del sensore di umidità WC4-H-H (opzionale)

1. Far passare i cavi del sensore attraverso il passacavo [16] e inserirli nella zona di collegamento per bassa tensione [19].
2. Collegare i cavi del sensore di umidità ai morsetti con la dicitura "**WC4-H-H: br-bl-gn/ge**" nella morsettiera [17].
  - a. Collegare il cavo marrone al morsetto "**br**".
  - b. Collegare il cavo blu al morsetto "**bl**".
  - c. Collegare il cavo giallo/verde al morsetto "**gn/ge**".
3. Rimuovere il ponticello FTS2 (vedi "7.1. Modulo base dello schema di collegamento" a pagina 23)



Il funzionamento con umidità con il sensore di umidità WC4-H-H può avvenire anche senza il sensore della panca F2.

### 5.12. Collegamento del sensore fittizio (opzionale)

1. Collegare i sensori fittizi in dotazione ai morsetti con la dicitura "**WC4-H-H: br-bl**" nella morsettiera [17].

### 5.13. Collegamento dell'ampliamento della potenza (opzionale)

1. Far passare il cavo dell'ampliamento della potenza attraverso il passacavo [7] e inserirlo nell'area di collegamento per la tensione a 230 V/400 V [1].
2. Collegare il cavo dell'ampliamento della potenza alla morsettiera [2] e [3]. Utilizzare in tal caso il morsetto "**ST1**" per il circuito di sicurezza (ST1) e il morsetto "**V**" per il circuito di comando (ST2). Osservare le istruzioni per l'uso del rispettivo apparecchio.



Alla consegna, nel morsetto ST1 è fissata una vite di plastica ST1 - questa deve essere event. rimossa.

IT

### 5.14. Collegamento dell'avvio remoto

Il collegamento avviene tramite i morsetti "**Remote start**" nell'area di collegamento per bassa tensione [19].

I +12V DC in uscita devono essere ricondotti al morsetto tramite un interruttore (contatto permanente). È possibile attivare l'ultima modalità operativa utilizzata.

## 5.15. Conclusione dell'installazione

1. Collegare i conduttori di terra del cavo di alimentazione e di tutti i dispositivi alla barra di messa a terra **3**.
2. Chiudere l'unità di potenza.

## 6. Esecuzione delle prove

Le seguenti prove devono essere eseguite da un elettricista autorizzato.



### **AVVERTENZA!**

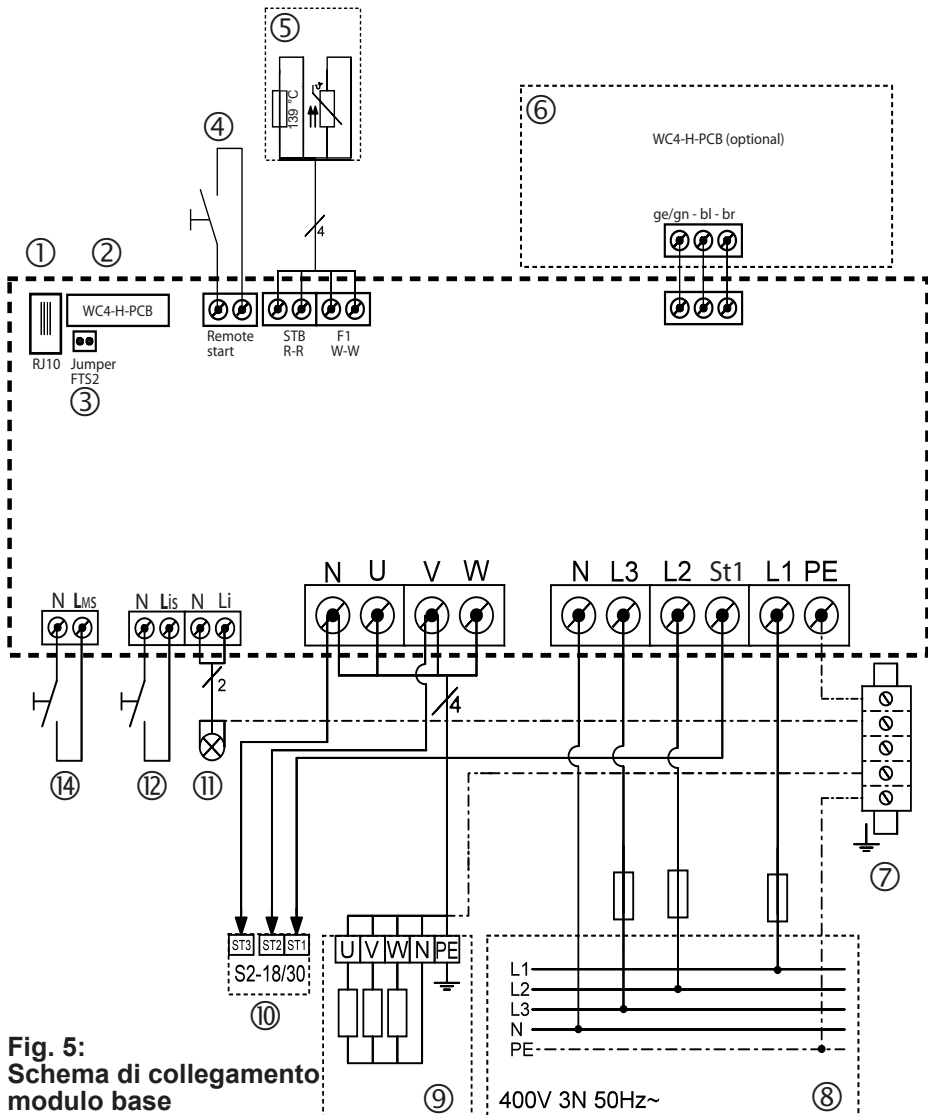
***Le seguenti prove vengono eseguite con l'alimentazione elettrica inserita. Sussiste pericolo di scossa elettrica!***

- NON toccare MAI le parti sotto tensione.

1. Controllare il contatto dei cavi di messa a terra sul morsetto di terra.
2. Controllare il fusibile termico di protezione del sensore della stufa F1.
  - a. Accendere il comando della sauna.
  - b. Aprire il sensore della stufa e scollegare uno dei due cavi rossi del sensore.
    - ▶ Il display visualizza “-30” e tutti i simboli lampeggiano
    - ▶ Il comando spegne la stufa.
  - c. Spegnerne il comando della sauna con l'interruttore principale.
  - d. Ricollegare il cavo rosso del sensore della stufa.
  - e. Scollegare ora uno dei cavi bianchi del sensore della stufa.
  - f. Accendere il comando della sauna.
    - ▶ Il display visualizza “-21” e tutti i simboli lampeggiano
    - ▶ Il comando spegne la stufa.
  - g. Spegnerne il comando della sauna con l'interruttore principale.
  - h. Ricollegare il cavo bianco del sensore della stufa.
3. Controllare l'interconnessione delle fasi L1, L2, L3 su U, V, W.
4. Controllare la potenza termica massima ammessa pari a 3,7 kW per ogni fase.
5. Opzionale, con scheda di ampliamento: controllare l'interconnessione delle fasi L1, L2, L3 su U1, V, W per il funzionamento dell'evaporatore.
6. In presenza di un ampliamento della potenza opzionale: Controllare i cavi di comando ST1, ST2 e ST3.

## 7. Schema di collegamento

### 7.1. Modulo base dello schema di collegamento



**Fig. 5:**  
**Schema di collegamento:**  
**modulo base**

Stufa [kW]	Cavo di alimentazione Cavo di alimentazione stufa (termostabile fino a 150 °C)	Fusibile [A]
0 - 6,9	5 x 1,5 mm <sup>2</sup>	3 x 10
< 6,9 - 11	5 x 2,5 mm <sup>2</sup>	3 x 16

- |   |  |
|---|--|
| ① Collegamento unità di comando RJ10                          | ⑨ Sistema di riscaldamento (max 11 kW) |
| ② Scheda di ampliamento                                       | ⑩ Ampliamento della potenza            |
| ③ Ponticello per FTS2   | ⑪ Luce                                 |
| ④ Avvio remoto  | ⑫ Interruttore della luce              |
| ⑤ Sensore della stufa con fusibile termico di protezione (F1) | ⑬ Interruttore principale              |
| ⑥ Scheda di ampliamento                                       | ⑭ Evaporatore (max 3 kW)               |
| ⑦ Barra di messa a terra                                      | ⑮ Ventilatore                          |
| ⑧ Alimentazione di corrente del comando della sauna           | ⑯ Sensore della panca (F2/FTS2)        |
|   | ⑰ Sensore di umidità (WC4-H-H-H/FTS2)  |

## 7.2. Schema di collegamento scheda di ampliamento (opzionale)

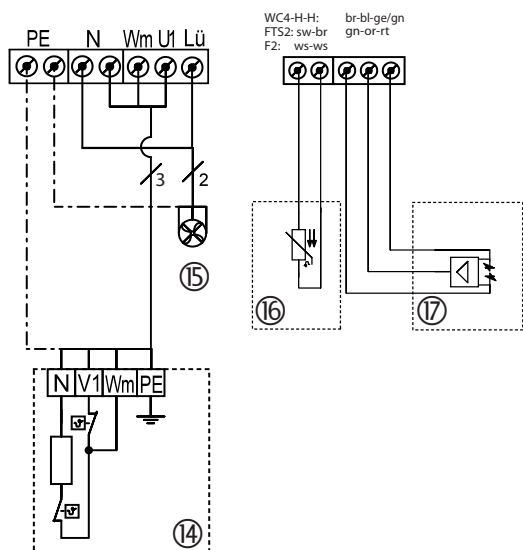
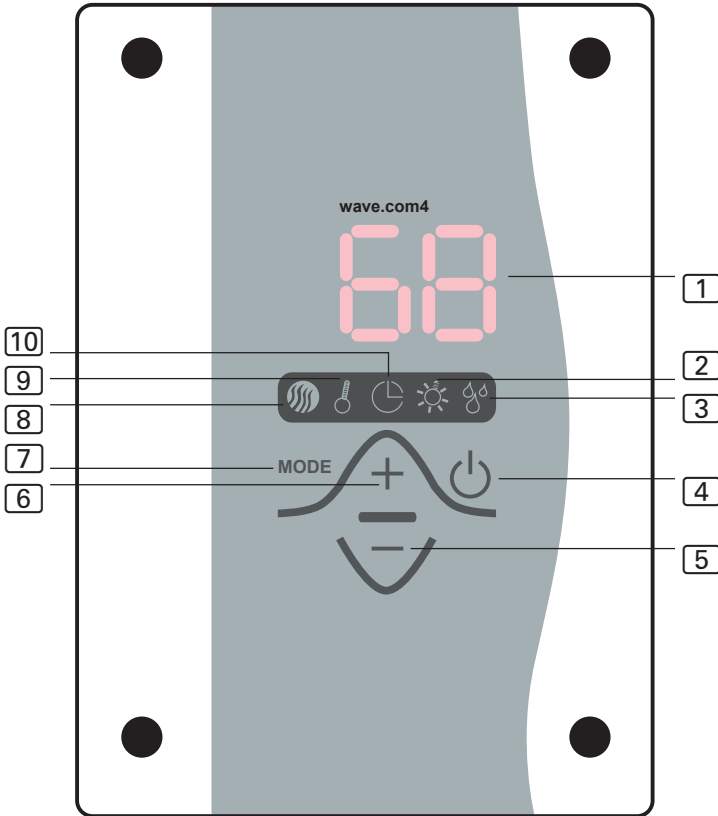


Fig. 6: Schema di collegamento scheda di ampliamento

## 8. Elemento di comando e di visualizzazione



1	Display (visualizzazione a 3 cifre a sette segmenti)	6	Plus
2	Spia di controllo: <i>Luce</i>	7	Modalità (impostazioni)
3	Spia di controllo: <i>Umidità</i>	8	Spia di controllo: <i>Standby</i>
4	On/Off	9	Spia di controllo: <i>Temperatura</i>
5	Minus	10	Spia di controllo: <i>Timer</i>

## 9. Utilizzo

Osservare "8. Elemento di comando e di visualizzazione" a pagina 25.

### 9.1. Accensione

Accendere il comando attivando l'interruttore principale esterno (opzionale).

- ▶ La spia di controllo Standby [8] è costantemente accesa.

### 9.2. Impostazione del tempo di riscaldamento

Il tempo di riscaldamento può essere impostato in ore (1 - 12).

Il comando deve trovarsi in standby per questa programmazione.

Premere contemporaneamente i tasti On/Off [4] e Minus [5] per 3 secondi.

- ▶ La visualizzazione [1] indica l'ultimo tempo impostato lampeggiante

Selezionare con i tasti Minus [5]/Plus [6] il tempo di riscaldamento desiderato (OFF, 1 - 12).

Confermare la selezione con il tasto On/Off [4], si passa direttamente all'impostazione della lingua (vedi Pagina 26). Per confermare, premere il tasto On/Off [4].

- ▶ La spia di controllo Standby [8] è accesa.

### 9.3. Impostazione della lingua

Sono selezionabili le seguenti lingue:

tedesco, inglese, francese, italiano, olandese

Il comando deve trovarsi in standby per questa programmazione.

Premere contemporaneamente i tasti On/Off [4] e Minus [5] per 3 secondi.

Si accede in questo modo al menu del tempo di riscaldamento. Passare al menu Lingua con il tasto Mode [7]. Effettuare qui la selezione con i tasti Minus [5] / Plus [6].

Confermare la selezione con il tasto Mode [7].



## 9.4. Accensione della luce (luce pulizia)

La luce (luce pulizia) nella cabina della sauna può essere accesa e spenta tramite un interruttore della luce esterno indipendente dalla modalità di funzionamento.

La luce (luce pulizia) nella cabina della sauna può essere accesa e spenta sull'unità di comando premendo il tasto On/Off [4]. (Il comando deve essere in modalità Standby). La luce si accende automaticamente dopo 5 minuti.

- ▶ La spia di controllo Standby [8] lampeggia = modalità standby

La luce nella cabina della sauna può essere regolata. Il comando deve essere in modalità *FIN* o *FEU* (vedi "9.12. Regolazione della luce" a pagina 29).

## 9.5. Selezione della modalità operativa

Sono selezionabili le seguenti modalità operative:

- Modalità sauna "*FIN*" (= standard)
- Modalità combinata "*FEU*"
- Luce pulizia "*OFF*"

Premere il tasto On/Off [4] e selezionare la modalità di funzionamento desiderata con i tasti Minus [5]/Plus [6].

## 9.6. Avvio del funzionamento della sauna in modalità *FIN*

Selezionare la modalità operativa *FIN*. Premere quindi brevemente il tasto On/Off [4].

- ▶ Il comando si avvia con le ultime impostazioni di questa modalità operativa.
- ▶ Le spie di controllo Standby [8] e Temperatura [9] sono accese.

Selezionare con i tasti Minus [5]/Plus [6] la temperatura desiderata (< 110 °C)

- ▶ La visualizzazione [1] mostra per alcuni secondi la temperatura desiderata (valore nominale), poi viene visualizzata la temperatura misurata (valore effettivo).

## 9.7. Disattivazione del funzionamento della sauna in modalità *FIN*

Premere brevemente il tasto On/Off [4].

- ▶ La stufa della sauna viene spenta.
- ▶ La spia di controllo Standby [8] lampeggia. La modalità operativa è **OFF**
- ▶ La luce (luce pulizia) è accesa.

Per spegnere il comando, premere brevemente il tasto On/Off [4]

- ▶ La spia di controllo Standby [8] lampeggia = modalità standby

## 9.8. Avvio del funzionamento in modalità combinata *FEU*

Selezionare la modalità operativa **FEU**. Premere brevemente il tasto On/Off [4].

- ▶ Il comando si avvia con le ultime impostazioni di questa modalità operativa.
- ▶ Le spie di controllo Standby [8] e Temperatura [9] sono accese.

Selezionare con i tasti Minus [5]/Plus [6] la temperatura desiderata.

- ▶ La visualizzazione [1] mostra per alcuni secondi la temperatura desiderata (valore nominale), poi viene visualizzata la temperatura misurata (valore effettivo).

Premere il tasto Mode [7] fino a quando si accende la spia di controllo Umidità [3].

Selezionare con i tasti Minus [5]/Plus [6] l'umidità desiderata (< 70 °C, vedi "Fig. 1: Curva caratteristica umidità mediante temperatura" a pagina 11)

- ▶ La visualizzazione [1] mostra l'umidità desiderata (valore nominale). In caso di sensore di umidità (opzionale) installato, l'umidità misurata (valore effettivo) viene visualizzata dopo pochi secondi.

## 9.9. Disattivazione del funzionamento in modalità combinata *FEU*


Premere brevemente il tasto On/Off [4].



- ▶ La stufa per sauna e l'evaporatore vengono spenti.
- ▶ La spia di controllo Standby [8] lampeggia. La modalità operativa è **OFF**
- ▶ La luce (luce pulizia) è accesa.

Per spegnere il comando, premere brevemente il tasto On/Off [4]

- ▶ La spia di controllo Standby [8] lampeggia = modalità standby

## 9.10. Interruzione del programma di asciugatura successiva

Dopo il funzionamento combinato viene avviato automaticamente il programma di asciugatura successiva. Nell'indicazione  viene visualizzato il testo "dry" e la spia di controllo Umidità lampeggia. Possibili impostazioni per il programma di asciugatura successiva, vedi "Impostazione del programma di asciugatura successiva" a pagina 33





- ▶ Premere contemporaneamente i tasti On/Off  e Minus  per ca. 3 secondi



Per impedire la formazione di muffe, si consiglia di NON interrompere il programma di asciugatura successiva.

## 9.11. Impostazione del timer



Il timer può essere impostato in minuti (0 - 99). Viene emesso un segnale acustico (il cicalino è nell'unità di potenza) alla scadenza del tempo.





Premere il tasto Mode  fino a quando si accende la spia di controllo Timer . Selezionare l'intervallo desiderato con i tasti Minus /Plus .

- ▶ La visualizzazione  indica il tempo restante.

## 9.12. Regolazione della luce

La luce nella cabina della sauna può essere regolata. Il comando deve essere in modalità *FIN* o *FEU*.

Premere il tasto Mode  fino a quando si accende la spia di controllo Luce .

- ▶ Selezionare l'intensità desiderata per la luce della cabina premendo per diversi secondi (longpress) i tasti Minus  o Plus .
- ▶ Premendo brevemente il tasto Plus , la luce della cabina si attiva al massimo (100).
- ▶ Premendo brevemente il tasto Minus , la luce della cabina si spegne (0).



Se l'interruttore della luce esterno è attivato, la luce della cabina è sempre accesa con la massima intensità. Se si desidera regolare la luce tramite l'unità di comando, l'interruttore della luce esterna deve essere in posizione OFF.

### 9.13. Impostazione della preselezione oraria

L'orario di preselezione può essere impostato in ore (1 - 24).

Il comando deve essere in modalità Standby.

Premere contemporaneamente i tasti On/Off [4] e Plus [6] per 3 secondi.

- ▶ La visualizzazione [1] indica l'ultimo tempo impostato lampeggiante

Selezionare con i tasti Minus [5]/Plus [6] l'orario di preselezione desiderato (OFF, 1 - 24).

Passare alla modalità operativa desiderata *FIN* o *FEU* con il tasto Mode [7] e confermare con il tasto On/Off [4].

- ▶ La visualizzazione [1] indica l'orario di preselezione selezionato
- ▶ Le spie di controllo Standby [8] e Timer [10] sono accese

Allo scadere del tempo, viene avviata la modalità operativa selezionata.



In caso di mancanza di corrente o di accensione manuale, l'orario di preselezione viene disattivato

### 9.14. Modalità ECO

La modalità ECO consente di trovare la stessa temperatura della cabina dopo una pausa. Sono selezionabili le seguenti modalità:

- ECO20 per una pausa di 20 minuti
- ECO40 per una pausa di 40 minuti
- ECO60 per una pausa di 60 minuti

Il comando deve essere in modalità *FEU*.

Premere il tasto Mode [7] fino a quando si accende la spia di controllo Temperatura [9].

- ▶ La visualizzazione [1] indica la temperatura selezionata
- ▶ Le spie di controllo Standby [8] e Temperatura [9] sono accese

Premere contemporaneamente i tasti Plus [6] e Minus [5] per 3 secondi.

Selezionare la modalità ECO desiderata con i tasti Minus [5]/Plus [6] (OFF, E20, E40, E60).

Confermare la selezione con il tasto Mode [7]. La pausa viene ora avviata.

## 9.15. Attivazione Stand-by per telecontrollo

Secondo la norma EN 60335-2-53, i comandi della sauna con funzione di avvio remoto devono essere impostati manualmente sulla modalità di funzionamento "Stand-by per telecontrollo". Questa attivazione deve essere fatta dopo ogni operazione di avvio remoto e arresto remoto. Procedere nel seguente modo:

Assicurarsi che il comando della sauna si trovi in modalità di stand-by.

Premere contemporaneamente per ca. 3 secondi il tasto On/Off **[4]** e il tasto Mode **[7]**.

- ▶ Nel display **[1]** lampeggia "rc" (telecomando).
- ▶ Il comando della sauna è ora pronto per essere avviato e arrestato tramite un segnale di avvio remoto.
- ▶ Una volta avvenuto l'avvio o l'arresto remoto, scompaiono dall'indicazione la dicitura "rc" e il simbolo di avvio remoto; inoltre deve essere effettuata nuovamente l'attivazione della modalità di funzionamento.



Per annullare la funzione "Stand-by per telecomando", premere per ca. 3 secondi il tasto On/Off **[4]**.

## 9.16. Abilitazione dell'avvio remoto

Con l'abilitazione dell'avvio remoto si seleziona il funzionamento dell'uscita di avvio remoto (osservare la norma EN 60335-2-53). Collegamento: vedere "5.14. Collegamento dell'avvio remoto" a pagina 21.

- Come impostazione predefinita, l'abilitazione dell'avvio remoto è impostata su OFF. L'avvio remoto viene attivato tramite "Stand-by per comando remoto".
- Se si desidera abilitare l'uscita di avvio remoto per dispositivi diversi (come ad es. gettoniera, sistema di avvio remoto, monitoraggio porta), procedere come segue:

Il comando deve trovarsi in stand-by per questa programmazione.

Premere contemporaneamente i tasti On/Off **[4]** e Meno **[5]** per 3 secondi.

Si accede in questo modo al menu del tempo di riscaldamento.

Passare al menu Lingua con il tasto Mode **[7]**.


Passare all'abilitazione dell'avvio remoto con il tasto Mode **[7]**.

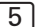

Selezionare qui mediante i tasti Meno **[5]** /Più **[6]**.

Confermare la selezione con il tasto Mode **[7]**.



## 9.17. Attivazione dell'unità di comando supplementare

È possibile collegare fino a quattro unità di comando (vedi "5.3. Collegamento dell'unità di comando" a pagina 18).

Accendere il comando (la spia di controllo Standby  è accesa).

Scollegare il cavo dati dell'unità di comando supplementare. Tenere premuti i tasti Minus  e Plus  sull'unità di comando scollegata e ricollegare nel frattempo il cavo dati.

► Nella visualizzazione  lampeggia l'ultimo indirizzo bus impostato

Selezionare con i tasti Minus /Plus  l'indirizzo bus desiderato (0 - 3).

Confermare la selezione con il tasto Mode .

Tenere presente che dopo questa modifica il comando deve essere disattivato per 10 s per salvare le impostazioni.


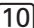


Se si utilizzano diverse unità di comando, è necessario assegnare un indirizzo bus a ciascuna unità di comando. L'indirizzo 0 è il valore standard. Ogni indirizzo (0 - 3) può essere utilizzato una sola volta.




## 9.18. Impostazione del segnale acustico

Il segnale acustico può essere impostato per le seguenti funzioni:

Il comando deve essere in modalità *FIN* o *FEU*.

Premere il tasto Mode  fino a quando si accende la spia di controllo Timer .

► Nella visualizzazione  lampeggia il valore della funzione impostata

Selezionare il valore desiderato con i tasti Minus /Plus . Confermare la selezione con il tasto Mode .

Valore	Funzione	Descrizione della funzione
0	Silenzioso	nessun segnale acustico
1	Timer	Allo scadere del tempo il timer resta attivo per 1 secondo
2	Mancanza d'acqua	Segnale acustico continuo in caso di mancanza di acqua
3	Timer + mancanza di acqua	entrambe le funzioni attive (= standard)

## 9.19. Attivazione del cambio di visualizzazione

Lo scorrimento delle visualizzazioni fa sì che la temperatura e l'umidità (opzionale) vengano indicate alternativamente nella visualizzazione [1] (intervallo di 10 s)

Il comando deve essere in modalità *FIN* o *FEU*.

Premere il tasto Mode [7] fino a quando si accende la spia di controllo Luce [2].

Premere contemporaneamente i tasti Minus [5] e Plus [6] per 3 secondi.

- ▶ Nella visualizzazione [1] lampeggia OFF (= standard)

Passare a ON con il tasto Plus [6]. Confermare la selezione con il tasto Mode [7].

- ▶ La spia di controllo Standby [8] è accesa.

## 9.20. Impostazione del programma di asciugatura successiva

La durata e la temperatura del programma di asciugatura successiva possono essere impostate.

Il comando deve essere in modalità *FEU*.

Premere il tasto Mode [7] fino a quando si accende la spia di controllo Umidità [3].

Premere contemporaneamente i tasti Plus [6] e Minus [5] per 3 secondi.

- ▶ Nella visualizzazione [1] lampeggia 0 (= standard)

Il valore di temperatura visualizzato può essere eventualmente corretto con i tasti Plus/Minus (da -9 a +9).

Premere il tasto Mode [7]

- ▶ Le spie di controllo Standby [8], Timer [10] e Umidità [3] sono accese
- ▶ Nella visualizzazione [1] lampeggia il tempo di asciugatura successiva impostato per riscaldamento e ventilatore (0 - 120 min; 15 min = standard)

Selezionare il valore desiderato con i tasti Minus [5]/Plus [6].

Premere il tasto Mode [7]

- ▶ Le spie di controllo Standby [8] e Timer [10] sono accese
- ▶ Nella visualizzazione [1] lampeggia il tempo per l'asciugatura successiva impostato senza riscaldamento, ma con ventilatore (0 - 30 min; 15 min = standard)

Selezionare il valore desiderato con i tasti Minus [5]/Plus [6].

Premere il tasto Mode [7]

- ▶ Le spie di controllo Standby [8] e Temperatura [9] sono accese
- ▶ Nella visualizzazione [1] lampeggia la temperatura impostata per l'asciugatura successiva (70 - 90 °C; 80 °C = standard)

Selezionare il valore desiderato con i tasti Minus [5]/Plus [6].

Confermare la selezione con il tasto ON/OFF [4].

## 9.21. Spegnimento del comando della sauna

Se il comando della sauna non viene utilizzato per un lungo periodo di tempo, disattivare il comando della sauna con l'interruttore principale [11].

# 10. Pulizia e manutenzione

## 10.1. Pulizia

### ATTENZIONE!

#### *Danni all'apparecchio*

Il comando della sauna è protetto dagli spruzzi d'acqua, tuttavia il contatto diretto con l'acqua può danneggiare l'apparecchio.

- NON immergere MAI l'apparecchio in acqua.
- NON versare MAI acqua sull'apparecchio.
- NON pulire MAI l'apparecchio con un panno troppo inumidito.

1. Immergere un panno per la pulizia in una soluzione di acqua tiepida saponata.
2. Strizzare bene il panno.
3. Pulire l'alloggiamento del comando della sauna con cautela.

## 10.2. Manutenzione

Il comando della sauna è esente da manutenzione.

# 11. Smaltimento



- Smaltire i materiali dell'imballaggio conformemente alle normative sullo smaltimento vigenti.
- I vecchi dispositivi contengono materiali riciclabili ma anche sostanze dannose. Non gettare mai un dispositivo usato insieme ai rifiuti non riciclabili, bensì smaltirlo in conformità alle norme vigenti a livello locale.



## 12. Risoluzione dei problemi

### 12.1. Messaggi di errore

Il comando della sauna è equipaggiato con un software di diagnosi che controlla gli stati del sistema durante l'accensione e il funzionamento. Non appena il software di diagnosi rileva un guasto, il comando della sauna spegne la stufa.

I simboli lampeggiano e nella visualizzazione **1** viene indicato un numero di errore. Disattivare il comando della sauna con l'interruttore principale ed eliminare l'errore prima di riattivare il comando della sauna.

La seguente tabella descrive i possibili guasti e la rispettiva causa. In caso di necessità, comunicare il codice di errore all'Assistenza Clienti.

N. errore	Descrizione	Rimedio/causa
-5	Nessuna unità di comando collegata.	Nessuna unità di comando collegata o contatto difettoso.
-10	Non è più collegata nessuna unità di comando dopo che almeno una è stata rilevata durante la messa in funzione.	Controllare il contatto con l'unità di comando.
-21	Sensore di temperatura della stufa rotto.	Sensore di temperatura difettoso o contatto difettoso.
-22	Cortocircuito del sensore di temperatura della stufa.	Sensore di temperatura difettoso o cortocircuito.
-24	Sensore di temperatura della panca rotto.	Sensore di temperatura difettoso o contatto difettoso.
-25	Cortocircuito del sensore di temperatura della panca.	Sensore di temperatura difettoso o cortocircuito.
-26	Sensore di umidità rotto.	Sensore di umidità difettoso o collegato male/in modo errato.
-27	Cortocircuito del sensore di umidità.	Sensore di umidità difettoso, collegato male/in modo errato o cortocircuito.
-30	Fusibile termico difettoso.	Sensore della stufa difettoso, contatto difettoso o fusibile termico non collegato.

## 12.2. Fusibili

I fusibili per l'impianto elettronico e la luce si trovano nell'area di collegamento del modulo base. Questi possono essere ordinati con il numero articolo 1-30-174 (10 pz.).

Sulla scheda di ampliamento è presente un fusibile per il ventilatore.

## 12.3. Correzione della temperatura

È possibile correggere il valore di temperatura visualizzato. È possibile farlo nel range  $-9\text{ °C}/+9\text{ °C}$ .

Il comando deve essere in modalità *FIN*.

Premere il tasto Mode [7] fino a quando si accende la spia di controllo Temperatura [9].

Premere contemporaneamente i tasti Plus [6] e Minus [5] per 3 secondi.

▶ Nella visualizzazione [1] lampeggia OFF

Premere contemporaneamente i tasti ON/OFF [4] e Mode [7] per 3 secondi.

▶ Nella visualizzazione [1] lampeggia 0 (= standard)

Il valore di temperatura visualizzato può ora essere corretto con i tasti Plus [6] e Minus [5] ( $\Delta t$ : da  $-9$  a  $+9\text{ °C}$ ).

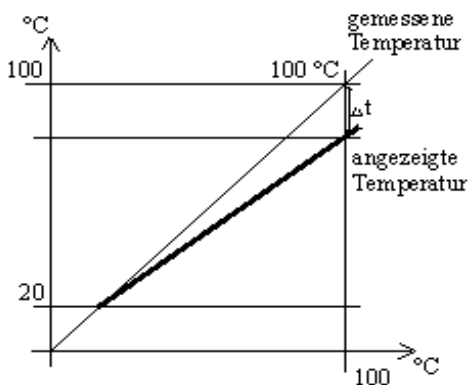


Fig. 7: Correzione della temperatura

## 13. Specifiche tecniche

### Condizioni ambientali

Temperatura di stoccaggio:	da -25 °C a +70 °C
Umidità dell'aria:	max 95% non condensante

### Unità di potenza

Dimensioni (larg. x alt. x prof.):	320 x 220 x 110 mm
Temperatura ambiente:	da 0 °C a +50 °C
Tensione di commutazione / trifase 3N:	400 V AC
Frequenza:	50 Hz
Potere di rottura / riscaldatore:	3 x 3,7 kW
Corrente di commutazione per fase / riscaldatore:	16 A
Potenza di rottura/evaporatore (opzionale):	3 kW
Corrente di commutazione/evaporatore (opzionale):	16 A
Tipo di protezione:	IP65
Fusibile:	1 A T
Allacciamento alla rete di alimentazione come collegamento fisso (allacciamento fisso)	

### Unità di comando

Cavo di collegamento:	RJ10 - 4 poli
Dimensioni (larg. x alt. x prof.):	92 x 120 x 44,5 mm
Temperatura ambiente:	da 0 °C a +100 °C
Apertura per l'installazione (Ø x T):	Ø 70 x 35 mm
Tipo di protezione:	IP54

### Luce

Potere di rottura:	100 W
Fusibile:	1 A T

### Ventilatore

Potere di rottura:	100 W
Fusibile:	4 A T



---

**Intervalli di regolazione**

---

Temperatura:	da 30 °C a 110 °C
Umidità:	da 30 % a 99 %

In questo caso il valore massimo impostabile per l'umidità dipende dalla temperatura presente nella sauna. Maggiore è la temperatura, minore sarà il valore massimo impostabile per l'umidità.

---

**Sicurezza termica**

---

Sensore della stufa con fusibile termico di protezione (temperatura di spegnimento 139 °C)

Limitazione del tempo di riscaldamento automatico regolabile (1 - 12 ore)\*

Funzionamento a scelta a uno o due sensori

---

**Cavi di alimentazione**

---

Cavo di alimentazione:	min 5 x 2,5 mm <sup>2</sup>
Cavo di alimentazione stufa (termostabile fino a 150 °C):	min 2,5 mm <sup>2</sup>
Cavi dei sensori (termostabili fino a 150 °C):	min 0,5 mm <sup>2</sup>
Cavo della luce:	min 1,5 mm <sup>2</sup>
Cavo del ventilatore:	min 1,5 mm <sup>2</sup>

\* La direttiva EN 60335-2-53 stabilisce per le saune per uso privato una limitazione del tempo di riscaldamento di 6 h. Per saune in hotel, caseggiati e posti simili, è ammessa una limitazione del tempo di riscaldamento di 12 h.

# Saunabesturing

# wave.com4 11 kW

MONTAGE- EN GEBRUIKSAANWIJZING  
Nederlands



WC4-B-D/W/S



WC4-B-11

NL

wave.com4 basismodule 11 kW	1-049-633 / WC4-B-11
wave.com4 bedieningspaneel donker hout	1-008-128 / WC4-B-D
wave.com4 bedieningspaneel zwart	1-010-433 / WC4-B-S
wave.com4 bedieningspaneel wit	1-010-433 / WC4-B-W

# Inhoudsopgave

<b>1. Over deze handleiding</b>	<b>5</b>
<b>2. Belangrijke aanwijzingen voor uw veiligheid</b>	<b>6</b>
2.1. Reglementair gebruik	6
2.2. Veiligheidsvoorschriften voor de monteur	7
2.3. Veiligheidsvoorschriften voor de gebruiker	8
<b>3. Productbeschrijving</b>	<b>9</b>
3.1. Leveromvang	9
3.2. Niet bij levering inbegrepen	9
3.3. Optionele toebehoren	9
3.4. Productfuncties	10
3.5. Saunabedrijfsmodi	11
3.6. Voelerbedrijfsmodi	11
<b>4. Montage</b>	<b>13</b>
4.1. Montage van de voedingseenheid	13
4.2. Hoofdschakelaar monteren	13
4.3. Cabellicht/lichschakelaar monteren	13
4.4. Montage van de uitbreidingsplatine (optioneel)	14
4.5. Bedieningspaneel monteren	14
4.6. Kachelvoeler F1 met oververhittingsbeveiliging monteren	15
4.8. Bankvoeler F2 monteren (optioneel)	16
4.9. Vochtigheidsvoeler WC4-H-H monteren (optioneel)	16
4.7. Vochtigheidstemperatuursensor FTS2 monteren (optioneel)	16
<b>5. Elektrische aansluiting</b>	<b>17</b>
5.1. Voedingskabel en kachel aansluiten	18
5.2. Verdampers aansluiten (optioneel)	18
5.3. Bedieningspaneel aansluiten	18

5.4.	Externe hoofdschakelaar aansluiten.....	19
5.5.	Licht aansluiten.....	19
5.6.	Externe lichtschakelaar aansluiten.....	19
5.7.	Ventilator aansluiten (optioneel).....	19
5.8.	Kachelvoeler F1 aansluiten.....	20
5.9.	Vochtigheidstemperatuursensor FTS2 aansluiten (optioneel).....	20
5.10.	Bankvoeler F2 aansluiten (optioneel).....	20
5.11.	Vochtigheidsvoeler WC4-H-H aansluiten (optioneel).....	21
5.12.	Dummyvoeler aansluiten (optioneel).....	21
5.13.	Vermogensuitbreiding aansluiten (optioneel).....	21
5.14.	Starten op afstand aansluiten .....	21
5.15.	Installatie afronden.....	22
<b>6.</b>	<b>Controles uitvoeren</b> .....	<b>22</b>
<b>7.</b>	<b>Aansluitschema</b> .....	<b>23</b>
7.1.	Aansluitschema basismodule.....	23
7.2.	Aansluitschema uitbreidingsplaatje (optioneel).....	24
<b>8.</b>	<b>Bedienings- en weergave-elementen</b> .....	<b>25</b>
<b>9.</b>	<b>Bediening</b> .....	<b>26</b>
9.1.	Inschakelen.....	26
9.2.	Verwarmingstijd instellen.....	26
9.3.	Taal instellen.....	26
9.4.	Licht inschakelen (reinigingslicht).....	27
9.5.	Bedrijfsmodus instellen.....	27
9.6.	Saunamodus <b>FIN</b> starten.....	27
9.7.	Saunamodus <b>FIN</b> uitschakelen.....	28
9.8.	Combimodus <b>FEU</b> starten.....	28
9.9.	Combimodus <b>FEU</b> uitschakelen.....	28
9.10.	Nadroogprogramma annuleren.....	29
9.11.	Timer instellen.....	29

9.12. Licht dimmen.....	29
9.13. Voorkeuzetijd instellen.....	30
9.14. ECO-modus.....	30
9.15. Stand-by voor bediening op afstand activeren.....	31
9.16. Starten op afstand - vrijgave.....	31
9.17. Extra bedieningspaneel activeren.....	32
9.18. Akoestisch signaal instellen.....	32
9.19. Displayroulatie inschakelen.....	33
9.20. Nadroogprogramma instellen.....	33
9.21. Saunabesturing uitschakelen.....	34
<b>10. Reiniging en onderhoud.....</b>	<b>34</b>
10.1. Reiniging.....	34
10.2. Onderhoud.....	34
<b>11. Afvoer.....</b>	<b>34</b>
<b>12. Probleemoplossing.....</b>	<b>35</b>
12.1. Foutmeldingen.....	35
12.2. Zekeringen.....	36
12.3. Temperatuurcorrectie.....	36
<b>13. Technische gegevens.....</b>	<b>37</b>



# 1. Over deze handleiding

Lees deze montage- en gebruiksaanwijzing goed door en bewaar deze in de buurt van de saunabesturing. Zo kunt u te allen tijde informatie over uw veiligheid en de bediening nalezen.



U vindt deze montage- en gebruiksaanwijzing ook op onze website:  
[www.sentiotec.com/downloads](http://www.sentiotec.com/downloads).

## **Symbolen in waarschuwingen**

In deze montage- en gebruiksaanwijzing staat bij werkzaamheden die gevaarlijk kunnen zijn een waarschuwing. Neem deze waarschuwingen steeds in acht. Zo voorkomt u materiële schade, letsel en zelfs de dood.

In de waarschuwingen worden signaalwoorden gebruikt die de volgende betekenis hebben:



### **GEVAAR!**

Als u deze waarschuwing niet in acht neemt, leidt dit tot ernstig letsel of de dood.



### **WAARSCHUWING!**

Als u deze waarschuwing niet in acht neemt, kan dit leiden tot ernstig letsel of de dood.



### **VOORZICHTIG!**

Als u deze waarschuwing niet opvolgt, kan dit leiden tot licht letsel.

### **LET OP!**

Dit signaalwoord waarschuwt voor materiële schade.

## **Andere symbolen**



Dit symbool duidt op tips en nuttige aanwijzingen.

## **2. Belangrijke aanwijzingen voor uw veiligheid**

De saunabesturing wave.com4 11 kW is gebouwd volgens erkende veiligheidstechnische voorschriften. Toch kunnen bij het gebruik gevaren ontstaan. Neem daarom de volgende veiligheidsvoorschriften en de speciale waarschuwingen in de montage- en gebruiksaanwijzing in acht. Neem ook de veiligheidsvoorschriften van de aangesloten apparaten in acht.

### **2.1. Reglementair gebruik**

De saunabesturing wave.com4 11 kW is uitsluitend bedoeld voor de besturing en regeling van de functies op basis van de technische gegevens.

De saunabesturing mag alleen voor de besturing en regeling van 3 verwarmingskringen met maximaal 3,7 kW vermogen per verwarmingskring worden gebruikt.

Bij gebruik van de optionele wave.com4-uitbreidingsplaat (WC4-H-PCB) bedraagt het maximale verdampervermogen 3,0 kW.

Conform EN 60335-2-53 mogen saunabesturingen op afstand alleen voor het besturen en het regelen van een saunakachel die voldoet aan de in paragraaf 19.101 gespecificeerde afdekttest, worden gebruikt. Als alternatief moet een desbetreffende (bijv.: veiligheidsuitschakeling, deurcontact...) worden geïnstalleerd.

Elk ander gebruik geldt als niet-reglementair. Niet-reglementair gebruik kan leiden tot productbeschadiging, ernstig letsel of de dood. Bij niet-reglementair gebruik vervalt de garantie.

## 2.2. Veiligheidsvoorschriften voor de monteur

- De elektrische aansluiting mag alleen door een elektricien of een vergelijkbaar gekwalificeerde persoon worden uitgevoerd. Houd er rekening mee dat in geval van een garantieclaim een kopie van de rekening van de elektricien moet worden voorgelegd.
- Werkzaamheden aan de saunabesturing mogen alleen in spanningsvrije toestand worden uitgevoerd.
- Op de plaats van opstelling moet een volledige scheidingsinrichting met complete uitschakeling overeenkomstig de overspanningscategorie III worden aangebracht.
- De voedingseenheid van de wave.com4 11 kW (WC4-B-11) moet met inachtneming van de technische gegevens worden gemonteerd.
- Het bedieningspaneel mag binnen en buiten de sauna worden gemonteerd, maar altijd met inachtneming van de meegeleverde montage- en gebruiksaanwijzing.
- Neem ook de plaatselijke bepalingen op de plaats van opstelling in acht.
- Raadpleeg voor problemen die in de montageaanwijzingen niet uitvoerig genoeg werden behandeld in het belang van uw eigen veiligheid uw leverancier.

### 2.3. Veiligheidsvoorschriften voor de gebruiker

- De saunabesturing mag niet door kinderen onder 8 jaar worden gebruikt.
- De saunabesturing mag door kinderen boven 8 jaar, door personen met verminderd fysisch, sensorisch of mentaal vermogen en door personen met gebrek aan kennis en ervaring onder de volgende voorwaarden worden gebruikt:
  - onder toezicht
  - indien veilig gebruik werd gedemonstreerd en ze de gevaren die kunnen ontstaan, begrijpen.
- Kinderen mogen niet met de saunabesturing spelen.
- Kinderen onder 14 jaar mogen de saunabesturing alleen onder toezicht reinigen.
- Maak in het belang van uw eigen gezondheid geen gebruik van de sauna, indien u onder invloed bent van alcohol, medicamenten of drugs.
- Controleer of er geen brandbare voorwerpen op de saunakachel liggen voordat u de saunabesturing inschakelt.
- Controleer of er geen brandbare voorwerpen op de saunakachel liggen, alvorens de voorselectie-tijdsfunctie of de stand-bymodus voor de start op afstand te activeren.
- Raadpleeg in het geval van problemen die in de gebruiksaanwijzing niet uitvoerig genoeg worden behandeld in het belang van uw eigen veiligheid uw leverancier.

## 3. Productbeschrijving

De saunabesturing wave.com4 11 kW is een tweedelige saunabesturing. Voor de werking zijn altijd een voedingseenheid basismodule (WC4-B-11), een bedieningspaneel (WC4-B-S, WC4-B-D of WC4-B-W) en een kachelvoeler (WC4-B-F1D of WC4-B-F1H) vereist.

### 3.1. Leveromvang

- Voedingseenheid (1-049-633 / WC4-B-11)
- Montage- en gebruiksaanwijzing

### 3.2. Niet bij levering inbegrepen

- Hoofdschakelaar (gangbare schakelaar 230V)
- Lichtschakelaar (gangbare schakelaar 230V)
- Bedieningspaneel donker hout (1-008-128 / WC4-B-D)  
of bedieningspaneel zwart (1-010-389 / WC4-B-S)  
of bedieningspaneel wit (1-010-437 / WC4-B-W)
- Kachelvoeler licht hout (1-013-651 / WC4-B-F1H), voelerkabels 5 m  
of kachelvoeler donker hout (1-003-479 / WC4-B-F1D), voelerkabels 5 m

### 3.3. Optionele toebehoren

- Uitbreidingsplaat voor vochtigheid, bankvoeler (1-003-472 / WC4-H-PCB)
- Bankvoeler WC4 donker hout (1-003-295 / WC4-H-F2D), voelerkabels 5 m
- Bankvoeler WC4 licht hout (1-013-662 / WC4-H-F2H), voelerkabels 5 m
- Vochtigheidsvoeler donker hout (1-003-364 / WC4-H-HD), voelerkabels 5 m
- Vochtigheidsvoeler licht hout (1-013-669 / WC4-H-HH), voelerkabels 5 m
- Vochtigheidstemperatuursensor (1-010-081 / O-FTS2), voelerkabels 6 m
- Sensorbehuizing voor FTS2 donker hout (1-041-521 / SC-FTS2-D)
- Sensorbehuizing voor FTS2 licht hout (1-041-520 / SC-FTS2-D)
- Y-adaptor RJ10 4-polig (1-028-167 / WC4-C-ADY)
- Vermogensuitbreiding (1-008-779 / O-S2-18, 1-009-280 / O-S2-30)
- Veiligheidsuitschakeling (SFE-xxxxx)
- Starten op afstand-systeem (1-051-003 / FS-SY)
- Deursensor-systeem (1-052-722 / SAB00102)

### 3.4. Productfuncties

De saunabesturing wave.com4 11 kW beschikt over de volgende functies:

- Regelen van de saunakachel met een verwarmingsvermogen tot 11 kW
- Met de uitbreidingsplatine regelen van combikachels met een verwarmingsvermogen tot 11 kW en een verdampervermogen tot 3 kW.
- Met een vermogensuitbreiding kan het maximale schakelvermogen van 11 kW worden verhoogd.
- Aansluitmogelijkheid van een externe hoofdschakelaar
- Aansluitmogelijkheid van een externe lichtschakelaar
- Schakelen en dimmen van cabine-licht (tot 100W-gloeilamp)
- Schakelen van een ventilator (tot 100 W)
- Automatische begrenzing van de verwarmingstijd  
Uit veiligheidsoverwegingen schakelt de saunabesturing na afloop van de maximale verwarmingstijd automatisch uit (1 tot 12 uur)
- Voorkeuzetijdfunctie (1 tot 24 uur)
- Akoestisch signaal voor tijdsinterval (bijv. opgietsignaal)
- Nadroogprogramma  
Na de combimodus wordt het nadroogprogramma automatisch gestart om de vorming van schimmel en rot in de saunacabine te vermijden. (3 instelmogelijkheden).
- Afstandsbediening
- Eco-modus  
Met de Eco-modus kan na een pauze (20, 40 of 60 min) dezelfde cabinetemperatuur worden hersteld.
- Oververhittingsbeveiliging  
De oververhittingsbeveiliging bevindt zich in de behuizing van de kachelvoeler. Wanneer de saunakachel, na het bereiken van de gewenste temperatuur, door een defect blijft verwarmen, schakelt de oververhittingsbeveiliging bij ongeveer 139 °C de saunakachel automatisch uit.

### 3.5. Saunabedrijfsmodi

#### **Saunamodus**

In de saunamodus is droge warmte beschikbaar. De temperatuur in de cabine is hoog (80 tot 100 °C). De vochtigheidswaarden bedragen maximaal slechts 10%.

#### **Combimodus (optioneel – met uitbreidingsplatine)**

In de combimodus is naast de saunakachel ook de verdampers actief. De temperatuur in de saunacabine is lager (ca. 40 tot 65 °C) dan in de saunamodus, maar de relatieve luchtvochtigheid is met 35% tot ongeveer 70% wel aanzienlijk hoger. Hierbij is de maximaal instelbare gewenste vochtigheid afhankelijk van de saunatemperatuur. Hoe hoger de saunatemperatuur, hoe lager de maximaal instelbare vochtigheidswaarde (zie afb. 1).

### 3.6. Voelerbedrijfsmodi

De saunabesturing wave.com4 11 kW kan met een, twee of drie voelers worden gebruikt.

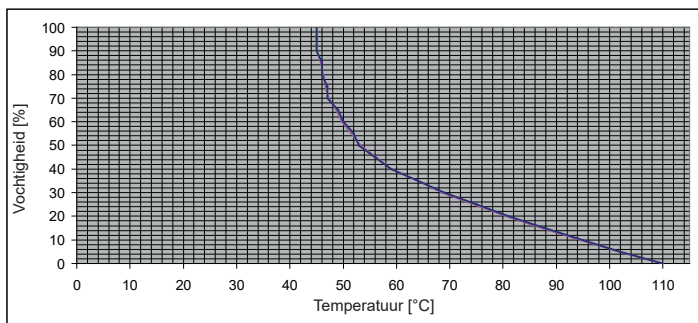
#### **Eenvoelermodus (F1)**

De eenvoelermodus is standaard geactiveerd.

In de eenvoelermodus wordt de saunabesturing alleen met de kachelvoeler met oververhittingsbeveiliging gebruikt.

De saunabesturing toont standaard de werkelijke temperatuur. De gewenste temperatuur wordt tijdens het instellen weergegeven.

De maximaal instelbare vochtigheidswaarde (optioneel – met uitbreidingsplatine) richt zich in de eenvoelermodus naar de temperatuur boven de kachel en de vochtigheid wordt verdeeld. Op het display van de saunabesturing wordt nu de gewenste waarde voor de vochtigheid (in % relatieve luchtvochtigheid) weergegeven. De werkelijke vochtigheid in de saunacabine is bij verdeelde vochtigheid afhankelijk van de grootte van de cabine en het verdampingsvermogen en kan afwijken van de ingestelde gewenste waarde.



Afb. 1: Grafiek vochtigheid/temperatuur

***Tweevoelermodus met vochtigheidstemperatuursensor (FTS2)  
(optioneel – met uitbreidingsplatine)***

In de tweevoelermodus met vochtigheidstemperatuursensor geeft de saunabesturing als werkelijke temperatuur de temperatuur weer die door de vochtigheidstemperatuursensor wordt gemeten.

In de tweevoelermodus met vochtigheidstemperatuursensor wordt de verdamper geregeld naargelang de vochtigheid die in de cabine wordt gemeten. Op het display van de saunabesturing wordt de werkelijke vochtigheid in de saunacabine (in % relatieve luchtvochtigheid) weergegeven.

***Tweevoelermodus met bankvoeler (F2)  
(optioneel – met uitbreidingsplatine)***

In de tweevoelermodus met bankvoeler wordt een tweede temperatuurvoeler (bankvoeler) boven de achterste saunabank gemonteerd. De saunabesturing geeft als werkelijke waarde de temperatuur aan die door de bankvoeler wordt gemeten.

In de tweevoelermodus met bankvoeler wordt de vochtigheid verdeeld. Op het display van de saunabesturing wordt nu de gewenste waarde voor de vochtigheid (in % relatieve luchtvochtigheid) weergegeven. De werkelijke vochtigheid in de saunacabine is bij verdeelde vochtigheid afhankelijk van de grootte van de cabine en het verdampingsvermogen en kan afwijken van de ingestelde gewenste waarde.

***Tweevoelermodus met vochtigheidsvoeler (WC4-H-H)  
(optioneel – met uitbreidingsplatine)***

In de tweevoelermodus met vochtigheidsvoeler geeft de saunabesturing als werkelijke temperatuur de temperatuur weer die door de kachelvoeler wordt gemeten. De verdamper wordt geregeld naargelang de vochtigheid die in de cabine wordt gemeten. Op het display van de saunabesturing wordt de werkelijke vochtigheid in de saunacabine (in % relatieve luchtvochtigheid) weergegeven.

***Drievoelermodus met bankvoeler (F2) en vochtigheidsvoeler (WC4-H-Hx)  
(optioneel – met uitbreidingsplatine)***

In de drievoelermodus met bankvoeler en vochtigheidsvoeler geeft de saunabesturing als werkelijke temperatuur de temperatuur weer die door de bankvoeler wordt gemeten.

In de drievoelermodus wordt de verdamper geregeld naargelang de vochtigheid die in de cabine wordt gemeten. Op het display van de saunabesturing wordt de werkelijke vochtigheid in de saunacabine (in % relatieve luchtvochtigheid) weergegeven.



## 4. Montage

Neem bij de montage de technische gegevens in acht, zie pagina 37:

---

### LET OP!

#### ***Storende bronnen beïnvloeden de signaaloverdracht***

- Leg alle voelercabels gescheiden van andere netkabels en stuurkabels.
- Bescherm enkelvoudig geïsoleerde kabels door een buis (dubbele isolatie).



De voelers mogen uitsluitend worden aangesloten met de meegeleverde voelercabels die tot 150 °C temperatuurbestendig zijn.

- De kabels van de kachelvoeler mogen NIET langer zijn dan 10 m.
  - Buiten de cabine mogen de voelercabels worden verlengd met kabels die niet temperatuurbestendig zijn.
- 

### 4.1. Montage van de voedingseenheid

Neem afb. 2 op pagina 14 in acht.

---

### LET OP!

#### ***Schade aan het apparaat***

De saunabesturing is spatwaterdicht. Toch kan rechtstreeks contact met water het apparaat beschadigen.

- Monteer de saunabesturing op een plaats waar een maximale luchtvochtigheid van 95% niet wordt overschreden – geen natte ruimte.
  - Bij montage in de saunacabine mogen de kabelwartels niet naar boven wijzen!
- 

Om de voedingseenheid **1** te monteren, voert u de volgende stappen uit:

1. Neem het deksel van de voedingseenheid.
2. Aan de 4 hoeken van het frame kunt u de voedingseenheid aan de ondergrond bevestigen (zie pijlen Afb. 4 op pagina 17).

**NL**

### 4.2. Hoofdschakelaar monteren

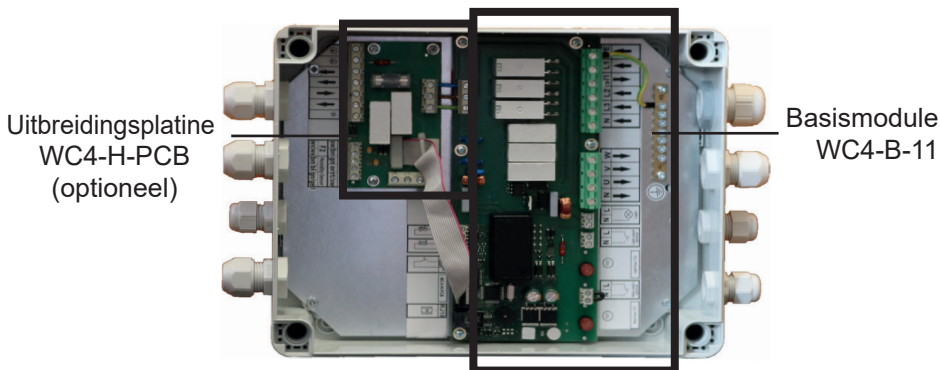
Neem daarbij de gebruiksaanwijzing van de schakelaar in acht.

### 4.3. Cabellicht/lichtschakelaar monteren

Neem daarbij de gebruiksaanwijzing van de schakelaar in acht.

#### 4.4. Montage van de uitbreidingsplatine (optioneel)

1. Verbind de uitbreidingsplatine met de basisplatine door de voorgesmonteerde leidingen (L-N-PE) en de bandkabel op de klemmen aan te sluiten.
2. Bevestig de uitbreidingsplatine met de meegeleverde schroeven.



Afb. 2: Wave.com4 11 kW voedingseenheid

#### 4.5. Bedieningspaneel monteren

Het bedieningspaneel **[2]** wordt aan de cabinewand op maximaal 10 meter afstand tot de voedingseenheid **[1]** gemonteerd. Houd rekening met de kabelgeleiding voor de datakabel.

##### LET OP!

##### **Schade aan het apparaat**

- Het bedieningspaneel **[2]** van de saunabesturing is plensdicht (IP-code IPX4).
- De montage mag uitsluitend met een schroevendraaier worden uitgevoerd. Bij gebruik van een schroefmachine kan de behuizing onherstelbaar beschadigd raken!
- Bij montage in de saunacabine moet een minimumafstand van 30 cm tot het cabineplafond worden aangehouden.

1. Met bijvoorbeeld een boorkrans  $\varnothing 70 \times 35$  mm de uitsparing voor het bedieningspaneel boren.
2. Verbind de 4-polige stekker met de RJ10-bus van het bedieningspaneel.
3. Behuizing met de 4 meegeleverde houtschroeven door de boring aan de cabinewand schroeven.

## 4.6. Kachelvoeler F1 met oververhittingsbeveiliging monteren

Let bij de montage van de kachelvoeler op volgende punten:

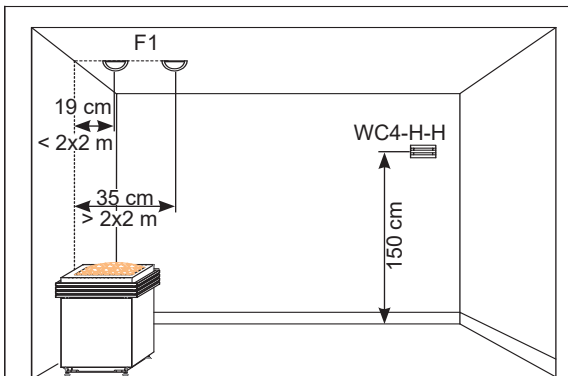
- De kachelvoeler moet aan het cabineplafond boven het midden van de sauna-kachel worden gemonteerd. Daarbij moet bij cabines tot 2 x 2 m een afstand van 19 cm tot de cabinewand worden aangehouden, bij grotere cabines een afstand van 35 cm.
- De kachelvoeler moet zo worden gemonteerd dat hij geen invloed ondergaat van binnenstromende lucht.



Let op dat bij het naar binnen trekken van de voelercabels geen leiding beschadigd raakt!

Om de kachelvoeler te monteren, voert u de volgende stappen uit (zie **Afb. 3**):

1. Boor een gat in het cabineplafond met een boor van 8 mm.
2. Trek de twee 2-polige kabels van de kachelvoeler door het gat.
3. Bevestig de voelerbehuizing met de meegeleverde houtschroeven.
4. Leg de twee 2-polige kabels van de kachelvoeler naar de voedingseenheid en bevestig de kabels van de kachelvoeler met kabelklemmen.
5. Controleer of de kachelvoeler goed bevestigd is.



**Afb. 3: Montage voeler**

#### **4.7. Vochtigheidstemperatuursensor FTS2 monteren (optioneel)**

De vochtigheidstemperatuursensor moet aan de cabinewand boven de achterste zitbank worden gemonteerd. Daarbij dient een afstand van ongeveer 15 cm tot het cabineplafond te worden aangehouden. Neem de montagehandleiding van de sensor in acht.



---

Voor de vochtigheidstemperatuursensor is optioneel een houten behuizing verkrijgbaar.

---

#### **4.8. Bankvoeler F2 monteren (optioneel)**

De bankvoeler moet op de cabinewand boven de achterste zitbank worden gemonteerd. Daarbij dient een afstand van ongeveer 15 cm tot het cabineplafond te worden aangehouden.

Om de bankvoeler te monteren, voert u de volgende stappen uit:

1. Boor een gat in de cabinewand met een boor van 8 mm.
2. Trek de 2-polige kabel van de bankvoeler door het gat.
3. Bevestig de voelerbehuizing met de meegeleverde houtschroeven.
4. Leg de 2-polige kabel van de bankvoeler naar de voedingseenheid en bevestig de kabel van de bankvoeler met kabelklemmen.
5. Controleer of de bankvoeler goed vast zit.

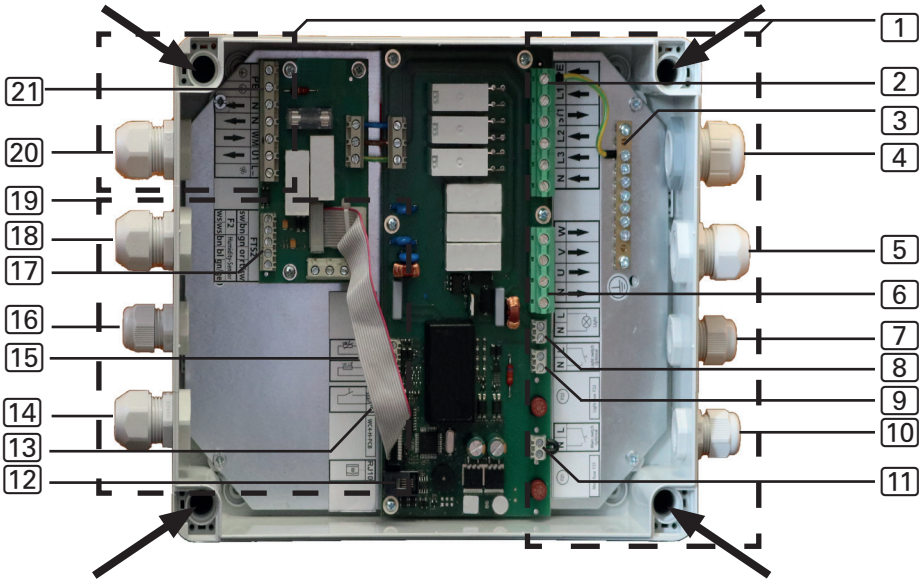
#### **4.9. Vochtigheidsvoeler WC4-H-H monteren (optioneel)**

De vochtigheidsvoeler moet in het midden van de verder van de kachel af liggende zijwand op een hoogte van ca. 150 cm worden gemonteerd (Afb. 3 op pagina 15).

Om de vochtigheidsvoeler te monteren, voert u de volgende stappen uit:

1. Boor een gat in de cabinewand met een boor van 8 mm.
2. Trek de 3-polige kabel van de vochtigheidsvoeler door het gat.
3. Bevestig de voelerbehuizing met de meegeleverde houtschroeven.
4. Leg de 3-polige kabel van de vochtigheidsvoeler naar de voedingseenheid en bevestig de kabel van de vochtigheidsvoeler met kabelklemmen.
5. Controleer of de vochtigheidsvoeler goed bevestigd is.

## 5. Elektrische aansluiting



**Afb. 4: Elektrische aansluiting**

- |    |   |    |   |
|----|---|----|---|
| 1  | Aansluitbereik voor 230 V / 400 V                   | 12 | RJ10-bus voor datakabel bedieningspaneel                            |
| 2  | Klemmenstrook voor voedingskabel                    | 13 | Klemmenstrook voor starten op afstand                               |
| 3  | Aardrail  | 14 | Kabelwartel voor RJ10-datakabel, F1/F2-voeler en starten op afstand |
| 4  | Kabelwartel voor voedingskabel                      | 15 | Klemmenstrook voor F1-voeler  |
| 5  | Kabelwartel voor kachelkabel                        | 16 | Kabelwartel voor WC4-H-H / FTS2-voeler                              |
| 6  | Klemmenstrook voor kachelkabel                      | 17 | Klemmenstrook voor F2 / WC4-H-H / FTS2-voeler                       |
| 7  | Kabelwartel voor licht en vermogensuitbreiding      | 18 | Kabelwartel voor ventilator   |
| 8  | Klemmenstrook voor licht                            | 19 | Aansluitbereik voor extra lage spanning                             |
| 9  | Klemmenstrook voor lichtschakelaar                  | 20 | Kabelwartel voor verdamperkabel                                     |
| 10 | Kabelwartel voor lichtschakelaar en hoofdschakelaar | 21 | Klemmenstrook voor verdamperkabel en ventilator                     |
| 11 | Klemmenstrook voor hoofdschakelaar                  |    |   |



Neem „5. Elektrische aansluiting” op pagina 17, „7.1. Aansluit-schema basismodule” op pagina 23 en „7.2. Aansluitschema uitbreidingsplatine (optioneel)” op pagina 24 in acht.

### 5.1. Voedingskabel en kachel aansluiten

1. Leg de voedings- en kachelkabel door de kabelwartels **4** en **5** in het aansluitbereik voor 230 V / 400 V **1**.
2. Sluit de aansluitkabels aan op de desbetreffende klemmenstroken **2** en **6**.  
Neem daarbij de gebruiksaanwijzing van de desbetreffende apparaten in acht.

### 5.2. Verdampers aansluiten (optioneel)

1. Leg de verdamperskabel (optioneel met uitbreidingsplatine) door de kabelwartel **20** in het aansluitbereik voor 230 V / 400 V **1**.
2. Sluit de aansluitkabels aan op de desbetreffende klemmenstroken **21**.  
Neem daarbij de gebruiksaanwijzing van de verdampers in acht.



Als de verdampers geen automatische indicator voor watertekort heeft, verbindt u de klem „U1” via een draadbrug met de klem „WM” of wijzigt u de instelling van het akoestische signaal (zie pagina 32).

### 5.3. Bedieningspaneel aansluiten

1. Leg de aansluitkabel van het bedieningspaneel door de kabelwartel **14** in het aansluitbereik voor extra lage spanning **19**.
2. Steek de stekker van de RJ10-kabel in de aansluitbus **12**.



De saunabesturingen wave.com4 11 kW maken het gebruik van maximaal 4 bedieningspanelen op één voedingseenheid mogelijk. Gebruik voor de aansluiting van de optionele bedieningspanelen de Y-adaptor (zie „3.3. Optionele toebehoren” op pagina 9).

## 5.4. Externe hoofdschakelaar aansluiten

De hoofdschakelaar is niet bij levering inbegrepen.

1. Leg de aansluitkabel van de hoofdschakelaar door de kabelwartel **10** in het aansluitbereik voor 230 V / 400 V **1**.
2. Sluit de kabel aan op de klemmenstrook **11**. Neem daarbij de gebruiksaanwijzing van de schakelaar in acht.



---

In de leveringstoestand zijn de contacten kortgesloten.  
Verwijder de draadbrug voor de montage.

---

## 5.5. Licht aansluiten

1. Leg de lichtkabel door de kabelwartel **7** in het aansluitbereik voor 230 V / 400 V **1**.
2. Sluit de lichtkabel aan op de klemmenstrook **8**. Neem daarbij de gebruiksaanwijzing van de schakelaar in acht.

## 5.6. Externe lichtschakelaar aansluiten

De lichtschakelaar is niet bij levering inbegrepen.

3. Leg de aansluitkabel van de lichtschakelaar door de kabelwartel **10** in het aansluitbereik voor 230 V / 400 V **1**.
4. Sluit de kabel aan op de klemmenstrook **9**. Neem daarbij de gebruiksaanwijzing van de schakelaar in acht.

## 5.7. Ventilator aansluiten (optioneel)

1. Leg de ventilatorkabel door de kabelwartel **18** in het aansluitbereik voor 230 V / 400 V **1**.
2. Sluit de ventilatorkabel aan op de klemmenstrook **21**. Neem daarbij de gebruiksaanwijzing van de ventilator in acht.

## 5.8. Kachelvoeler F1 aansluiten

1. Leg de kabels van de kachelvoeler door de kabelwartel **14** in het aansluitbereik voor extra lage spanning **19**.
2. Sluit de rode kabels van de kachelvoeler (STB) aan op de klemmen met het opschrift „**R-R**” in de klemmenstrook **15**.
3. Sluit de witte kabels van de kachelvoeler (F1) aan op de klemmen met het opschrift „**W-W**” in de klemmenstrook **15**.



Voor de eenvoelermodus met verdeelde vochtigheid moet de dummyvoeler worden gemonteerd (zie 5.12 op pagina 21).

## 5.9. Vochtigheidstemperatuursensor FTS2 aansluiten (optioneel)

1. Leg de sensorkabels door de kabelwartel **16** in het aansluitbereik voor extra lage spanning **19**.
2. Sluit de temperatuursensorkabels aan op de klemmen met het opschrift „**FTS2: sw-br**” in de klemmenstrook **17**.
  - a. Sluit de zwarte kabel aan op klem „**sw**”.
  - b. Sluit de bruine kabel aan op klem „**br**”.
3. Sluit de vochtigheidssensorkabels aan op de klemmen met het opschrift „**FTS2: gn-or-rt**” in de klemmenstrook **17**.
  - c. Sluit de groene kabel aan op klem „**gn**”.
  - d. Sluit de oranje kabel aan op klem „**or**”.
  - e. Sluit de rode kabel aan op klem „**rt**”.

## 5.10. Bankvoeler F2 aansluiten (optioneel)

1. Leg de kabels van de bankvoeler door de kabelwartel **14** in het aansluitbereik voor extra lage spanning **19**.
2. Sluit de kabels van de bankvoeler aan op de klemmen met het opschrift „**F2: ws-ws**” in de klemmenstrook **17**.



Voor de tweevoelermodus (F1 en F2) met verdeelde vochtigheid moet de dummyvoeler worden gemonteerd (zie 5.12 op pagina 21).



### 5.11. Vochtigheidsvoeler WC4-H-H aansluiten (optioneel)

1. Leg de sensorcabels door de kabelwartel **[16]** in het aansluitbereik voor extra lage spanning **[19]**.
2. Sluit de kabels van de vochtigheidsvoeler aan op de klemmen met het opschrift „**WC4-H-H: br-bl-gn/ge**” in de klemmenstrook **[17]**.
  - a. Sluit de bruine kabel aan op klem „**br**”.
  - b. Sluit de blauwe kabel aan op klem „**bl**”.
  - c. Sluit de geel-groene kabel aan op klem „**gn/ge**”.
3. Verwijder de FTS2-jumper (zie „7.1. Aansluitschema basismodule” op pagina 23).



De vochtige modus met de vochtigheidsvoeler WC4-H-H kan ook zonder bankvoeler F2 worden gebruikt.

### 5.12. Dummyvoeler aansluiten (optioneel)

1. Sluit de meegeleverde dummyvoeler aan op de klemmen met het opschrift „**WC4-H-H: br-bl**” in de klemmenstrook **[17]**.

### 5.13. Vermogensuitbreiding aansluiten (optioneel)

1. Leg de kabel van de vermogensuitbreiding door de kabelwartel **[7]** in het aansluitbereik voor 230 V / 400 V **[1]**.
2. Sluit de kabel van de vermogensuitbreiding aan op de klemmenstrook **[2]** en **[3]**. Gebruik hierbij de klem „**ST1**” voor het veiligheidscircuit (ST1) en de klem „**V**” voor de stuurkring (ST2). Neem de gebruiksaanwijzing van het desbetreffende apparaat in acht.



In de leveringstoestand is er een kunststofschroef in de klem ST1 geklemd – deze moet eventueel worden verwijderd.

NL

### 5.14. Starten op afstand aansluiten

De aansluiting wordt uitgevoerd via de klemmen „**Remote start**” in het aansluitbereik voor extra lage spanning **[19]**.

Via een schakelaar (doorlopend contact) moet de uitgaande +12V DC worden teruggeleid naar de klem. De laatst gebruikte bedrijfsmodus kan worden ingeschakeld.

## 5.15. Installatie afronden

1. Sluit de aarddraad van de voedingskabel en van alle apparaten aan op de aardrail **3**.
2. Sluit de voedingseenheid.

## 6. Controles uitvoeren

De volgende controles moeten worden uitgevoerd door een erkende elektricien.



### **WAARSCHUWING!**

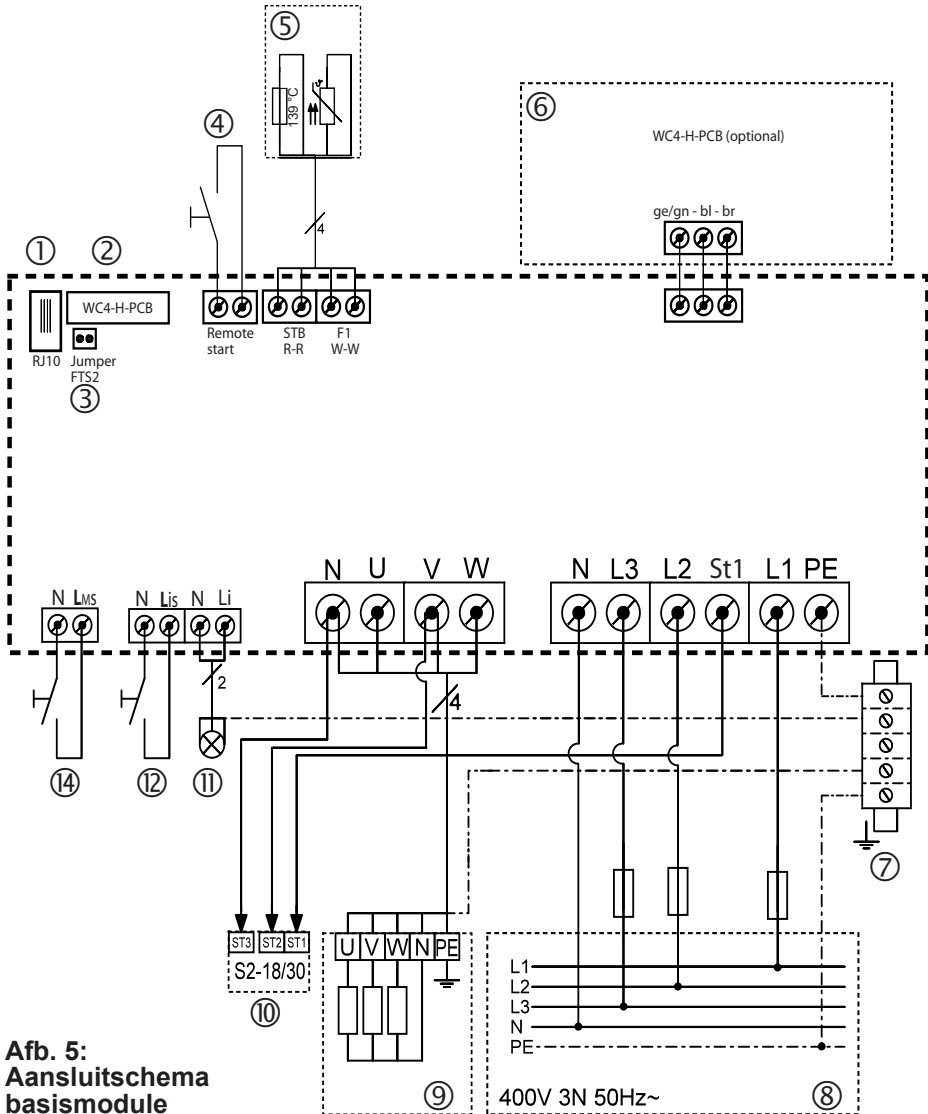
***De volgende controles worden uitgevoerd bij ingeschakelde stroomtoevoer. Er bestaat gevaar voor een elektrische schok.***

- Raak **NOOIT** onderdelen aan die onder spanning staan.

1. Controleer het contact van de aarddraden met de aardklem.
2. Controleer de oververhittingsbeveiliging van de kachelvoeler F1.
  - a. Schakel de saunabesturing in.
  - b. Open de kachelvoeler en maak een van de twee rode kabels van de kachelvoeler los.
    - ▶ Op het display verschijnt „-30” en alle symbolen knipperen.
    - ▶ De besturing schakelt de kachel uit.
  - c. Schakel de saunabesturing uit met de hoofdschakelaar.
  - d. Sluit de rode kabel van de kachelvoeler weer aan.
  - e. Maak nu een van de witte kabels van de kachelvoeler los.
  - f. Schakel de saunabesturing in.
    - ▶ Op het display verschijnt „-21” en alle symbolen knipperen.
    - ▶ De besturing schakelt de kachel uit.
  - g. Schakel de saunabesturing uit met de hoofdschakelaar.
  - h. Sluit de witte kabel van de kachelvoeler weer aan.
3. Controleer de fasedoorschakeling L1, L2, L3 naar U, V, W.
4. Controleer het maximaal toegestane verwarmingsvermogen van 3,7 kW per fase.
5. Optioneel – met uitbreidingsplatine: controleer de fasedoorschakeling voor de verdampermodus L1, L2, L3 naar U1, V, W.
6. Bij optionele vermogensuitbreiding: controleer de stuurkabels ST1, ST2 en ST3.

## 7. Aansluitschema

### 7.1. Aansluitschema basismodule

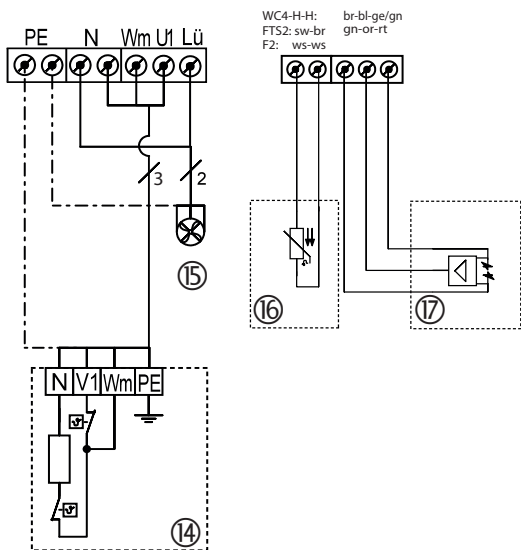


NL

Oven [kW]	Voedingskabel Kachelvoedingskabel (temperatuurbestendig tot 150 °C)	Zekering [A]
0 - 6,9	5 x 1,5 mm <sup>2</sup>	3 x 10
< 6,9 - 11	5 x 2,5 mm <sup>2</sup>	3 x 16

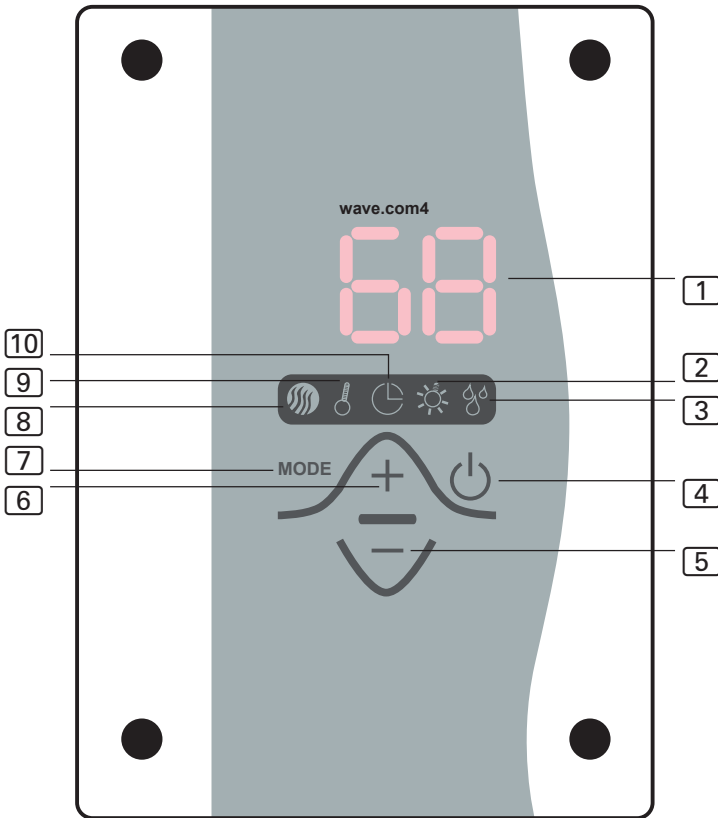
- |  |                                       |
|--|---------------------------------------|
| ① RJ10-aansluiting bedieningspaneel                | ⑨ Verwarmingssysteem (max.11 kW)      |
| ② Uitbreidingsplatine                              | ⑩ Vermogensuitbreiding                |
| ③ Jumper voor FTS2                                 | ⑪ Licht                               |
| ④ Starten op afstand                               | ⑫ Lichtschakelaar                     |
| ⑤ Kachelvoeler met oververhittingsbeveiliging (F1) | ⑬ Hoofdschakelaar                     |
| ⑥ Uitbreidingsplatine                              | ⑭ Verdampers (max. 3 kW)              |
| ⑦ Aardrail   | ⑮ Ventilator                          |
| ⑧ Stroomvoorziening van de saunabesturing          | ⑯ Bankvoeler (F2 / FTS2)              |
|  | ⑰ Vochtigheidsvoeler (WC4-H-H / FTS2) |

## 7.2. Aansluitschema uitbreidingsplatine (optioneel)



Afb. 6: Aansluitschema uitbreidingsplatine

## 8. Bedienings- en weergave-elementen



1	Display (zevensegmentweergave van 3 tekens)	6	Plus
2	Controlelampje: <i>Licht</i>	7	Mode (instellingen)
3	Controlelampje: <i>Vochtigheid</i>	8	Controlelampje: <i>Stand-by</i>
4	Aan/uit	9	Controlelampje: <i>Temperatuur</i>
5	Min	10	Controlelampje: <i>Timer</i>

## 9. Bediening

Neem „8. Bedienings- en weergave-elementen” op pagina 25 in acht.

### 9.1. Inschakelen

Schakel de besturing in door de externe hoofdschakelaar (optioneel) in te schakelen.

- ▶ Het controlelampje Stand-by **[8]** brandt.

### 9.2. Verwarmingstijd instellen

De verwarmingstijd kan in uren (1 - 12) worden ingesteld.

De besturing moet zich voor deze programmering in de stand-bymodus bevinden. Druk tegelijkertijd voor 3 seconden op de toetsen Aan/uit **[4]** en Min **[5]**.

- ▶ Het display **[1]** geeft de laatst ingestelde tijd knipperend weer.

Selecteer met de toetsen Min **[5]** en Plus **[6]** de gewenste verwarmingstijd (uit, 1 - 12).

Bevestig de instelling met de toets Aan/uit **[4]**, u gaat direct naar de taalinstelling (zie pagina 26). Druk ter bevestiging op de toets Aan/uit **[4]**.

- ▶ Het controlelampje Stand-by **[8]** brandt.

### 9.3. Taal instellen

De volgende talen zijn beschikbaar:

Duits, Engels, Frans, Italiaans, Nederlands

De besturing moet zich voor deze programmering in de stand-bymodus bevinden.

Druk tegelijkertijd voor 3 seconden op de toetsen Aan/uit **[4]** en Min **[5]**.

Hierdoor komt u in het menu voor de verwarmingstijd. Ga met de toets Mode **[7]** naar het taalmenu. Selecteer de gewenste taal met de toetsen Min **[5]** en Plus **[6]**.

Bevestig de instelling met de toets Mode **[7]**.

## 9.4. Licht inschakelen (reinigingslicht)

Het licht (reinigingslicht) in de saunacabine kan via een externe lichtschakelaar onafhankelijk van de bedrijfsmodus worden in- en uitgeschakeld.

Het licht (reinigingslicht) in de saunacabine kan op het bedieningspaneel worden in- en uitgeschakeld door op de toets Aan/uit **[4]** te drukken. (De besturing moet zich voor deze programmering in de stand-bymodus bevinden.) Het licht schakelt na 5 minuten automatisch uit.

- ▶ Het controlelampje Stand-by **[8]** knippert = stand-bymodus.

Het licht in de saunacabine kan worden gedimd. De besturing moet zich hiervoor in de bedrijfsmodus *FIN* of *FEU* bevinden (zie „9.12. Licht dimmen” op pagina 29).

## 9.5. Bedrijfsmodus instellen

De volgende bedrijfsmodi zijn beschikbaar:

- Saunamodus „*FIN*” (=standaard)
- Combimodus „*FEU*”
- Reinigingslicht „*AUS*”

Druk op de toets Aan/uit **[4]** en selecteer met de toetsen Min **[5]** en Plus **[6]** de gewenste bedrijfsmodus.

## 9.6. Saunamodus *FIN* starten

Selecteer de bedrijfsmodus *FIN*. Druk vervolgens kort op de toets Aan/uit **[4]**.

- ▶ De besturing start met de laatste instellingen van deze bedrijfsmodus.
- ▶ De controlelampjes Stand-by **[8]** en Temperatuur **[9]** branden.

Selecteer met de toetsen Min **[5]** en Plus **[6]** de gewenste temperatuur (< 110 °C).

- ▶ Het display **[1]** toont voor enkele seconden de gewenste temperatuur (gewenste waarde), daarna wordt de gemeten temperatuur (werkelijke waarde) weergegeven.

## 9.7. Saunamodus *FIN* uitschakelen

Druk kort op de toets Aan/uit **[4]**.

- ▶ De saunakachel wordt uitgeschakeld.
- ▶ Het controlelampje Stand-by **[8]** knippert. U bevindt zich in de bedrijfsmodus **AUS**.
- ▶ Het licht (reinigingslicht) brandt.

Om de besturing uit te schakelen, drukt u kort op de toets Aan/uit **[4]**.

- ▶ Het controlelampje Stand-by **[8]** knippert = stand-bymodus.

## 9.8. Combimodus *FEU* starten

Selecteer de bedrijfsmodus **FEU**. Druk kort op de toets Aan/uit **[4]**.

- ▶ De besturing start met de laatste instellingen van deze bedrijfsmodus.
- ▶ De controlelampjes Stand-by **[8]** en Temperatuur **[9]** branden.

Selecteer met de toetsen Min **[5]** en Plus **[6]** de gewenste temperatuur.

- ▶ Het display **[1]** toont voor enkele seconden de gewenste temperatuur (gewenste waarde), daarna wordt de gemeten temperatuur (werkelijke waarde) weergegeven.

Druk op de toets Mode **[7]** tot het controlelampje Vochtigheid **[3]** brandt.

Selecteer met de toetsen Min **[5]** en Plus **[6]** de gewenste vochtigheid (< 70 °C, zie „Afb. 1: Grafiek vochtigheid/temperatuur” op pagina 11).

- ▶ Het display **[1]** toont de gewenste vochtigheid (gewenste waarde). Bij montage van een vochtigheidsvoeler (optioneel) wordt na enkele seconden de gemeten vochtigheid (werkelijke waarde) weergegeven.

## 9.9. Combimodus *FEU* uitschakelen

Druk kort op de toets Aan/uit **[4]**.

- ▶ De saunakachel en de verdamper worden uitgeschakeld.
- ▶ Het controlelampje Stand-by **[8]** knippert. U bevindt zich in de bedrijfsmodus **AUS**.
- ▶ Het licht (reinigingslicht) brandt.

Om de besturing uit te schakelen, drukt u kort op de toets Aan/uit **[4]**.

- ▶ Het controlelampje Stand-by **[8]** knippert = stand-bymodus.



## 9.10. Nadroogprogramma annuleren

Na combimodus wordt het nadroogprogramma automatisch gestart. Op het display **[1]** wordt de tekst „dry” weergegeven en het controlelampje Vochtigheid knippert. Mogelijke instellingen voor het nadroogprogramma, zie „**Nadroogprogramma instellen**” op pagina 33.

- ▶ Druk tegelijkertijd voor ca. 3 seconden op de toetsen Aan/uit **[4]** en Min **[5]**.



Om vorming van schimmel en rot te voorkomen mag het nadroogprogramma NIET worden afgebroken.

## 9.11. Timer instellen

De timer kan in minuten (0 - 99) worden ingesteld. Na afloop van de tijd weerklinkt er een akoestisch signaal (zoemer in de voedingseenheid).

Druk op de toets Mode **[7]** tot het controlelampje Timer **[10]** brandt. Selecteer met de toetsen Min **[5]** en Plus **[6]** het gewenste interval.

- ▶ Het display **[1]** toont de resterende tijd.

## 9.12. Licht dimmen

Het licht in de saunacabine kan worden gedimd. De besturing moet zich hiervoor in de bedrijfsmodus *FIN* of *FEU* bevinden.

Druk op de toets Mode **[7]** tot het controlelampje Licht **[2]** brandt.

- ▶ Selecteer de gewenste intensiteit van het cabinelicht door de toetsen Min **[5]** of Plus **[6]** lang ingedrukt te houden.
- ▶ Door kort indrukken van de toets Plus **[6]** schakelt u het cabinelicht op maximum (100).
- ▶ Door kort indrukken van de toets Min **[5]** schakelt u het cabinelicht uit (0).



Als de externe lichtschakelaar is ingeschakeld, brandt het cabinelicht altijd met vol vermogen. Als u het licht via het bedieningspaneel wilt dimmen, moet de externe lichtschakelaar in de positie UIT zijn.

### 9.13. Voorkeuzetijd instellen

De voorkeuzetijd kan in uren (1 - 24) worden ingesteld.

De besturing moet zich voor deze programmering in de stand-bymodus bevinden. Druk tegelijkertijd voor 3 seconden op de toetsen Aan/uit [4] en Plus [6].

- ▶ Het display [1] geeft de laatst ingestelde tijd knipperend weer.

Selecteer met de toetsen Min [5] en Plus [6] de gewenste voorkeuzetijd (uit, 1 - 24). Schakel met de toets Mode [7] in de gewenste bedrijfsmodus *FIN* of *FEU* en bevestig dit met de toets Aan/uit [4].

- ▶ Het display [1] toont de geselecteerde voorkeuzetijd.
- ▶ De controlelampjes Stand-by [8] en Timer [10] branden.

Na afloop van de tijd wordt de geselecteerde bedrijfsmodus gestart.



Bij een stroomuitval of bij handmatig inschakelen wordt de voorkeuzetijd gedeactiveerd.

### 9.14. ECO-modus

De ECO-modus maakt het u mogelijk na een pauze dezelfde cabinettemperatuur te herstellen. De volgende modi zijn beschikbaar:

- ECO20 voor een saunapauze van 20 minuten
- ECO40 voor een saunapauze van 40 minuten
- ECO60 voor een saunapauze van 60 minuten

De besturing moet zich hiervoor in de bedrijfsmodus *FEU* bevinden.

Druk op de toets Mode [7] tot het controlelampje Temperatuur [9] brandt.

- ▶ Het display [1] toont de geselecteerde temperatuur.
- ▶ De controlelampjes Stand-by [8] en Temperatuur [9] branden.

Druk tegelijkertijd voor 3 seconden op de toetsen Plus [6] en Min [5].

Selecteer met de toetsen Min [5] en Plus [6] de gewenste ECO-modus (uit, E20, E40, E60).

Bevestig uw instelling met de toets Mode [7]. De pauze wordt hiermee gestart.

## 9.15. Stand-by voor bediening op afstand activeren

Conform EN 60335-2-53 moeten saunabesturingen met startfunctie op afstand handmatig op de bedrijfsmodus „Stand-by voor bediening op afstand” worden gezet. Deze activering moet na elke start en stop op afstand opnieuw worden uitgevoerd. Voer hiervoor volgende stappen uit:

Controleer of zich de saunabesturing in stand-bymodus bevindt.

Druk gedurende ca. 3 seconden gelijktijdig op de aan-/uit-toets **[4]** en de modustoets **[7]**.

- ▶ In de weergave **[1]** knippert „rc” (remote control).
- ▶ De saunabesturing is nu klaar om via een signaal op afstand te worden gestart en gestopt.
- ▶ Na uitgevoerde start en stop op afstand gaan de weergave „rc” en het afstandsbediening-pictogram uit, en moet de activering van de bedrijfsmodus opnieuw worden uitgevoerd.



Voor het annuleren van de functie „Stand-by voor afstandsbediening” drukt u ca. 3 seconden op de aan-/uit-toets 4.

## 9.16. Starten op afstand - vrijgave

Door de vrijgave van starten op afstand wordt de functie van de uitgang voor starten op afstand geselecteerd (EN60335-2-53 in acht nemen). Aansluiting: zie „5.14. Starten op afstand aansluiten” op pagina 21

- Standaard is de vrijgave voor starten op afstand op UIT ingesteld. Het starten op afstand wordt middels de functie „Stand-by voor bediening op afstand” geactiveerd.
- Als u de starten op afstand-uitgang voor div. apparaten (bijv. muntautomaat, starten op afstand-systeem, deurbewaking) wilt vrijschakelen, als volgt te werk gaan:

De besturing moet zich voor deze programmering in de stand-bymodus bevinden.

Druk gelijktijdig gedurende 3 seconden op de toetsen aan/uit 4 en min 5.

Hierdoor komt u in het menu voor de verwarmingstijd.

Ga met de toets Modus **[7]** naar het taalmenu.

Ga met de toets Modus **[7]** naar de starten op afstand-vrijgave.

Maak hier een selectie met de toetsen min **[5]** / plus **[6]**.

Bevestig de instelling met de toets Mode **[7]**.

## 9.17. Extra bedieningspaneel activeren

Er kunnen maximaal vier bedieningspanelen worden aangesloten (zie „5.3. Bedieningspaneel aansluiten” op pagina 18).

Schakel de besturing in (controlelampje Stand-by **[8]** brandt).

Ontkoppel de datakabel van het extra bedieningspaneel. Houd de toetsen Min **[5]** en Plus **[6]** van het ontkoppelde bedieningspaneel ingedrukt en sluit ondertussen de datakabel weer aan.

- Op het display **[1]** knippert het laatst ingestelde busadres.

Selecteer met de toetsen Min **[5]** en Plus **[6]** het gewenste busadres (0 - 3). Bevestig de instelling met de toets Mode **[7]**.

Let op dat de besturing na deze wijziging voor 10 seconden moet worden uitgeschakeld om de instelling op te slaan.



Als u meerdere bedieningspanelen gebruikt, moet u aan elk bedieningspaneel een busadres toewijzen. Adres 0 is de standaardwaarde. Elk adres (0 - 3) kan slechts één keer worden gebruikt.

## 9.18. Akoestisch signaal instellen

Het akoestische signaal kan voor de volgende functies worden ingesteld:

De besturing moet zich hiervoor in de bedrijfsmodus *FIN* of *FEU* bevinden.

Druk op de toets Mode **[7]** tot het controlelampje Timer **[10]** brandt.

- Op het display **[1]** knippert de waarde van de ingestelde functie.

Selecteer met de toetsen Min **[5]** en Plus **[6]** de gewenste waarde. Bevestig de instelling met de toets Mode **[7]**.

Waarde	Functie	Functiebeschrijving
0	Zacht	Geen akoestisch signaal
1	Timer	Timer na afloop voor 1 seconde actief
2	Watertekort	Continusignaal bij watertekort
3	Timer + watertekort	Beide functies actief (=standaard)

## 9.19. Displayroulatie inschakelen

De displayroulatie zorgt ervoor dat op het display [1] afwisselend temperatuur en vochtigheid (optioneel) wordt weergegeven (interval 10 seconden).

De besturing moet zich hiervoor in de bedrijfsmodus *FIN* of *FEU* bevinden.

Druk op de toets Mode [7] tot het controlelampje Licht [2] brandt.

Druk tegelijkertijd voor 3 seconden op de toetsen Min [5] en Plus [6].

- ▶ Op het display [1] knippert AUS (=standaard).

Schakel met de toets Plus [6] naar EIN. Bevestig de instelling met de toets Mode [7].

- ▶ Het controlelampje Stand-by [8] brandt.

## 9.20. Nadroogprogramma instellen

De duur en de temperatuur van het nadroogprogramma kunnen worden ingesteld.

De besturing moet zich hiervoor in de bedrijfsmodus *FEU* bevinden.

Druk op de toets Mode [7] tot het controlelampje Vochtigheid [3] brandt.

Druk tegelijkertijd voor 3 seconden op de toetsen Plus [6] en Min [5].

- ▶ Op het display [1] knippert 0 (=standaard).

De weergegeven temperatuurwaarde kan nu eventueel worden gecorrigeerd met de toetsen Plus en Min (-9 tot +9).

Druk op de toets Mode [7].

- ▶ De controlelampjes Stand-by [8], Timer [10] en Vochtigheid [3] branden.
- ▶ Op het display [1] knippert de ingestelde nadroogtijd voor verwarming en ventilator (0 - 120 min; 15 min = standaard).

Selecteer met de toetsen Min [5] en Plus [6] de gewenste waarde.

Druk op de toets Mode [7].

- ▶ De controlelampjes Stand-by [8] en Timer [10] branden.
- ▶ Op het display [1] knippert de ingestelde tijd voor nadrogen zonder verwarming, maar met ventilator (0 - 30 min; 15 min = standaard).

Selecteer met de toetsen Min [5] en Plus [6] de gewenste waarde.

Druk op de toets Mode [7].

- ▶ De controlelampjes Stand-by [8] en Temperatuur [9] branden.
- ▶ Op het display [1] knippert de ingestelde temperatuur voor het nadrogen (70 - 90 °C; 80 °C = standaard).

Selecteer met de toetsen Min [5] en Plus [6] de gewenste waarde.

Bevestig de instelling met de toets AAN/UIT [4].

## 9.21. Saunabesturing uitschakelen

Wanneer u de saunabesturing langere tijd niet gebruikt, schakelt u de saunabesturing uit met de hoofdschakelaar [11].

# 10. Reiniging en onderhoud

## 10.1. Reiniging

### LET OP!

#### **Schade aan het apparaat**

De saunabesturing is spatwaterdicht. Toch kan rechtstreeks contact met water het apparaat beschadigen.

- Dompel het apparaat NOOIT onder in water.
- Giet geen water over het apparaat.
- Reinig het apparaat niet te nat.

1. Drenk een reinigingsdoek in een zachte zeepoplossing.
2. Wring de reinigingsdoek goed uit.
3. Wis de behuizing van de saunabesturing voorzichtig schoon.

## 10.2. Onderhoud

De saunabesturing heeft geen onderhoud.

# 11. Afvoer



- Voer het verpakkingsmateriaal af volgens de geldende afvoer-richtlijnen.
- Oude apparaten bevatten opnieuw bruikbare materialen maar ook schadelijke stoffen. Deponeer uw oude apparaat daarom in geen geval bij het gewone afval, maar voer het apparaat af volgens de plaatselijk geldende voorschriften.

## 12. Probleemoplossing

### 12.1. Foutmeldingen

De saunabesturing is uitgerust met diagnosesoftware die de systeemtoestanden controleert bij inschakeling en tijdens het bedrijf. Zodra de diagnosesoftware een fout vaststelt, schakelt de saunabesturing de saunakachel uit.

De symbolen knipperen en op het display **1** wordt een foutcode weergegeven. Schakel de saunabesturing uit met de hoofdschakelaar en verhelp de fout voordat u de saunabesturing weer inschakelt.

De volgende tabel beschrijft de mogelijke fouten en de oorzaak ervan. Indien nodig deelt u het foutnummer mee aan uw klantenservice.

Fout nr.	Beschrijving	Verhelpen/oorzaak
-5	Geen bedieningspaneel aangesloten.	Geen bedieningspaneel aangesloten of slecht contact.
-10	Geen bedieningspaneel meer aangesloten, nadat er bij het starten minstens een werd herkend.	Contact met bedieningspaneel controleren.
-21	Kachel-temperatuurvoeler gebroken.	Defecte temperatuurvoeler of slecht contact.
-22	Kachel-temperatuurvoeler kortsluiting.	Defecte temperatuurvoeler of kortsluiting.
-24	Bank-temperatuurvoeler gebroken.	Defecte temperatuurvoeler of slecht contact.
-25	Bank-temperatuurvoeler kortsluiting.	Defecte temperatuurvoeler of kortsluiting.
-26	Vochtigheidsvoeler gebroken.	Defecte vochtigheidsvoeler of slecht/verkeerd aangesloten.
-27	Vochtigheidsvoeler kortsluiting.	Defecte vochtigheidsvoeler of slecht/verkeerd aangesloten of kortsluiting.
-30	Thermobeveiliging defect.	Defecte kachelvoeler, slecht contact, of thermobeveiliging niet aangesloten.

## 12.2. Zekeringen

In het aansluitbereik van de basismodule bevinden zich zekeringen voor elektronica en licht. Deze kunnen worden besteld onder het artikelnummer 1-30-174 (10 stuks).

Op de uitbreidingsplaat bevindt zich een zekering voor de ventilator.

## 12.3. Temperatuurcorrectie

Het is mogelijk de weergegeven temperatuurwaarde te corrigeren. Dit is mogelijk in het bereik  $-9\text{ }^{\circ}\text{C}$  tot  $+9\text{ }^{\circ}\text{C}$ .

De besturing moet zich hiervoor in de bedrijfsmodus *FIN* bevinden.

Druk op de toets Mode [7] tot het controlelampje Temperatuur [9] brandt.

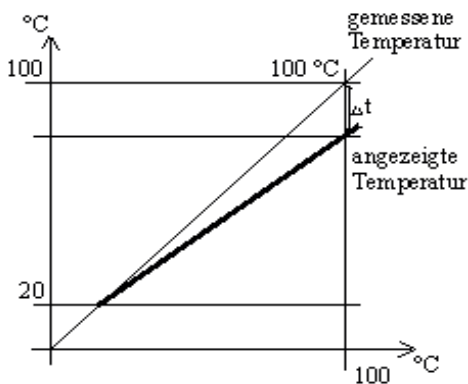
Druk tegelijkertijd voor 3 seconden op de toetsen Plus [6] en Min [5].

- ▶ Op het display [1] knippert AUS.

Druk tegelijkertijd voor 3 seconden op de toetsen Aan/uit [4] en Mode [7].

- ▶ Op het display [1] knippert 0 (=standaard).

De weergegeven temperatuurwaarde kan nu worden gecorrigeerd met de toetsen Plus [6] en Min [5] ( $\Delta t$ :  $-9$  tot  $+9\text{ }^{\circ}\text{C}$ ).



Afb. 7: Temperatuurcorrectie



## 13. Technische gegevens

### Omgevingsomstandigheden

Opslagtemperatuur:	-25 °C tot +70 °C
Luchtvochtigheid:	max. 95% niet-condenserend

### Voedingseenheid

Afmetingen (b x h x d):	320 x 220 x 110 mm
Omgevingstemperatuur:	0 °C tot +50 °C
Schakelspanning / driefasig 3N:	400 V AC
Frequentie:	50 Hz
Schakelvermogen / verwarmingsapparaat:	3 x 3,7 kW
Schakelstroom per fase / verwarmingsapparaat:	16 A
Schakelvermogen/verdamper (optioneel):	3 kW
Schakelstroom/verdamper (optioneel):	16 A
IP-code:	IP65
Zekering:	1 A T
Aansluiting op het voedingsnet als vaste bekabeling (vaste aansluiting)	

### Bedieningspaneel

Aansluitkabel:	RJ10 - 4-polig
Afmetingen (b x h x d):	92 x 120 x 44,5 mm
Omgevingstemperatuur:	0 °C tot +100 °C
Montage-uitsparing (Ø x d):	Ø 70 x 35 mm
IP-code:	IP54

NL

### Licht

Schakelvermogen:	100 W
Zekering:	1 A T

### Ventilator

Schakelvermogen:	100 W
Zekering:	4 A T



---

**Instelbereiken**

---

Temperatuur:	30 °C tot 110 °C
Vochtigheid:	30 % tot 99 %

Daarbij is de maximaal instelbare vochtigheid afhankelijk van de saunatemperatuur. Hoe hoger de saunatemperatuur, hoe lager de maximaal instelbare vochtigheidswaarde.

---

**Thermische veiligheid**

---

Kachelvoeler met oververhittingsbeveiliging (139 °C uitschakeltemperatuur)  
Automatische verwarmingstijdbegrenzing instelbaar (1 tot 12 uur)\*  
Naar keuze eenvoelermodus of tweevoelermodus

---

**Aansluitkabels**

---

Voelerkabels (temperatuurbestendig tot 150 °C):	0,5 mm <sup>2</sup>
Lichtkabel:	1,5 mm <sup>2</sup>
Ventilatorkabel:	1,5 mm <sup>2</sup>

\* EN 60335-2-53 schrijft voor privésauna's een begrenzing van de verwarmingstijd van 6 u voor. Voor sauna's in hotels, woonblokken en dergelijke is een verwarmingstijdbegrenzing van maximaal 12 u toegestaan.

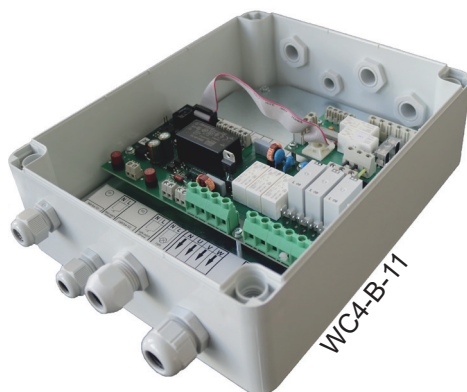
# Bastustyrenhet

# wave.com4 11 kW

MONTERINGS- OCH BRUKSANVISNING  
Svenska



WC4-B-D/W/S



WC4-B-11

SV

wave.com 4 basmodul 11 kW

1-049-633 / WC4-B-11

wave.com 4 manöverenhet mörkt trä

1-008-128 / WC4-B-D

wave.com 4 manöverenhet svart

1-010-433 / WC4-B-S

wave.com 4 manöverenhet vit

1-010-433 / WC4-B-W

# Innehållsförteckning

<b>1. Om monterings- och bruksanvisningen</b>	<b>5</b>
<b>2. Viktig säkerhetsinformation</b>	<b>6</b>
2.1. Ändamålsenlig användning	6
2.2. Säkerhetsanvisningar för installatören	7
2.3. Säkerhetsanvisningar för användaren	8
<b>3. Produktbeskrivning</b>	<b>9</b>
3.1. Leveransomfattning	9
3.2. Ingår inte i leveransen	9
3.3. Tillbehör	9
3.4. Funktioner	10
3.5. Driftsätt	11
3.6. Driftsätt givare	11
<b>4. Montering</b>	<b>13</b>
4.1. Montering av effektenhet	13
4.2. Montera huvudbrytare	13
4.3. Montera bastubelysning/belysningsknapp	13
4.4. Montera tillvalskretskort (tillval)	14
4.5. Montera manöverpanelen	14
4.6. Montera aggregatgivare F1 med övertemperaturskydd	15
4.8. Bänkgivare F2 (tillval)	16
4.9. Montera fuktgivare WC4-H-H (tillval)	16
4.7. Montera fukttemperaturgivare FTS2 (tillval)	16
<b>5. Elanslutning</b>	<b>17</b>
5.1. Ansluta försörjningsledning och aggregat	18
5.2. Ansluta förångare (tillval)	18
5.3. Ansluta manöverenhet	18

5.4.	Ansluta extern huvudbrytare.....	19
5.5.	Ansluta belysning.....	19
5.6.	Ansluta extern belysningsknapp.....	19
5.7.	Ansluta fläkt (tillval).....	19
5.8.	Ansluta aggregatgivare F1.....	20
5.9.	Ansluta fukttemperaturgivare FTS2 (tillval).....	20
5.10.	Ansluta bänkgivare F2 (tillval).....	20
5.11.	Ansluta fuktgivare WC4-H-H (tillval).....	21
5.12.	Ansluta dummygivare (tillval).....	21
5.13.	Ansluta effektförstärkning (tillval).....	21
5.14.	Ansluta fjärrstart .....	21
5.15.	Ansluta installationen.....	22
<b>6.</b>	<b>Genomföra kontroller.....</b>	<b>22</b>
<b>7.</b>	<b>Kopplingsschema.....</b>	<b>23</b>
7.1.	Kopplingsschema basmodul.....	23
7.2.	Anslutningsschema tillvalskretskort (tillval).....	24
<b>8.</b>	<b>Reglage och indikatorer.....</b>	<b>25</b>
<b>9.</b>	<b>Användning.....</b>	<b>26</b>
9.1.	Påslagning.....	26
9.2.	Ställa in uppvärmningstid.....	26
9.3.	Ställa in språk.....	26
9.4.	Slå på belysning (rengöringsbelysning).....	27
9.5.	Välja driftsätt.....	27
9.6.	Starta bastudrift <b>FIN</b> .....	<b>27</b>
9.7.	Slå av bastudrift <b>FIN</b> .....	<b>28</b>
9.8.	Starta kombidrift <b>FEU</b> .....	<b>28</b>
9.9.	Slå av kombidrift <b>FEU</b> .....	<b>28</b>
9.10.	Avbryta eftertorkningsprogram.....	29

9.11. Ställa in timer.....	29
9.12. Dimma belysning.....	29
9.13. Ställa in timer.....	30
9.14. EKO-läge.....	30
9.15. Aktivera standby för fjärrstyrning.....	31
9.16. Fjärrstart-frigivning.....	31
9.17. Aktivera extra manöverenhet.....	32
9.18. Ställa in ljudsignal.....	32
9.19. Slå på displayväxling.....	33
9.20. Ställa in eftertorkningsprogram.....	33
9.21. Stänga av styrenheten.....	34
<b>10. Rengöring och underhåll.....</b>	<b>34</b>
10.1. Rengöring.....	34
10.2. Underhåll.....	34
<b>11. Avfallshantering.....</b>	<b>34</b>
<b>12. Problemlösning.....</b>	<b>35</b>
12.1. Felmeddelanden.....	35
12.2. Säkringar.....	36
12.3. Temperaturkorrigering.....	36
<b>13. Tekniska data.....</b>	<b>37</b>

# 1. Om monterings- och bruksanvisningen

Läs hela monterings- och bruksanvisningen noga och förvara den sedan i närheten av bastustyrenheten. Du kan då när som helst läsa de specifika säkerhets- och användningsanvisningarna.



Den här monterings- och bruksanvisningen kan även laddas ner från vår webbsida, [www.sentiotec.com/downloads](http://www.sentiotec.com/downloads).

## **Symboler och varningar**

I den här monterings- och bruksanvisningen används olika varningssymboler vid avsnitt som beskriver situationer som kan medföra fara eller risker av olika slag. Dessa varningar ska alltid beaktas. På så sätt undviker man saksador och personskador, som i värsta fall kan ha dödlig utgång.

Följande signalord används:



### **FARA!**

Om de här varningarna/anvisningarna inte följs leder det till allvarliga eller livsfarliga skador.



### **VARNING!**

Om de här varningarna/anvisningarna inte följs kan det leda till allvarliga eller livsfarliga skador.



### **FÖRSIKTIGHET!**

Om de här varningarna/anvisningarna inte följs kan det leda till lindriga skador.

### **VARNING!**

Varnar för saksador.

## **Övriga symboler**



Används vid tips och nyttig information.

## 2. Viktig säkerhetsinformation

Styrenheten wave.com4 11 kW har konstruerats och tillverkats enligt vedertagna säkerhetstekniska regler. Det kan ända uppstå vissa risker under användningen. Följ alltid nedanstående säkerhetsanvisningar och observera de särskilda varningarna i monterings- och bruksanvisningen. Observera även säkerhetsanvisningarna till anslutna apparater.

### 2.1. Ändamålsenlig användning

Styrenheten wave.com4 11 kW ska endast användas för att styra och reglera funktionerna enligt tekniska data.

Styrenheten får endast användas för att styra och reglera 3 värmekretsar med en värmeeffekt på max. 3,7 kW per värmekrets.

Vid användning av tillvalskretskortet för wave.com4 (WC4-H-PCB) är max. förångareffekt 3,0 kW.

Enligt EN 60335-2-53 får bastustyrenheter med fjärrstyrning endast användas för bastuaggregat som har genomgått och klarat ett övertäckningstest enligt avsnitt 19.101. Alternativt måste en lämplig säkerhetsåtgärd (t.ex.: säkerhetsavstängning, dörrkontakt...) installeras.

All annan användning betraktas som ej ändamålsenlig. Ej ändamålsenlig användning kan leda till skador på produkten och innebära risk för allvarliga eller livsfarliga skador. Garantin förfaller vid icke ändamålsenlig användning.



## 2.2. Säkerhetsanvisningar för installatören

- Elanslutningarna får endast utföras av utbildad elektriker. Observera att vid garantianspråk ska en kopia på fakturan från den elektriker som har utfört arbetet bifogas.
- Arbeten på bastustyrenheten får endast genomföras i spänningslöst tillstånd.
- På plats ska en allpolig frånskiljare med komplett avstängning enligt överspänningskategori III installeras.
- Tekniska data ska beaktas när effektenheten till wave.com4 11 kW (WC4-B-11) monteras.
- Manöverenheten kan monteras inne i eller utanför bastun. Dock måste anvisningarna i den medföljande monterings- och bruksanvisningen följas
- Följ gällande lokala bestämmelser.
- Om det uppstår problem som inte beskrivs tillräckligt detaljerat i monteringsanvisningarna, vänd dig, för din egen säkerhets skull, till leverantören/återförsäljaren.

### 2.3. Säkerhetsanvisningar för användaren

- Barn under 8 år får inte använda bastustyrenheten.
- Under följande förutsättningar får bastustyrenheten användas av barn över 8 år, av personer med nedsatt psykisk, sensorisk eller mental förmåga och av personer som saknar erfarenhet och kunskap med/om liknande utrustningar:
  - under uppsikt.
  - när de har instruerats om säker användning och känner till vilka risker som kan uppstå.
- Barn får inte leka med bastustyrenheten.
- Barn under 14 år får endast rengöra bastustyrenheten under uppsikt.
- Av hälsoskäl bör man inte bada bastu när man är påverkad av alkohol, läkemedel eller droger.
- Kontrollera att det inte finns några brännbara föremål på bastuaggregatet innan styrenheten slås på.
- Kontrollera att det inte finns några brännbara föremål på bastuaggregatet innan du aktiverar timerfunktionen eller standby-läget för fjärrstyrning.
- Om det uppstår problem som inte beskrivs tillräckligt detaljerat i bruksanvisningen, vänd dig, för din egen säkerhets skull, till leverantören/återförsäljaren.

## 3. Produktbeskrivning

Bastustyrenheten wave.com4 11 kW består av två delar. För att bastustyrenheten ska fungera krävs alltid en effektenhet basmodul (WC4-B-11), en manöverenhet (WC4-B-S, WC4-B-D eller WC4-B-W) och en aggregatgivare (WC4-B-F1D eller WC4-B-F1H).

### 3.1. Leveransomfattning

- Effektenhet (1-049-633 / WC4-B-11)
- Montage- und Bedienungsanleitung

### 3.2. Ingår inte i leveransen

- Huvudbrytare (vanlig brytare 230 V)
- Belysningsknapp (vanlig brytare 230 V)
- Manöverenhet mörkt trä (1-008-128 / WC4-B-D) eller manöverenhet svart (1-010-389 / WC4-B-S) eller manöverenhet vit (1-010-437 / WC4-B-W)
- Aggregatgivare ljus trä (1-013-651 / WC4-B-F1H), givarledningar 5 m eller aggregatgivare mörkt trä (1-003-479 / WC4-B-F1D), givarledningar 5 m

### 3.3. Tillbehör

- Tillvalskretskort för fukt, bänkgivare (1-003-472 / WC4-H-PCB)
- Bänkgivare WC4 mörkt trä (1-003-295 / WC4-H-F2D), givarledningar 5 m
- Bänkgivare WC4 ljus trä (1-013-662 / WC4-H-F2H), givarledningar 5 m
- Fuktgivare mörkt trä (1-003-364 / WC4-H-HD), givarledningar 5 m
- Fuktgivare ljus trä (1-013-669 / WC4-H-HH), givarledningar 5 m
- Fukttemperaturgivare (1-010-081 / O-FTS2), givarledningar 6 m
- Givarhus för FTS2 mörkt trä (1-041-521 / SC-FTS2-D)
- Givarhus för FTS2 ljus trä (1-041-520 / SC-FTS2-D)
- Y-adapter RJ10 4-polig (1-028-167 / WC4-C-ADY)
- Effektförstärkning (1-008-779/O-S2-18, 1-009-280/O-S2-30)
- Säkerhetsavstängning (SFE-xxxxx)
- Fjärrstartsystem (1-051-003 / FS-SY)
- Dörrsensordsystem (1-052-722 / SAB00102)

### 3.4. Funktioner

Bastustyrenheten wave.com4 11 kW har följande funktioner:

- Reglering av bastuaggregat med en värmeeffekt på upp till 11 kW
- Med tillvalskretskortet reglering av kombiaggregat med en värmeeffekt på upp till 11 kW och en förångareffekt på upp till 3 kW.
- Med en effektförstärkning kan den maximala bryteffekten på 11 kW ökas.
- Anslutningsmöjlighet för extern huvudbrytare
- Anslutningsmöjlighet för extern belysningsknapp
- Till-/bortkoppling och dimning av bastubelysning (glödlampa upp till 100 W)
- Till-/bortkoppling av en fläkt (upp till 100 W)
- Automatisk värme-tidsbegränsning  
Bastustyrenheten stängs av automatiskt av säkerhetsskäl när max. uppvärmningstid har löpt ut (1 till 12 timmar)
- Timer (1 till 24 timmar)
- Akustisk signal för tidsintervall (t.ex.: hållsignal)
- Eftertorkningsprogram  
Efter kombidriften startar eftertorkningsprogrammet automatiskt, för att förhindra att mögel och röta bildas i bastukabinen. (3 inställningsmöjligheter).
- Fjärrstartfunktion
- Eko-läge  
Eko-läget gör att bastutemperaturen kan vara densamma efter en paus (20, 40, 60 minuter) som den var före.
- Övertemperaturskydd  
Övertemperatursäkringen sitter i huset på aggregatgivaren. Om bastuaggregatet fortsätter att värma efter att inställd temperatur har nåtts, stänger övertemperaturskyddet av bastuaggregatet automatiskt vid cirka 139 °C.

### 3.5. Driftsätt

#### **Bastudrift**

I bastudrift skapas det torr värme. Temperaturen i bastun är hög (80 till 100 °C). Fukthalten är låg, max. 10 %.

#### **Kombidrift (tillval - med tillvalskretskort)**

I kombidrift är både bastuaggregatet och förångaren i drift. Temperaturen i bastun är lägre (ca 40 till 65 °C) än i bastudrift, men den relativa luftfuktigheten är betydligt högre, från 35 % till 70 %. Max. inställningsbar fuktighet beror på bastutemperaturen. Ju högre bastutemperatur, desto lägre max. inställbart fuktvärde (se bild 1)

### 3.6. Driftsätt givare

Bastustyrenheten wave.com4 11 kW kan användas med en, två eller tre givare.

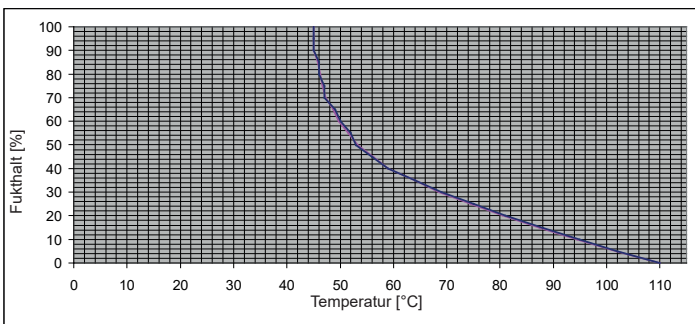
#### **Drift med en givare (F1)**

Drift med en givare är aktiverad från fabrik.

Vid drift med en givare drivs bastustyrenheten endast med aggregatgivaren med övertemperaturskydd.

Styrenheten visar som standard är-temperatur. Börtemperaturen visas under inställningen.

Vid drift med en givare riktar sig max inställbart fuktvärde (tillval - med tillvalskretskort) efter temperaturen ovanför aggregatet och fuktigheten justeras efter temperaturen. På bastustyrenhetens display visas bara börvärdet för fuktighet (i % relativ fuktighet). Den faktiska fuktigheten i bastun beror på bastuns storlek och förångarens effekt och kan avvika från inställt börvärde.



**Bild 1: Diagram över fukt/temperatur**

***Drift med två givare med fukttemperaturgivare (FTS2)  
(tillval - med tillvalskretskort)***

Vid drift med två givare med fukttemperaturgivare visar bastustyrenheten som ärtemperatur den temperatur som fukttemperaturgivaren mäter.

Vid drift med två givare med fukttemperaturgivare regleras förångaren efter uppmätt fuktighet i bastun. På bastustyrenhetens display visas bara börvärdet för fuktighet i bastun (i % relativ fuktighet).

***Drift med två givare med bänkgivare (F2)  
(tillval - med tillvalskretskort)***

Vid drift med två givare monteras en andra temperaturgivare (bänkgivare) ovanför den bakre bastubänken. Bastustyrenheten visar temperaturen från bänkgivaren som faktisk temperatur.

Vid drift med två givare med bänkgivare är fuktigheten justerad. På bastustyrenhetens display visas bara börvärdet för fuktighet (i % relativ fuktighet). Den faktiska fuktigheten i bastun beror på bastuns storlek och förångarens effekt och kan avvika från inställt börvärde.

***Drift med två givare med fuktgivare (WC4-H-H)  
(tillval - med tillvalskretskort)***

Vid drift med två givare med fuktgivare visar bastustyrenheten som ärtemperatur den temperatur som aggregatgivaren mäter. Förångaren regleras efter uppmätt fuktighet i bastun. På bastustyrenhetens display visas bara börvärdet för fuktighet i bastun (i % relativ fuktighet).

***Drift med tre givare med bänkgivare (F2) och fuktgivare (WC4-H-Hx)  
(tillval - med tillvalskretskort)***

Vid drift med tre givare med bänkgivare och fuktgivare visar bastustyrenheten som ärtemperatur den temperatur som bänkgivaren mäter.

Vid drift med tre givare regleras förångaren efter uppmätt fuktighet i bastun. På bastustyrenhetens display visas bara börvärdet för fuktighet i bastun (i % relativ fuktighet).

## 4. Montering

Beakta vid monteringen Tekniska data på sidan Sida 37:

---

### OBS!

#### **Störningskällor kan påverka signalöverföringen**

- Dra alla givarledningarna separat från andra nätledningar och styrledningar.
- Skydda enkelisolerade kablar med ett rör (dubbel isolering).



Alla givare får endast anslutas med de bifogade givarledningarna, som är temperaturbeständiga upp till 150 °C.

- Aggregatgivarledningarna får INTE vara längre än 10 m.
  - Givarledningarna får inte förlängas med icke temperaturbeständiga ledningar utanför bastun.
- 

### 4.1. Montering av effektenhet

Beakta bild 2 på Sida 14.

---

### WARNING!

#### **Skador på produkten**

Bastustyrenheten är skyddad mot stänkvatten, men apparaten kan skadas vid direkt kontakt med vatten.

- Montera bastustyrenheten på ett ställe där max. luftfuktighet aldrig överskrider 95 % - inget våtutrymme.
  - Kabelhålen får inte peka uppåt vid montering i bastun!
- 

Genomför följande steg för att montera effektenheten 1:

1. Avlägsna locket på effektenheten.
2. Du kan fästa effektenheten på underlaget vid chassits 4 hörn (se pilar Bild 4 på sidan 17)

SV

### 4.2. Montera huvudbrytare

Beakta bruksanvisningen till brytaren.

### 4.3. Montera bastubelysning/belysningsknapp

Beakta bruksanvisningen till brytaren.

#### 4.4. Montera tillvalskretskort (tillval)

1. Anslut tillvalskretskortet genom att sätta fast de förmonterade ledningarna (L-N-PE) och flatkabeln på baskretskortet.
2. Fixera tillvalskretskortet med de medföljande skruvarna.

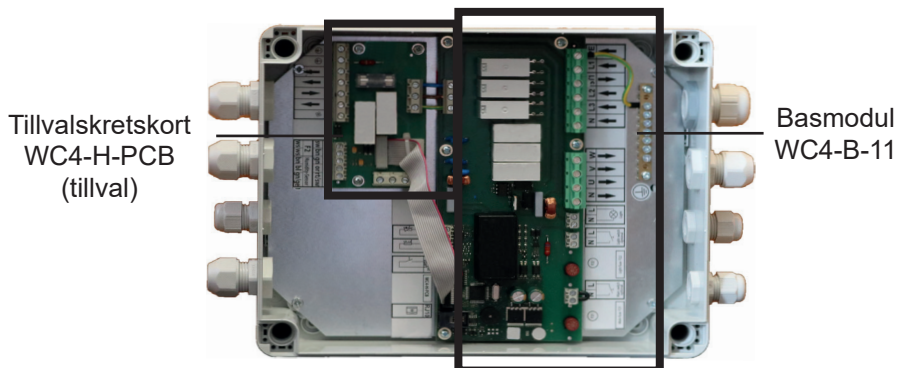


Bild 2: Wave.com4 11 kW effektenhet

#### 4.5. Montera manöverpanelen

Manöverenheten **2** monteras på bastuväggen, på ett avstånd av max. 10 meter till effektenheten **1**. Beakta ledningsdragningen för datakabeln.

##### **OBS!**

##### **Skador på produkten**

- Bastustyrenhetens manöverenhet **2** är skyddad mot stänkvatten (kapslingsklass IPX4).
  - Montering får endast göras med en skruvmejsel. Om en batteridrivna skruvdragare används, föreligger risk för skador som inte går att reparera!
  - Vid montering inuti bastum måste det vara ett avstånd på minst 30 cm till bastuns tak.
1. Skär ut urtaget för manöverenheten med exempelvis en hålsåg  $\varnothing 70 \times 35$  mm.
  2. Anslut den 4-poliga kontakten med manöverenhetens RJ10-uttag.
  3. Skruva fast höljet i bastuväggen genom hålet med de 4 medföljande träskruvarna.



## 4.6. Montera aggregatgivare F1 med övertemperaturskydd

Observera följande punkter vid montering av aggregatgivaren:

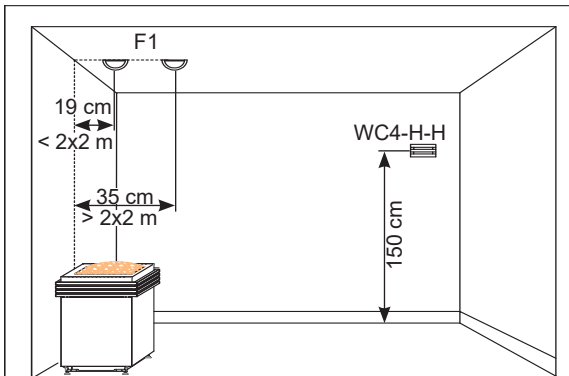
- Aggregatgivaren ska monteras i bastutaket ovanför mitten av aggregatet. I basturum på upp till 2 x 2 m ska avståndet till bastuväggen vara minst 19 cm, i större basturum minst 35 cm.
- Aggregatgivaren ska monteras så att den inte påverkas av inströmmande luft.



Se till att ingen ledning skadas när givarledningarna dras in!

Genomför följande steg för att montera aggregatgivaren (se **Bild 3**):

1. Borra igenom bastutaket med ett 8 mm borrh.
2. Dra de båda 2-poliga aggregatgivarledningarna genom hålet.
3. Fixera givarhöljet med de medföljande träskruvarna.
4. Dra de båda 2-poliga aggregatgivarledningarna till effektenheten och fixera ledningarna med kabelklämmor.
5. Kontrollera att aggregatgivaren sitter fast ordentligt.



**Bild 3: Montering givare**

#### 4.7. Montera fukttemperaturgivare FTS2 (tillval)

Fukttemperaturgivaren ska monteras på bastuväggen ovanför den bakre bastubänken. Den måste sitta minst 15 cm från bastuns tak. Följ givarens monteringsanvisning.



För fukttemperaturgivaren finns som tillval ett trähölje.

#### 4.8. Bänkgivare F2 (tillval)

Bänkgivaren ska monteras på bastuväggen ovanför den bakre bastubänken. Den måste sitta minst 15 cm från bastuns tak.

Genomför följande steg för att montera bänkgivaren:

1. Borra igenom bastuväggen med ett 8 mm borr.
2. Dra den 2-poliga bänkgivarledningen genom hålet.
3. Fixera givarhöljet med de medföljande träskruvarna.
4. Dra den 2-poliga bänkgivarledningen till effektenheten och fixera ledningen med kabelklämmor.
5. Kontrollera att bänkgivaren sitter fast ordentligt.

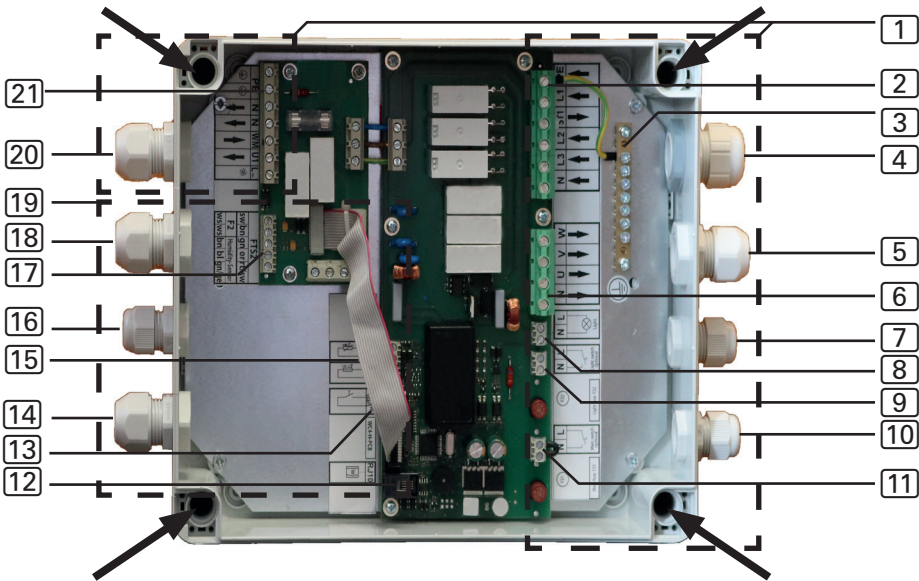
#### 4.9. Montera fuktgivare WC4-H-H (tillval)

Fuktgivaren ska monteras i mitten på den sidovägg som befinner sig längst bort från ugnen, på ca 150 cm höjd (Bild 3 på sidan 15).

Genomför följande steg för att montera fuktgivaren:

1. Borra igenom bastuväggen med ett 8 mm borr.
2. Dra den 3-poliga fuktgivarledningen genom hålet.
3. Fixera givarhöljet med de medföljande träskruvarna.
4. Dra den 3-poliga fuktgivarledningen till effektenheten och fixera ledningen med kabelklämmor.
5. Kontrollera att fuktgivaren sitter fast ordentligt.

## 5. Elanslutning



**Bild 4: Elanslutning**

- |    |   |    |  |
|----|---|----|--|
| 1  | Anslutningsområden för 230 V/400 V            | 12 | RJ10 uttag för datakabel till manöverenhet               |
| 2  | Kopplingsplint för försörjningsledning        | 13 | Kopplingsplint för fjärrstart                            |
| 3  | Jordskena                                     | 14 | Kabelhål för RJ10 datakabel, F1/F2-givare och fjärrstart |
| 4  | Kabelhål för försörjningsledning              | 15 | Kopplingsplint för F1-givare                             |
| 5  | Kabelhål för aggregatledning                  | 16 | Kabelhål för WC4-H-H / FTS2-givare                       |
| 6  | Kopplingsplint för aggregatledning            | 17 | Kopplingsplint för F2 / WC4-H-H / FTS2-givare            |
| 7  | Kabelhål för belysning och effektförstärkning | 18 | Kabelhål för fläkt                                       |
| 8  | Kopplingsplint för belysning                  | 19 | Anslutningsområde för lågspänning                        |
| 9  | Kopplingsplint för belysningsknapp            | 20 | Kabelhål för förångarledning                             |
| 10 | Kabelhål för belysningsknapp och huvudbrytare | 21 | Kopplingsplint för förångarledning och fläkt             |
| 11 | Kopplingsplint för huvudbrytare               |    |  |



---

Beakta ”5. Elanslutning” på sidan 17 och ”7.1. Kopplingschema basmodul” på sidan 23 och ”7.2. Anslutningsschema tillvalskretskort (tillval)” på sidan 24.

---

### 5.1. Ansluta försörjningsledning och aggregat

1. Dra försörjnings- och aggregatledningen genom kabelhålen **4** och **5** till anslutningsområdet för 230 V/400 V **1**.
2. Anslut anslutningsledningarna till kopplingsplintarna **2**, **6**. Observera bruksanvisningen till respektive apparat.

### 5.2. Ansluta förångare (tillval)

1. Dra förångarledningen (som tillval med tillvalskretskort) genom kabelhålet **20** till anslutningsområdet för 230 V/400 V **1**.
2. Anslut anslutningsledningarna till kopplingsplintarna **21**. Beakta bruksanvisningen till förångaren.



---

Om inte förångaren har en automatisk indikering för vattenbrist, anslut med en kabelbrygga klämman ”U1” till klämman ”WM” eller ändra ljudsignalens inställning (se Sida 32)

---

### 5.3. Ansluta manöverenhet

1. Dra manöverenhetens anslutningskabel genom kabelhålet **14** till anslutningsområdet för lågspänning **19**.
2. Sätt i RJ-10-kabelns kontakt i anslutningen **12**.



---

Bastystyrenheterna wave.com4 11 kW gör det möjligt att använda upp till 4 manöverenheter på en effektenhet. Använd Y-adaptorn vid anslutningen av tillvalsmanöverenheterna (se ”3.3. Tillbehör” på sidan 9).

---

## 5.4. Ansluta extern huvudbrytare

Huvudbrytaren ingår inte i leveransen.

1. Dra huvudbrytarens anslutningskabel genom kabelhålet **10** till anslutningsområdet för 230 V/400 V **1**.
2. Anslut ledningen på kopplingsplinten **11**. Beakta bruksanvisningen till brytaren.



Vid leverans är kontakterna bryggade. Ta bort kabelbryggan inför monteringen

## 5.5. Ansluta belysning

1. Dra belysningsledningen genom hålet **7** till anslutningsområdet för 230 V/400 V **1**.
2. Anslut belysningsledningen på kopplingsplinten **8**. Beakta bruksanvisningen till brytaren.

## 5.6. Ansluta extern belysningsknapp

Belysningsknappen ingår inte i leveransen.

3. Dra belysningsknappens anslutningskabel genom kabelhålet **10** till anslutningsområdet för 230 V/400 V **1**.
4. Anslut ledningen på kopplingsplinten **9**. Beakta bruksanvisningen till brytaren.

## 5.7. Ansluta fläkt (tillval)

1. Dra fläktledningen genom hålet **18** till anslutningsområdet för 230 V/400 V **1**.
2. Anslut fläktledningen på kopplingsplinten **21**. Beakta bruksanvisningen till fläkten.

## 5.8. Ansluta aggregatgivare F1

1. Dra aggregatgivarledningarna genom kabelhålet **[14]** till anslutningsområdet för lågspänning **[19]**.
2. Anslut de röda aggregatgivarledningarna (STB) till anslutningarna med texten "**R-R**" på kopplingsplinten **[15]**.
3. Anslut de vita aggregatgivarledningarna (F1) till klämmorna med texten "**W-W**" på kopplingsplinten **[15]**.



Läget för klockad ångbastu vid drift med en givare kräver att en dummygivare monteras (se 5.12 på sidan 21).

## 5.9. Ansluta fukttemperaturgivare FTS2 (tillval)

1. Dra givarkablarna genom kabelhålet **[16]** till anslutningsområdet för lågspänning **[19]**.
2. Anslut temperaturgivarledningarna till klämmorna med texten "**FTS2: sw-br**" på kopplingsplinten **[17]**.
  - a. Anslut den svarta ledningen till klämman "**sw**".
  - b. Anslut den bruna ledningen till klämman "**br**".
3. Anslut fuktgivarledningarna till klämmorna med texten "**FTS2: gn-or-rt**" på kopplingsplinten **[17]**.
  - c. Anslut den gröna ledningen till klämman "**gn**".
  - d. Anslut den orange ledningen till klämman "**or**".
  - e. Anslut den röda ledningen till klämman "**rt**".

## 5.10. Ansluta bänkgivare F2 (tillval)

1. Dra aggregatgivarledningarna genom kabelhålet **[14]** till anslutningsområdet för lågspänning **[19]**.
2. Anslut bänkgivarledningarna till klämmorna med texten "**F2: ws-ws**" på kopplingsplinten **[17]**.



Läget för klockad ångbastu vid drift med två givare (F1 och F2) kräver att en dummygivare monteras (se 5.12 på sidan 21).

### 5.11. Ansluta fuktgivare WC4-H-H (tillval)

1. Dra givarkablarna genom kabelhålet **[16]** till anslutningsområdet för lågspänning **[19]**.
2. Anslut fuktgivarledningarna till klämmorna med texten "**WC4-H-H: br-bl-gn/ge**" på kopplingsplinten **[17]**.
  - a. Anslut den bruna ledningen till klämman "**br**".
  - b. Anslut den blå ledningen till klämman "**bl**".
  - c. Anslut den gula/gröna ledningen till klämman "**gn/ge**".
3. Ta bort FTS2-bygglingen (se "7.1. Kopplingsschema basmodul" på sidan 23)



Läget för ångbastu med fuktgivaren WC4-H-H kan även användas utan bänkgivare F2.

### 5.12. Ansluta dummygivare (tillval)

1. Anslut den medföljande dummygivaren till klämmorna med texten "**WC4-H-H: br-bl**" på kopplingsplinten **[17]**.

### 5.13. Ansluta effektförstärkning (tillval)

1. Dra ledningen för effektförstärkning genom kabelhålet **[7]** till anslutningsområdet för 230 V/400 V **[1]**.
2. Anslut ledningen för effektförstärkning på kopplingsplinten **[2]** och **[3]**. Använd klämman "**ST1**" för säkerhetskretsen (ST1) och klämman "**V**" för styrkretsen (ST2).  
Observera bruksanvisningen till respektive apparat.



Vid leverans sitter det en plastskruv i klämman ST1 - denna skruv måste vid behov tas bort.

### 5.14. Ansluta fjärrstart

Anslutningen görs via klämmorna "**Remote start**" i anslutningsområdet för lågspänning **[19]**.

Via en brytare (permanentkontakt) måste utgående +12V DC återföras till klämman. Senast använda driftsätt kan kopplas in.

## 5.15. Ansluta installationen

1. Anslut försörjningsledningens skyddsledning och alla apparater till jord-skenan **3**.
2. Förslut effektenheten.

## 6. Genomföra kontroller

Följande kontroller måste genomföras av en behörig elektriker.



### **VARNING!**

**Följande kontroller genomförs med strömmen påslagen.  
Risk för strömstöt.**

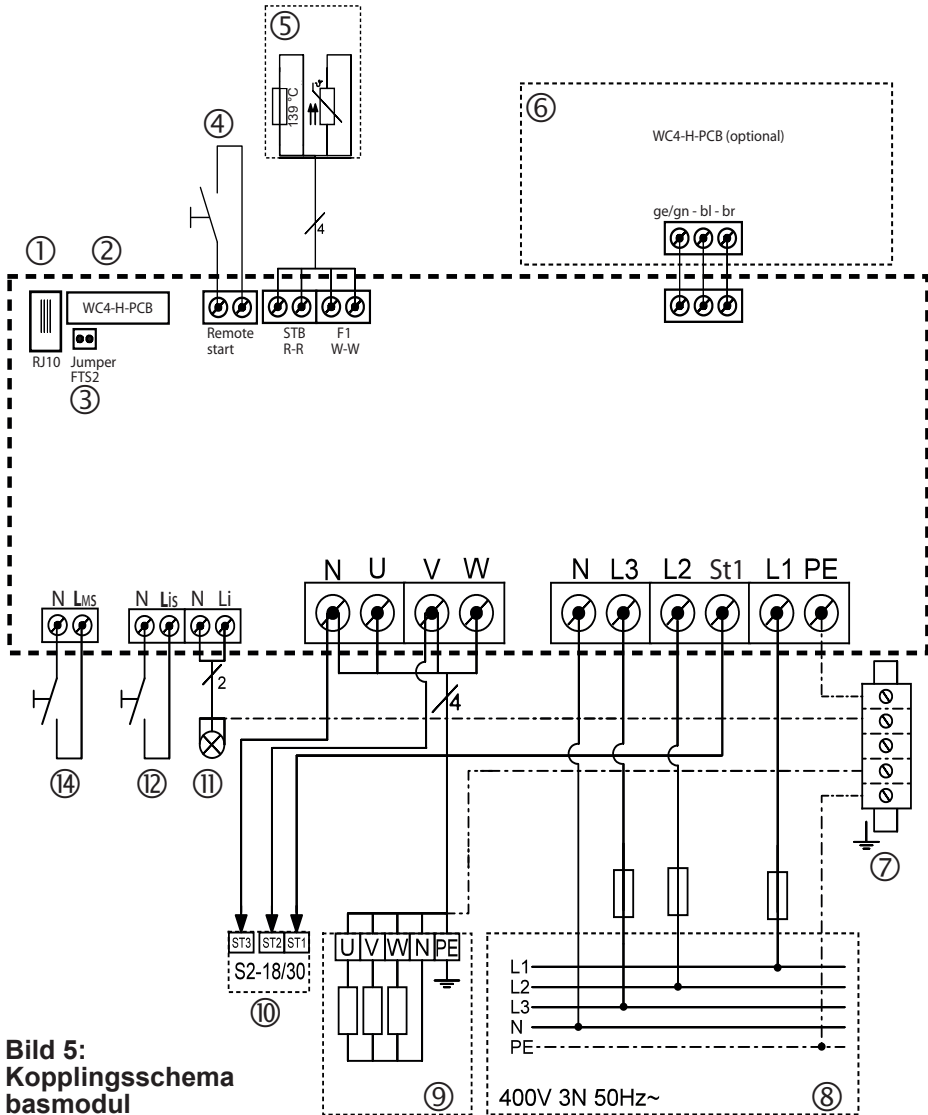
- Vidrör ALDRIG spänningsförande delar.
- 

1. Kontrollera jordledningarnas kontakt på skyddsledaranslutningen.
2. Kontrollera aggregatgivarens F1 övertemperaturskydd.
  - a. Slå på bastustyrenheten.
  - b. Öppna aggregatgivaren och koppla bort en av de två röda givarkablarna.
    - ▶ På displayen visas "-30" och alla symboler blinkar
    - ▶ Styrenheten stänger av aggregatet.
  - c. Stäng av bastustyrenheten med huvudbrytaren.
  - d. Anslut den röda aggregatgivarledningen igen.
  - e. Koppla nu bort en av de vita givarkablarna.
  - f. Slå på bastustyrenheten.
    - ▶ På displayen visas "-21" och alla symboler blinkar
    - ▶ Styrenheten stänger av aggregatet.
  - g. Stäng av bastustyrenheten med huvudbrytaren.
  - h. Anslut den vita aggregatgivarledningen igen.
3. Kontrollera fasgenomkopplingen L1, L2, L3 till U, V, W.
4. Kontrollera max. tillåten värmeeffekt 3,7 kW per fas.
5. Tillval - med tillvalskretskort: Kontrollera fasgenomkopplingen för förångardrift L1, L2, L3 till U1, V, W.
6. Vid effektförstärkning som tillval: Kontrollera styrledningarna ST1, ST2 och ST3.



## 7. Kopplingschema

### 7.1. Kopplingschema basmodul



**Bild 5:**  
Kopplingschema  
basmodul

Aggregat [kW]	Elkabel Ledning till aggregatet (temperaturbeständig upp till 150 °C)	Säkringar [A]
0 - 6,9	5 x 1,5 mm <sup>2</sup>	3 x 10
< 6,9 - 11	5 x 2,5 mm <sup>2</sup>	3 x 16

SV

- ① RJ10 anslutning manöverenhet
- ② Tillvalskretskort
- ③ Bygling för FTS2
- ④ Fjärrstart
- ⑤ Aggregatgivare med övertemperatur-skydd (F1)
- ⑥ Tillvalskretskort
- ⑦ Jordledning
- ⑧ Strömförsörjning för styrenheten
- ⑨ Värmesystem (max.11 kW)
- ⑩ Effektförstärkning
- ⑪ Belysning
- ⑫ Belysningsknapp
- ⑬ Huvudbrytare
- ⑭ Förångare (max. 3 kW)
- ⑮ Fläkt
- ⑯ Bänkgivare (F2/FTS2)
- ⑰ Fuktgivare (WC4-H-H / FTS2)

## 7.2. Anslutningsschema tillvalskretskort (tillval)

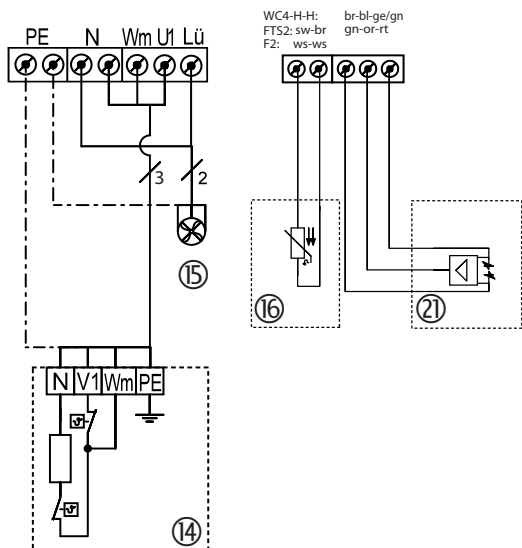
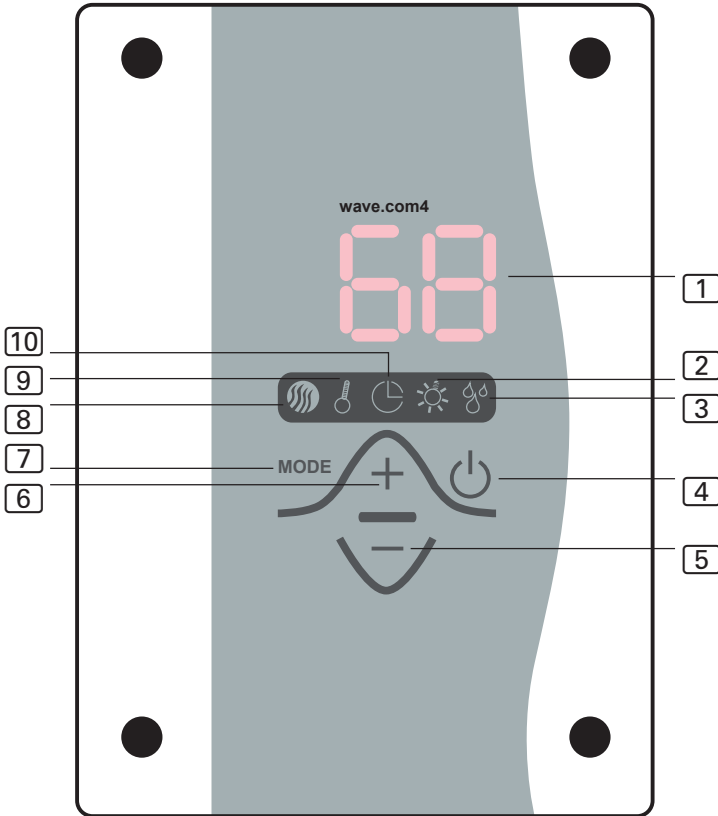


Bild 6: Kopplingschema tillvalskretskort

## 8. Reglage och indikatorer



1	Display (sju-segmentsdisplay med 3 siffror)	6	Plus
2	Indikatorlampa: <i>Belysning</i>	7	Läge (inställningar)
3	Indikatorlampa: <i>Fukt</i>	8	Indikatorlampa: <i>Standby</i>
4	På/Av	9	Indikatorlampa: <i>Temperatur</i>
5	Minus	10	Indikatorlampa: <i>Timer</i>

## 9. Användning

Beakta "8. Reglage och indikatorer" på sidan 25.

### 9.1. Påslagning

Slå på styrenheten med den externa huvudbrytaren (tillval).

- ▶ Kontrollampan Standby **[8]** lyser konstant.

### 9.2. Ställa in uppvärmningstid

Uppvärmningstiden kan ställas in i timmar (1 - 12).

Styrenheten måste vid denna programmering befinna sig i Standby.

Tryck samtidigt i 3 sekunder in knapparna På/Av **[4]** och Minus **[5]**.

- ▶ Displayen **[1]** visar den senast inställda tiden blinkande

Välj med knapparna Minus **[5]**/Plus **[6]** önskad uppvärmningstid (AV, 1 - 12).

Bekräfta valet med knappen På/Av **[4]** så kommer du direkt till språkinställningen (se Sida 26). Tryck på knappen På/Av **[4]** för att bekräfta.

- ▶ Kontrollampan Standby **[8]** lyser.

### 9.3. Ställa in språk

Det går att välja mellan följande språk:

Tyska, engelska, franska, italienska, nederländska

Styrenheten måste vid denna programmering befinna sig i Standby.

Tryck samtidigt i 3 sekunder in knapparna På/Av **[4]** och Minus **[5]**.

Du kommer till menyn för uppvärmningstid. Gå till språkmenyn med knappen Mode **[7]**. Använd knapparna Minus **[5]** /Plus **[6]** för att välja.

Bekräfta valet med knappen Mode **[7]**.

## 9.4. Slå på belysning (rengöringsbelysning)

Belysningen (rengöringsbelysningen) i bastun går att slå på och av med en extern belysningsknapp, oberoende av driftläge.

Belysningen (rengöringsbelysningen) i bastun går att slå på och av med knappen **4** på manöverenheten. (Styrenheten måste då befinna sig i Standby-läge). Belysningen släcks automatiskt efter 5 min.

- ▶ Kontrolllampan Standby **8** blinkar = Standby-läge

Belysningen i bastun kan dimmas. Styrenheten måste då befinna sig i driftsättet *FIN* eller *FEU* (se "9.12. Dimma belysning" på sidan 29).

## 9.5. Välja driftsätt

Det går att välja mellan följande driftsätt:

- Bastudrift "*FIN*" (= standard)
- Kombidrift "*FEU*"
- Rengöringsbelysning "*AUS*"

Tryck på knappen På/Av **4** och välj med knapparna Minus **5**/Plus **6** önskat driftsätt.

## 9.6. Starta bastudrift *FIN*

Välj driftsättet *FIN*. Tryck därefter kort på knappen På/Av **4**.

- ▶ Styrenheten startar med de senaste inställningarna i detta driftsätt.
- ▶ Kontrolllamporna Standby **8** och Temperatur **9** lyser.

Välj med knapparna Minus **5**/Plus **6** önskad temperatur (< 110 °C)

- ▶ Displayen **1** visar i några sekunder önskad temperatur (börvärdet), sedan visas uppmätt temperatur (ärvärdet).

## 9.7. Slå av bastudrift *FIN*

Tryck kort på knappen På/Av [4].

- ▶ Bastuaggregatet stängs av.
- ▶ Kontrolllampan Standby [8] blinkar. Du är nu i driftläge **AUS**
- ▶ Belysningen (rengöringsbelysningen) lyser.

Tryck kort på knappen På/Av [4] för att stänga av styrenheten

- ▶ Kontrolllampan Standby [8] blinkar = Standby-läge

## 9.8. Starta kombidrift *FEU*

Välj driftsättet **FEU**. Tryck kort på knappen På/Av [4].

- ▶ Styrenheten startar med de senaste inställningarna i detta driftsätt.
- ▶ Kontrolllamporna Standby [8] och Temperatur [9] lyser.

Välj med knapparna Minus [5]/Plus [6] önskad temperatur.

- ▶ Displayen [1] visar i några sekunder önskad temperatur (börvärdet), sedan visas uppmätt temperatur (ärvärdet).

Tryck på knappen Mode [7] tills kontrolllampan Fukt [3] lyser.

Välj med knapparna Minus [5] och Plus [6] önskad fuktighet (< 70 °C se "Bild 1: Diagram över fukt/temperatur" på sidan 11)

- ▶ Displayen [1] visar önskad fuktighet (börvärdet).  
Om en fuktgivare (tillval) monteras, visas efter några sekunder uppmätt fuktighet (ärvärdet).

## 9.9. Slå av kombidrift *FEU*

Tryck kort på knappen På/Av [4].

- ▶ Bastuaggregatet och förångaren stängs av.
- ▶ Kontrolllampan Standby [8] blinkar. Du är nu i driftläge **AUS**
- ▶ Belysningen (rengöringsbelysningen) lyser.

Tryck kort på knappen På/Av [4] för att stänga av styrenheten

- ▶ Kontrolllampan Standby [8] blinkar = Standby-läge

## 9.10. Avbryta eftertorkningsprogram

Efter kombidriften startas eftertorkningsprogrammet automatiskt. På displayen **[1]** visas texten "dry" och kontrollampan Fukt blinkar. För möjliga inställningar för eftertorkningsprogrammet, se "**Ställa in eftertorkningsprogram**" på sidan **33**

- ▶ Tryck samtidigt i ca 3 sekunder in knapparna På/Av **[4]** och Minus **[5]**



För att förhindra att mögel och röta bildas bör eftertorkningsprogrammet **INTE** avbrytas.

## 9.11. Ställa in timer

Timern kan ställas in i minuter (0 - 99). En ljudsignal (summern är i effektenheten) hörs när tiden gått ut.

Tryck på knappen Mode **[7]** tills kontrollampan Timer **[10]** lyser. Välj med knapparna Minus **[5]**/Plus **[6]** önskat intervall.

- ▶ Displayen **[1]** visar återstående tid.

## 9.12. Dimma belysning

Belysningen i bastun kan dimmas. Styrenheten måste då befinna sig i driftsättet *FIN* eller *FEU*.

Tryck på knappen Mode **[7]** tills kontrollampan Belysning **[2]** lyser.

- ▶ Välj genom att trycka länge på knapparna Minus **[5]** eller Plus **[6]** önskad ljusstyrka på bastuns belysning.
- ▶ Tryck kort på knappen Plus **[6]** för att ställa bastubelysningen på max (100).
- ▶ Tryck kort på knappen Minus **[5]** för att stänga av bastubelysningen (0).



När den externa belysningsknappen är påslagen lyser bastubelysningen alltid med full effekt. Om du måste dimma belysningen med manöverenheten ska den externa belysningsknappen stå i läge **AV**.

### 9.13. Ställa in timer

Den förinställda tiden kan ställas in i timmar (1 - 24).

Styrenheten måste då befinna sig i Standby.

Tryck samtidigt i 3 sekunder in knapparna På/Av [4] och Plus [6].

- ▶ Displayen [1] visar den senast inställda tiden blinkande

Välj med knapparna Minus [5]/Plus [6] önskad förinställd tid (AV, 1 - 24).

Gå med knappen Mode [7] till önskat driftsätt *FIN* eller *FEU* och bekräfta detta med knappen På/Av [4].

- ▶ Displayen [1] visar vald förinställd tid
- ▶ Kontrolllamporna Standby [8] och Timer [10] lyser

När tiden löpt ut startar valt driftsätt.



Vid strömavbrott eller vid manuell påslagning avaktiveras förinställd tid

### 9.14. EKO-läge

EKO-läget gör att bastutemperaturen kan vara densamma efter en paus som den var före. Det går att välja mellan följande lägen:

- ECO20 för en bastupaus på 20 minuter
- ECO20 för en bastupaus på 40 minuter
- ECO20 för en bastupaus på 60 minuter

Styrenheten måste då befinna sig i driftsättet *FEU*.

Tryck på knappen Mode [7] tills kontrolllampan Temperatur [9] lyser.

- ▶ Displayen [1] visar vald temperatur
- ▶ Kontrolllamporna Standby [8] och Temperatur [9] lyser

Tryck samtidigt i 3 sekunder in knapparna Plus [6] och Minus [5].

Välj med knapparna Minus [5]/Plus [6] önskat EKO-läge (AUS, E20, E40, E60). Bekräfta ditt val med knappen Mode [7]. Pausen har därmed startat.



## 9.15. Aktivera standby för fjärrstyrning

Enligt EN 60335-2-53 måste bastystyrenheter manuellt ställas in på driftläget "Standby för fjärrstyrning" med hjälp av fjärrstartfunktion. Denna aktivering måste utföras på nytt efter varje fjärrstart och fjärrstopp. Gör på följande sätt:

Säkerställ att styrenheten befinner sig i standby-läget.

Tryck samtidigt på På/Av-knappen **[4]** och lägesknappen **[7]** och håll dem intryckta i ca 3 sekunder.

- ▶ På displayen **[1]** blinkar "rc" (remote control).
- ▶ Styrenheten är nu redo för att kunna startas och stoppas via fjärrstartsignal.
- ▶ Efter en fjärrstart eller fjärrstopp slocknar indikeringen "rc" och fjärrstart-symbolen. Driftläget måste därefter aktiveras på nytt.



Tryck på På/Av-knappen **[4]** i ca 3 sekunder för att avbryta funktionen "Standby för fjärrstyrning".

## 9.16. Fjärrstart-frigivning

Med fjärrstart-frigivningen väljs funktionen fjärrstartsutgång (observera EN60335-2-53). Anslutning: se "5.14. Ansluta fjärrstart" på sidan 21

- Som standardinställning är fjärrstart-frigivningen inställd på AV. Fjärrstarten aktiveras med hjälp av "Standby för fjärrstyrning".
- Om du vill aktivera fjärrstartsutgången för olika enheter (som t.ex. myntinkastet, fjärrstartsystemet, dörrövervakningen) gör du på följande sätt:

Styrenheten måste vid denna programmering befinna sig i Standby.

Tryck samtidigt i 3 sekunder in knapparna På/Av **[4]** och Minus **[5]**.

Du kommer till menyn för uppvärmningstid.

Gå till språkmenyn med knappen Mode **[7]**.

Gå till fjärrstart-frigivningen med knappen Mode **[7]**.



Använd knapparna Minus **[5]**/Plus **[6]** för att välja.

Bekräfta valet med knappen Mode **[7]**.

## 9.17. Aktivera extra manöverenhet

Det går att ansluta upp till fyra manöverenheter (se "5.3. Ansluta manöverenhet" på sidan 18).

Slå på styrenheten (kontrolllampan Standby  lyser).

Dra ur den extra manöverenhetens datakabel. Håll knapparna Minus  och Plus  intryckta på den urkopplade manöverenheten och sätt samtidigt i datakabeln.

► På displayen  blinkar den senast inställda bussadressen

Välj med knapparna Minus /Plus  önskad bussadress (0 - 3).

Bekräfta valet med knappen Mode .

Observera att styrenheten måste stängas av i 10 sekunder efter denna ändring för att kunna spara inställningen.



Om flera manöverenheter används måste varje manöverenhet tilldelas en bussadress. Adress 0 är standardvärde. Varje adress (0 - 3) kan bara användas en gång.


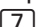
## 9.18. Ställa in ljudsignal

Ljudsignalen kan ställas in för följande funktioner:

Styrenheten måste då befinna sig i driftsättet *FIN* eller *FEU*.

Tryck på knappen Mode  tills kontrolllampan Tid  lyser.

► På displayen  blinkar den inställda funktionens värde

Välj med knapparna Minus /Plus  önskat värde. Bekräfta valet med knappen Mode .

Värde	Funktion	Funktionsbeskrivning
0	Tyst	Ingen ljudsignal
1	Timer	Timer aktiv 1 sek. efter tid löpt ut
2	Vattenbrist	Kontinuerlig ljudsignal vid vattenbrist
3	Timer + vattenbrist	Båda funktionerna aktiva (= standard)

## 9.19. Slå på displayväxling

Den roterande visningen gör att displayen [1] omväxlande visar Temperatur och Fukt (tillval) med 10 sekunders intervall

Styrenheten måste då befinna sig i driftsättet *FIN* eller *FEU*.

Tryck på knappen Mode [7] tills kontrolllampan Belysning [2] lyser.

Tryck samtidigt i 3 sekunder in knapparna Minus [5] och Plus [6].

- ▶ På displayen [1] blinkar AV (= standard)

Byt med knappen Plus [6] till PÅ. Bekräfta valet med knappen Mode [7].

- ▶ Kontrolllampan Standby [8] lyser.

## 9.20. Ställa in eftertorkningsprogram

Det går att ställa in eftertorkningsprogrammets tid och temperatur.

Styrenheten måste då befinna sig i driftsättet *FEU*.

Tryck på knappen Mode [7] tills kontrolllampan Fukt [3] lyser.

Tryck samtidigt i 3 sekunder in knapparna Plus [6] och Minus [5].

- ▶ På displayen [1] blinkar 0 (= standard)

Det går nu vid behov att korrigera temperaturvärdet som visas med knapparna Plus/Minus (-9 till +9).

Tryck på knappen Mode [7]

- ▶ Kontrolllamporna Standby [8], Timer [10] och Fukt [3] lyser
- ▶ På displayen [1] blinkar den inställda eftertorkningstiden för värme och fläkt (0 - 120 minuter; 15 min.= standard)

Välj önskat värde med knapparna Minus [5]/Plus [6].

Tryck på knappen Mode [7]

- ▶ Kontrolllamporna Standby [8] och Timer [10] lyser
- ▶ På displayen [1] blinkar den inställda tiden för eftertorkning utan värme, men med fläkt (0 - 30 minuter; 15 min.= standard)

Välj önskat värde med knapparna Minus [5]/Plus [6].

Tryck på knappen Mode [7]

- ▶ Kontrolllamporna Standby [8] och Temperatur [9] lyser
- ▶ På displayen [1] blinkar den inställda temperaturen för eftertorkningen (70 - 90 °C; 80 °C = standard)

Välj önskat värde med knapparna Minus [5]/Plus [6].

Bekräfta valet med knappen PÅ/AV [4].

## 9.21. Stänga av styrenheten

När bastustyrenheten inte ska användas under en lägre tid ska den stängas av med huvudbrytaren [11].

# 10. Rengöring och underhåll

## 10.1. Rengöring

### WARNING!

#### **Skador på produkten**

Bastustyrenheten är skyddad mot stänkvatten, men apparaten kan skadas vid direkt kontakt med vatten.

- Doppa ALDRIG apparaten i vatten.
- Håll ALDRIG vatten över apparaten.
- Rengör inte apparaten med för mycket vatten.

1. Doppa en trasa i mild tvållösning.
2. Vrid ur trasan ordentligt.
3. Torka försiktigt av bastustyrenhetens hölje.

## 10.2. Underhåll

Bastustyrenheten är underhållsfri.

# 11. Avfallshantering



- Ta hand om förpackningsmaterialet enligt gällande bestämmelser.
- Enheterna innehåller både återanvändbart material och skadliga ämnen. Släng inte en uttjänt produkt i hushållssoporna, utan lämna den till återvinning enligt gällande bestämmelser.

## 12. Problemlösning

### 12.1. Felmeddelanden

Bastustyrenheten är utrustad med diagnosmjukvara som kontrollerar systemet vid start och under drift. När diagnosmjukvaran registrerar ett fel stänger bastustyrenheten av bastuaggregatet.

Driftsymbolerna blinkar och på displayen **1** visas ett felnummer. Stäng av bastustyrenheten med huvudbrytaren och åtgärda felet innan bastustyrenheten slås på igen.

Följande tabell beskriver möjliga fel och deras orsak. Vid behov, informera kundtjänsten om felnumret.

Felnr	Beskrivning	Åtgärd/orsak
-5	Inget manöverreglage anslutet.	Inget manöverreglage är anslutet eller dålig kontakt.
-10	Inget manöverreglage är längre anslutet efter det att minst ett detekterades vid start.	Kontrollera kontakten till manöverreglaget.
-21	Ugnens temperaturgivare trasig.	Defekt temperaturgivare eller dålig kontakt.
-22	Kortslutning, ugnstemperaturgivare.	Defekt temperaturgivare eller kortslutning.
-24	Bänktemperaturgivare trasig.	Defekt temperaturgivare eller dålig kontakt.
-25	Kortslutning, bänktemperaturgivare.	Defekt temperaturgivare eller kortslutning.
-26	Fuktgivare trasig.	Defekt fuktgivare eller dåligt/felaktigt ansluten.
-27	Kortslutning, fuktgivare.	Defekt fuktgivare, dåligt/felaktigt ansluten eller kortslutning.
-30	Termosäkring defekt.	Defekt ugnsgivare, dålig kontakt eller termosäkring inte ansluten.

## 12.2. Säkringar

I basmodulens anslutningsområde sitter det säkringar för elektronik och belysning. Dessa kan beställas med artikelnummer 1-30-174 (10 st).

På tillvalskretskortet sitter det en säkring för fläkten.

## 12.3. Temperaturkorrigering

Du kan korrigera temperaturvärdet som visas.

Detta är möjligt i området  $-9\text{ °C}/+9\text{ °C}$ .

Styrenheten måste då befinna sig i driftsättet *FIN*.

Tryck på knappen Mode [7] tills kontrollampen Temperatur [9] lyser.

Tryck samtidigt i 3 sekunder in knapparna Plus [6] och Minus [5].

► På displayen [1] blinkar AV

Tryck samtidigt i 3 sekunder in knapparna PÅ/AV [4] och Mode [7].

► På displayen [1] blinkar 0 (= standard)

Det går nu att korrigera temperaturvärdet som visas med knapparna Plus [6] och Minus [5] ( $\Delta t$ :  $-9$  till  $+9\text{ °C}$ ).

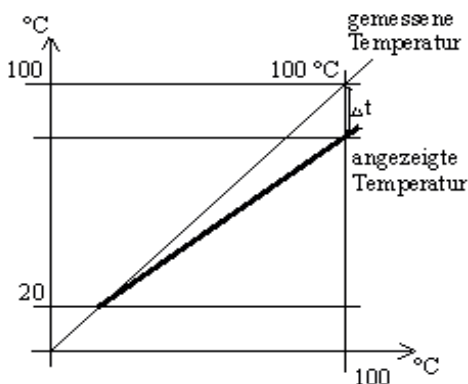


Bild 7: Temperaturkorrigering

## 13. Tekniska data

### Omgivningsförhållanden

---

Förvaringstemperatur:	-25 °C till +70 °C
Luftfuktighet:	Max. 95 % Inte kondenserande

### Effektenhet

---

Mått (B x H x D):	320 x 220 x 110 mm
Omgivningstemperatur:	-10 °C till +40 °C
Brytspänning/trefas 3N:	400 V AC
Frekvens:	50 Hz
Bryteffekt/värmeapparat:	3 x 3,7 kW
Brytström per fas/värmeapparat:	16 A
Bryteffekt/förångare (tillval):	3 kW
Brytström/förångare (tillval):	16 A
Kapslingsklass:	IP65
Säkring:	1 A T
Anslutning till elnätet som fast anslutning	

### Manöverreglage

---

Anslutningsledning:	RJ10 - 4-polig
Mått (B x H x D):	92 x 120 x 44,5 mm
Omgivningstemperatur:	0 °C till +100 °C
Monteringsurtag (Ø x D):	Ø 70 x 35 mm
Kapslingsklass:	IP54

### Belysning

---

Bryteffekt:	100 W
Säkring:	1 A T

### Fläkt

---

Bryteffekt:	100 W
Säkring:	4 A T

---

**Inställningsområde**

---

Temperatur: 30 °C till 110 °C

Fuktighet: 30 % till 99 %

Max. inställningsbar fuktighet beror på bastutemperaturen. Ju högre bastutemperatur, desto lägre max. inställningsbart fuktvärde.

---

**Termisk säkerhet**

---

Aggregatgivare med övertemperaturskydd (139 °C avstängningstemperatur)

Automatisk begränsning av uppvärmningstid kan ställas in (1 till 12 timmar)\*

Drift med en eller två givare

---

**Anslutningskablar**

---

Ledningar till givare  
(temperaturbeständiga upp till 150 °C): 0,5 mm<sup>2</sup>

Belysningskabel: 1,5 mm<sup>2</sup>

Fläktledning: 1,5 mm<sup>2</sup>

\* EN 60335-2-53 föreskriver en värme-tidsbegränsning på 6 h för privata bastur. På bastur i hotell, flerfamiljshus och liknande platser kan en värme-tidsbegränsning på 12 h användas.



# Saunaohjain

# wave.com4 11 kW

ASENNUS- JA KÄYTTÖOHJEET  
Suomi



WC4-B-D/W/S



wave.com 4 Perusmoduuli 11 kW

1-049-633 / WC4-B-11

wave.com 4 Hallintalaite, tumma puu

1-008-128 / WC4-B-D

wave.com 4 Hallintalaite, musta

1-010-433 / WC4-B-S

wave.com 4 Hallintalaite, valkoinen

1-010-433 / WC4-B-W

FI

# Sisällysluettelo

<b>1. Sananen näistä ohjeista</b>	<b>5</b>
<b>2. Tärkeitä ohjeita turvallisuutesi varmistamiseksi</b>	<b>6</b>
2.1. Käyttötarkoitus	6
2.2. Turvaohjeita asentajalle	7
2.3. Turvaohjeita käyttäjälle	8
<b>3. Tuotekuvaus</b>	<b>9</b>
3.1. Toimituskokonaisuus	9
3.2. Toimituskokonaisuuteen ei sisälly	9
3.3. Valinnaiset lisätarvikkeet	9
3.4. Tuotteen toiminnot	10
3.5. Saunan käyttötavat	11
3.6. Anturikäyttötavat	11
<b>4. Asennus</b>	<b>13</b>
4.1. Teho-osan asentaminen	13
4.2. Pääkytkimen asentaminen	13
4.3. Löylyhuoneen valon / valokytkimen asennus	13
4.4. Laajennuspiirilevyn asennus (valinnainen)	14
4.5. Hallintalaitteen asennus	14
4.6. Ylikuumenemissulakkeella varustetun kiuasanturin F1 asentaminen	15
4.8. Laudeanturin F2 asentaminen (valinnainen)	16
4.9. Kosteusanturin WC4-H-H asentaminen (valinnainen)	16
4.7. Kosteus-lämpötila-anturin FTS2 asentaminen (valinnainen)	16
<b>5. Sähköliitäntä</b>	<b>17</b>
5.1. Syöttöjohdon ja kiukaan liittäminen	18
5.2. Höyrystimen liittäminen (valinnainen)	18
5.3. Hallintalaitteen liittäminen	18

5.4.	Ulkoisen pääkytkimen liittäminen.....	19
5.5.	Valon liittäminen.....	19
5.6.	Ulkoisen valokytkimen liittäminen.....	19
5.7.	Tuulettimen (valinnainen) liittäminen.....	19
5.8.	Kiuasanturin F1 liittäminen.....	20
5.9.	Kosteus-lämpötila-anturin FTS2 liittäminen (valinnainen).....	20
5.10.	Laudeanturin F2 liittäminen (valinnainen).....	20
5.11.	Kosteusanturin WC4-H-H liittäminen (valinnainen).....	21
5.12.	Dummy-anturin liittäminen (valinnainen).....	21
5.13.	Teholaajennuksen liittäminen (valinnainen).....	21
5.14.	Etäkäynnistyksen liittäminen .....	21
5.15.	Asennuksen viimeistely.....	22
<b>6.</b>	<b>Tarkastukset</b> .....	<b>22</b>
<b>7.</b>	<b>Liitântäkaavio</b> .....	<b>23</b>
7.1.	Liitântäkaavio – perusmoduuli.....	23
7.2.	Liitântäkaavio – laajennuspiirilevy (valinnainen).....	24
<b>8.</b>	<b>Käyttö- ja näyttöelementti</b> .....	<b>25</b>
<b>9.</b>	<b>Käyttö</b> .....	<b>26</b>
9.1.	Päällekytkentä.....	26
9.2.	Lämmitysajan asettaminen.....	26
9.3.	Kielen asettaminen.....	26
9.4.	Valon päälle kytkeminen (siivousvalo).....	27
9.5.	Käyttötavan valinta.....	27
9.6.	Saunakäytön <b>FIN</b> käynnistäminen.....	27
9.7.	Saunakäytön <b>FIN</b> lopettaminen.....	28
9.8.	Yhdistelmäkäytön <b>FEU</b> käynnistäminen.....	28
9.9.	Yhdistelmäkäytön <b>FEU</b> lopettaminen.....	28
9.10.	Jälkikuivausohjelman keskeyttäminen.....	29

9.11. Ajastimen asettaminen.....	29
9.12. Valon himmentäminen.....	29
9.13. Ajastimen asettaminen.....	30
9.14. ECO-tila.....	30
9.15. Valmiustila etäkytkennän aktivoimiseksi.....	31
9.16. Etäkäynnistyksen vapautus.....	31
9.17. Lisähallintalaitteen aktivointi.....	32
9.18. Akustisen merkkiäänen asettaminen.....	32
9.19. Näytön vaihtumisen päälle kytkeminen.....	33
9.20. Jälkikuivausohjelman asettaminen.....	33
9.21. Saunaohjaimen kytkeminen pois päältä.....	34
<b>10. Puhdistus ja huolto.....</b>	<b>34</b>
10.1. Puhdistus.....	34
10.2. Huolto.....	34
<b>11. Hävittäminen.....</b>	<b>34</b>
<b>12. Ongelmanratkaisu.....</b>	<b>35</b>
12.1. Virheilmoitukset.....	35
12.2. Sulakkeet.....	36
12.3. Lämpötilankorjaus.....	36
<b>13. Tekniset tiedot.....</b>	<b>37</b>

# 1. Sananen näistä ohjeista

Lue nämä asennus- ja käyttöohjeet huolellisesti läpi ja säilytä niitä saunaohjaimen lähellä. Näin voit katsoa turvallisuuttasi sekä käyttöä koskevia tietoja milloin tahansa.



Asennus- ja käyttöohjeet saat myös Internet-sivujemme materiaalinlatausosiosta osoitteesta [www.sentiotec.com/downloads](http://www.sentiotec.com/downloads).

## Symbolit ja varoitukset

Näissä asennus- ja käyttöohjeissa annetaan varoitus ennen toimia, jotka muodostavat vaaratekijän. Näitä varoituksia on ehdottomasti noudatettava. Näin vältät esinevahingot ja loukkaantumiset, jotka pahimmassa tapauksessa voivat aiheuttaa jopa kuoleman.

Varoituksissa käytetään huomiosanoja, joiden merkitys on seuraava:



### **VAARA!**

Jos et noudata tätä varoitusta, seurauksena on kuolema tai vakava loukkaantuminen.



### **VAROITUS!**

Jos et noudata tätä varoitusta, seurauksena voi olla kuolema tai vakava loukkaantuminen.



### **VARO!**

Jos et noudata tätä varoitusta, seurauksena voi olla lievä loukkaantuminen.

## **HUOMIO!**

Tällä huomiosanalla varoitetaan esinevahingoista.

## **Muut symbolit**



Tällä symbolilla merkitään vinkit ja hyödylliset ohjeet.

## 2. Tärkeitä ohjeita turvallisuutesi varmistamiseksi

Saunaohjain wave.com4 11 kW on valmistettu tunnustettujen turvateknisten säätöjen mukaisesti. Käytön yhteydessä voi silti ilmetä vaaroja. Noudata siksi seuraavia turvaohjeita sekä asennus- ja käyttöohjeen erityisiä varoituksia. Noudata myös liitettyjen laitteiden turvaohjeita.

### 2.1. Käyttötarkoitus

Saunaohjain wave.com4 11 kW on tarkoitettu ainoastaan toimintojen ohjaukseen ja säätelyyn teknisten tietojen mukaisesti.

Saunaohjainta saa käyttää vain 3 lämmityspiirin ohjaamiseen ja säätelyyn. Lämmitysteho saa olla tällöin enintään 3,7 kW lämmityspiiriä kohti.

Käytettäessä optiona saatavaa wave.com4 -laajennuskorttia (WC4-H-PCB) maksimihöyrystinteho on 3,0 kW.

Standardin EN 60335-2-53 mukaan etäohjauksella varustettuja saunaohjaimia saa käyttää ainoastaan sellaisen kiukaan ohjaamiseen ja säätelyyn, joka läpäisee kohdan 19.101 mukaisen peittämissäkökeen. Vaihtoehtoisesti vastaava turvalaite (esim: turvakatkaisin, ovikatkaisin...) on asennettava.

Muunlaisen käytön katsotaan poikkeavan tuotteen käyttötarkoituksesta. Tuotteen käyttötarkoituksesta poikkeava käyttö voi johtaa tuotteen vaurioitumiseen, vakaviin vammoihin tai kuolemaan. Käyttötarkoituksesta poikkeava käyttö johtaa takuun raukeamiseen.

## 2.2. Turvaohjeita asentajalle

- Vain sähköalan ammattilainen tai vastaavan pätevyyden omaava henkilö saa suorittaa sähköliitännät. Huomaa, että takuuvaatimusten esittämiseksi tarvitaan kopio liitännän tehneen sähköliikkeen laskusta.
- Saunaohjaimen liittyviä töitä saa tehdä vain jännitteettömässä tilassa.
- Asiakkaan on järjestettävä ylijännitekategorian III mukainen kaikinapainen erotuslaite, joka takaa täyden katkaisun.
- Laitteen wave.com4 11 kW (WC4-B-11) teho-osa täytyy asentaa teknisten tietojen mukaisesti.
- Ohjainosan saa asentaa saunan sisä- ja ulkopuolelle, oheisen asennus- ja käyttöohjeen määräyksiä on kuitenkin ehdottomasti noudatettava
- Noudata myös sijoituspaikan paikallisia määräyksiä.
- Käänny oman turvallisuutesi vuoksi toimittajasi puoleen sellaisissa ongelmissa, joita ei käsitellä asennusohjeessa kyllin tarkasti.

### 2.3. Turvaohjeita käyttäjälle

- Alle 8-vuotiaat lapset eivät saa käyttää saunaohjainta.
- Yli 8-vuotiaat lapset, fyysisiltä, sensorisilta tai henkisiltä kyvyiltään rajoittuneet henkilöt sekä kokemattomat ja tietämättömät henkilöt saavat käyttää saunaohjainta seuraavin ehdoin:
  - jos he ovat valvonnan alaisina
  - jos heille on näytetty turvallinen käyttö ja he ymmärtävät vaarat, joita voi syntyä.
- Lapset eivät saa leikkiä saunaohjaimella.
- Alle 14-vuotiaat lapset saavat puhdistaa saunaohjainta vain, kun he ovat valvonnan alaisina.
- Jätä saunominen terveydellisistä syistä väliin, jos olet alkoholin, lääkkeiden tai huumeiden vaikutuksen alaisena.
- Ennen kuin kytket kiukaan päälle, varmista, että kiukaalla ei ole tulenarkoja esineitä.
- Varmista, ettei mitään palavia esineitä ole saunan kiukaan päällä ennen kuin ajastustoiminto tai etäkäynnistyksen valmiustila aktivoidaan.
- Käänny oman turvallisuutesi vuoksi toimittajasi puoleen sellaisissa ongelmissa, joita ei käsitellä käyttöohjeessa kyllin tarkasti.



## 3. Tuotekuvaus

Saunaohjain wave.com4 11 kW on kaksiosainen saunaohjain. Toimintaan tarvitaan aina teho-osa perusmoduuli (WC4-B-11), hallintalaite (WC4-B-S, WC4-B-D tai WC4-B-W) sekä kiuasanturi (WC4-B-F1D tai WC4-B-F1H).

### 3.1. Toimituskokonaisuus

- Teho-osa (1-049-633 / WC4-B-11)
- Asennus- ja käyttöohjeet

### 3.2. Toimituskokonaisuuteen ei sisälly

- Pääkytkin (tavallinen 230 V -kytkin)
- Valokytkin (tavallinen 230 V -kytkin)
- Hallintalaite, tumma puu (1-008-128 / WC4-B-D)  
tai hallintalaite, musta (1-010-389 / WC4-B-S)  
tai hallintalaite, valkoinen (1-010-437 / WC4-B-W)
- Kiuasanturi, vaalea puu (1-013-651 / WC4-B-F1H), anturijohdot 5 m  
tai kiuasanturi, tumma puu (1-003-479 / WC4-B-F1D), anturijohdot 5 m

### 3.3. Valinnaiset lisätarvikkeet

- Laajennuspiirilevy kosteudensäätötoimintoa, laudeanturia varten (1-003-472 / WC4-H-PCB)
- Laudeanturi WC4, tumma puu (1-003-295 / WC4-H-F2D), anturijohdot 5 m
- Laudeanturi WC4, vaalea puu (1-013-662 / WC4-H-F2H), anturijohdot 5 m
- Kosteusanturi, tumma puu (1-003-364 / WC4-H-HD), anturijohdot 5 m
- Kosteusanturi, vaalea puu (1-013-669 / WC4-H-HH), anturijohdot 5 m
- Kosteus-lämpötila-anturi (1-010-081 / O-FTS2), anturijohdot 6 m
- Anturikotelo malliin FTS2, tumma puu (1-041-521 / SC-FTS2-D)
- Anturikotelo malliin FTS2, vaalea puu (1-041-520 / SC-FTS2-D)
- Y-adapteri RJ10 4-napainen (1-028-167 / WC4-C-ADY)
- Teholaajennus (1-008-779 / O-S2-18, 1-009-280 / O-S2-30)
- Turvakatkaisin (SFE-xxxxx)
- Etäkäynnistysjärjestelmä (1-051-003 / FS-SY)
- Ovianturijärjestelmä (1-052-722 / SAB00102)

### 3.4. Tuotteen toiminnot

Saunaohjaimissa wave.com4 11 kW on seuraavat toiminnot:

- Ohjaus kiukaisiin, joiden lämmitysteho on enintään 11 kW
- Laajennuspiirilevyn avulla ohjaus yhdistelmäkiukaisiin, joiden lämmitysteho on enintään 11 kW ja höyrystinteho enintään 3 kW.
- Teholaajennuksen avulla maksimikytkevätehoa voidaan suurentaa 11 kW:sta.
- Ulkoisen pääkytkimen liitännämahdollisuus
- Ulkoisen valokytkimen liitännämahdollisuus
- Löylyhuoneen valon kytkentä ja himmennys (enintään 100 W -hehkulamppu)
- Tuulettimen kytkentä (enintään 100 W)
- Automaattinen lämmitysajan rajoitus  
Saunaohjain kytkeytyy maksimilämmitysajan jälkeen turvallisuussyistä automaattisesti pois päältä (1 – 12 tuntia)
- Ajastustoiminto (1 – 24 tuntia)
- Akustinen aikavälin merkkiääni (esim: löylynheittosignaali)
- Jälkikuivausohjelma  
Jälkikuivausohjelma kytkeytyy automaattisesti päälle yhdistelmäkäytön jälkeen, jotta saunahuoneeseen ei pääse muodostumaan hometta eikä lahoa. (3 säätömahdollisuutta).
- Etäkäynnistystoiminto
- Eco-tila  
Eco-tilan avulla on mahdollista palauttaa sama lämpötila tauon (20, 40, 60 min) jälkeen.
- Ylikuumenemissulake  
Ylikuumenemissulake sijaitsee kiuasanturin anturirungossa. Jos kiuas lämmittää vian takia toivelämpötilan saavuttamisen jälkeen edelleen, ylikuumenemissulake kytkee kiukaan automaattisesti pois päältä, kun n. 139 °C:een lämpötila saavutetaan.

### 3.5. Saunan käyttötavat

#### Saunakäyttö

Saunakäytössä lämpö on kuivaa. Saunahuoneen lämpötila on korkea (80...100 °C). Kosteusarvot ovat vähäiset, enintään 10 %.

#### Yhdistelmäkäyttö (valinnainen – laajennuspiirilevyn avulla)

Yhdistelmäkäytössä on kiukaan lisäksi käytössä myös höyrystin. Saunahuoneen lämpötila on alhaisempi (n. 40...65 °C) kuin saunakäytössä, kun taas suhteellinen ilmankosteus on huomattavasti suurempi, 35 %...noin 70 %. Suurin asetettava ohjekosteus riippuu saunan lämpötilasta. Mitä korkeampi lämpötila, sitä vähäisempi on suurin asetettava kosteusarvo (katso kuvaa 1)

### 3.6. Anturikäyttötavat

Saunaohjainta wave.com4 11 kW voidaan käyttää yhden, kahden tai kolmen anturin avulla.

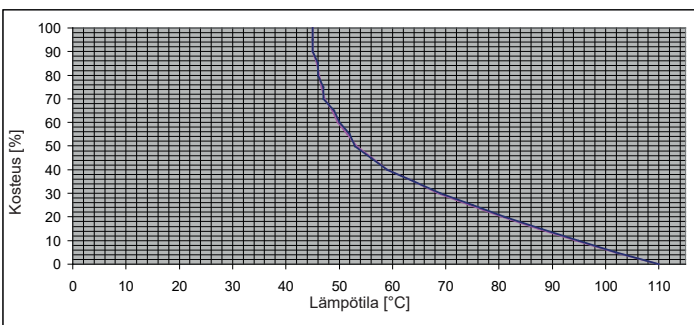
#### Yksianturikäyttö (F1)

Yksianturikäyttö on aktivoitu tehtaalla.

Yksianturikäytössä saunaohjain toimii vain ylikuumenemissulakkeella varustetun kiuasanturin avulla.

Saunaohjain näyttää normaalisti tosilämpötilaa. Ohjelämpötila näytetään säättämisen aikana.

Suurin asetettava kosteusarvo (valinnainen – laajennuspiirilevyn avulla) riippuu yksianturikäytössä kiukaan yläpuolella vallitsevasta lämpötilasta. Kosteus tahdistetaan. Saunaohjaimen näytössä näkyy ainoastaan kosteuden ohjearvo (suhteellinen ilmankosteus-%). Kun kosteus tahdistetaan, saunahuoneen todellinen kosteus riippuu saunahuoneen koosta ja höyrystimen tehosta, ja se voi poiketa asetetusta ohjearvosta.



Kuva. 1: Tunnuskuvaaja: kosteusarvo lämpötilan mukaan

***Kaksianturikäyttö kosteus-lämpötila-anturin (FTS2) avulla  
(valinnainen – laajennuspiirilevyn avulla)***

Kosteus-lämpötila-anturilla toteutetussa kaksianturikäytössä saunaohjain näyttää tosilämpötilana kosteus-lämpötila-anturin mittaaman lämpötilan.

Kun kaksianturikäytössä käytetään kosteus-lämpötila-anturia, höyrystintä säädetään löylyhuoneesta mitatun kosteuden mukaisesti. Saunaohjaimen näytössä näkyy saunahuoneen todellinen kosteus (suhteellinen ilmankosteus-%).

***Kaksianturikäyttö laudeanturin (F2) avulla  
(valinnainen – laajennuspiirilevyn avulla)***

Laudeanturin avulla tapahtuvaa kaksianturikäyttöä varten asennetaan toinen lämpötila-anturi (laudeanturi) taaemman lauteen yläpuolelle. Saunaohjain näyttää tosi-lämpötilana laudeanturin mittaaman lämpötilan.

Kun kaksianturikäytössä käytetään laudeanturia, kosteus tahdistetaan. Saunaohjaimen näytössä näkyy ainoastaan kosteuden ohjearvo (suhteellinen ilmankosteus-%). Kun kosteus tahdistetaan, saunahuoneen todellinen kosteus riippuu saunahuoneen koosta ja höyrystimen tehosta, ja se voi poiketa asetetusta ohjearvosta.

***Kaksianturikäyttö kosteusanturin (WC4-H-H) avulla  
(valinnainen – laajennuspiirilevyn avulla)***

Kosteusanturin avulla toteutetussa kaksianturikäytössä saunaohjain näyttää tosilämpötilana kiuasanturin mittaaman lämpötilan. Höyrystintä säädellään löylyhuoneessa mitattua kosteutta vastaavasti. Saunaohjaimen näytössä näkyy saunahuoneen todellinen kosteus (suhteellinen ilmankosteus-%).

***Kolmianturikäyttö laudeanturin (F2) ja kosteusanturin (WC4-H-Hx) avulla  
(valinnainen – laajennuspiirilevyn avulla)***

Laudeanturin ja kosteusanturin avulla toteutetussa kolmianturikäytössä saunaohjain näyttää tosilämpötilana laudeanturin mittaaman lämpötilan.

Kolmianturikäytössä höyrystintä säädetään löylyhuoneesta mitatun kosteuden mukaisesti. Saunaohjaimen näytössä näkyy saunahuoneen todellinen kosteus (suhteellinen ilmankosteus-%).

## 4. Asennus

Ota asennuksessa huomioon tekniset tiedot, katso Sivu 37:

---

### HUOMIO!

#### **Häiriölähteet haittaavat signaalinvälitystä**

- Vedä kaikki anturijohdot erillään muista verkkojohdoista ja ohjainjohdoista.
- Suojaa yksinkertaisesti eristetyt johdot putkella (kaksoiseristys).



Anturit saa liittää vain oheisilla anturijohdoilla, jotka kestävät lämpöä 150 °C:een asti.

- Kiuasanturijohtojen pituus EI saa olla yli 10 m.
- Anturijohtoja saa jatkaa löylyhuoneen ulkopuolella johdoilla, jotka eivät kestä kuumuutta.

---

### 4.1. Teho-osan asentaminen

Noudata kuvaa 2 sivulla Sivu 14.

---

### HUOMIO!

#### **Laitteen vauriot**

Saunaohjain on roiskevesisuojaattu, mutta laite voi kuitenkin vaurioitua joutuesaan suoraan kosketukseen veden kanssa.

- Asenna saunaohjain paikkaan, jossa ilmankosteus ei ylitä maksimiarvoa 95 % – ei märkätilaan.
- Asennuksessa löylyhuoneeseen johtojen läpivientiaukot eivät saa osoittaa ylöspäin!

---

Asenna teho-osa 1 seuraavissa vaiheissa:

1. Ota teho-osan kansi pois.
2. Voit kiinnittää teho-osan taustaan kotelon 4 kulmasta (katso nuolet Kuva. 4 sivulla 17)

### 4.2. Pääkytkimen asentaminen

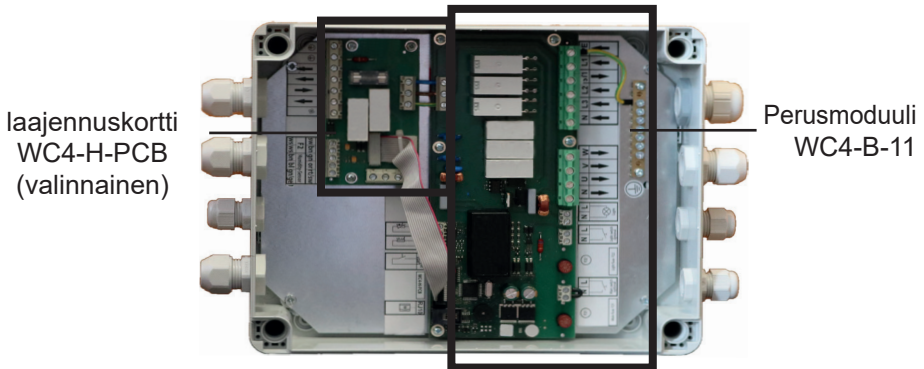
Noudata tällöin kytkimen käyttöohjeita.

### 4.3. Löylyhuoneen valon / valokytkimen asennus

Noudata tällöin kytkimen käyttöohjeita.

#### 4.4. Laajennuspiirilevyn asennus (valinnainen)

1. Yhdistä laajennuspiirilevy liittämällä valmiiksi asennetut johtimet (L-N-PE) ja lattajohto peruspiirilevyyn.
2. Kiinnitä laajennuspiirilevy mukana toimitetuilla ruuveilla.



Kuva. 2: Wave.com4 11 kW -teho-osa

#### 4.5. Hallintalaitteen asennus

Hallintalaite **2** asennetaan löylyhuoneen seinään enintään 10 metrin päähän teho-osasta **1**. Ota datakaapelin kulku huomioon.

##### HUOMIO!

##### *Laitteen vauriot*

- Saunaohjaimen hallintalaite **2** on suojattu roiskevedeltä (kotelointiluokka IPX4).
- Asennukseen saa käyttää vain ruuvimeisseliä. Jos käytetään akkuruuvinväänintä, kotelo on vaarassa vaurioitua niin, ettei sitä voi enää korjata!
- Jos asennus tehdään löylyhuoneen sisään, asennuspaikasta kattoon pitää olla etäisyyttä vähintään 30 cm.

1. Sahaa upotus hallintalaitetta varten esimerkiksi askiporalla  $\varnothing 70 \times 35$  mm.
2. Yhdistä 4-napainen pistoke hallintalaitteen RJ10-liittimeen.
3. Ruuvaa kotelo reiästä 4:llä mukana toimitetulla puuruuvilla kiinni löylyhuoneen seinään.

## 4.6. Ylikuumenemissulakkeella varustetun kiuasanturin F1 asentaminen

Noudata kiuasanturin asennuksessa seuraavia kohtia:

- Kiuasanturi on asennettava löylyhuoneen kattoon kiukaan keskikohtaan yläpuolelle. Tällöin enintään 2 x 2 m -kokoisissa löylyhuoneissa seinään on oltava 19 cm -väli, suuremmissa löylyhuoneissa 35 cm -väli.

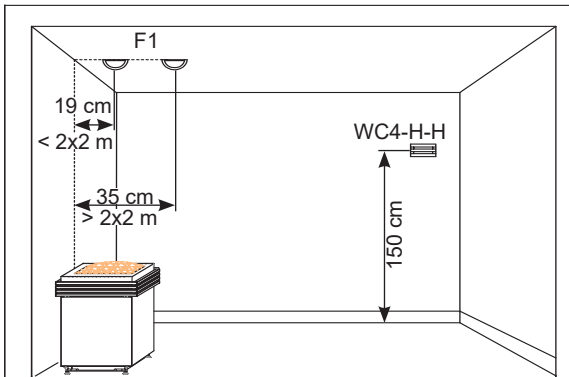


Varo vaurioittamasta johtoja anturijohtoja vetäessäsi!

- Kiuasanturi tulee kiinnittää siten, että sisään virtaava ilma ei vaikuta siihen.

Asenna kiuasanturi tekemällä seuraavat työvaiheet (ks. **Kuva. 3**):

1. Poraa löylyhuoneen kattoon reikä 8 mm -poranterällä.
2. Vedä molemmat 2-napaiset kiuasanturijohdot reiän läpi.
3. Kiinnitä anturikotelo mukana toimitetuilla puuruuveilla.
4. Vedä molemmat 2-napaiset kiuasanturijohdot teho-osaan ja kiinnitä kiuasanturijohdot paikoilleen johtokiinnittimillä.
5. Tarkasta, että kiuasanturi on kiinnitetty hyvin.



**Kuva. 3: Anturin asennus**

#### **4.7. Kosteus-lämpötila-anturin FTS2 asentaminen (valinnainen)**

Kosteus-lämpötila-anturi asennetaan löylyhuoneen seinään takalauteen yläpuolelle. Etäisyyttä saunahuoneen kattoon on oltava noin 15 cm. Noudata anturin asennusohjetta.



---

Kosteus-lämpötila-anturiin on saatavissa valinnainen puukotelo.

---

#### **4.8. Laudeanturin F2 asentaminen (valinnainen)**

Laudeanturi asennetaan saunahuoneen seinään takalauteen yläpuolelle. Etäisyyttä saunahuoneen kattoon on oltava noin 15 cm.

Asenna laudeanturi tekemällä seuraavat työvaiheet:

1. Poraä löylyhuoneen seinään reikä 8 mm -poranterällä.
2. Vedä 2-napainen laudeanturijohto reiän läpi.
3. Kiinnitä anturikotelo mukana toimitetuilla puuruuveilla.
4. Vedä 2-napainen kiuasanturijohto teho-osaan ja kiinnitä laudeanturijohto paikalleen johtokiinnittimillä.
5. Tarkasta, että laudeanturi on kiinnitetty hyvin.

#### **4.9. Kosteusanturin WC4-H-H asentaminen (valinnainen)**

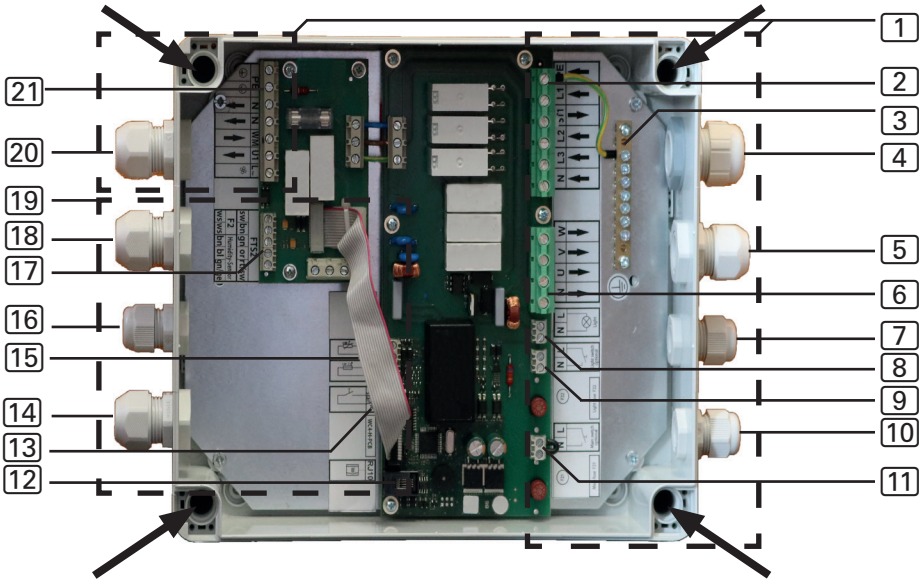
Kosteusanturi tulee asentaa keskelle kauimpana kiukaasta sijaitsevaa sivuseinää n. 150 cm:n korkeudelle (Kuva. 3 sivulla 15).

Asenna kosteusanturi tekemällä seuraavat työvaiheet:

1. Poraä löylyhuoneen seinään reikä 8 mm -poranterällä.
2. Vedä 3-napainen kosteusanturijohto reiän läpi.
3. Kiinnitä anturikotelo mukana toimitetuilla puuruuveilla.
4. Vedä 3-napainen kosteusanturijohto teho-osaan ja kiinnitä kosteusanturijohto paikalleen johtokiinnittimillä.
5. Tarkasta, että kosteusanturi on kiinnitetty hyvin.



## 5. Sähköliitännät



**Kuva. 4: Sähköliitännät**

- |    |   |    |  |
|----|---|----|--|
| 1  | 230 V / 400 V -liitännäalueet                 | 12 | RJ10-liitin hallintalaitteen datakaapelille                                |
| 2  | Syöttöjohdon riviliitin                       | 13 | Etäkäynnistyksen riviliitin  |
| 3  | Maadoituskisko                                | 14 | Johtoläpivienti RJ10-datakaapelille, F1/ F2-anturille ja etäkäynnistyksele |
| 4  | syöttöjohdon johtoläpivienti                  | 15 | F1-anturin riviliitin  |
| 5  | kiukaan johdon johtoläpivienti                | 16 | Johtoläpivienti WC4-H-H / FTS2-anturille                                   |
| 6  | Kiuasjohdon riviliitin                        | 17 | F2 / WC4-H-H / FTS2-anturin riviliitin                                     |
| 7  | Valon ja teholaajennuksen johtoläpivienti     | 18 | Tuulettimen johtoläpivienti  |
| 8  | Valon riviliitin                              | 19 | Pienjännitteen liitännäalue  |
| 9  | Valokyttimeen riviliitin                      | 20 | Höyrystinjohdon johtoläpivienti  |
| 10 | Valokyttimeen ja pääkyttimeen johtoläpivienti | 21 | Höyrystinjohdon ja tuulettimen riviliitin                                  |
| 11 | Pääkyttimeen riviliitin                       |    |  |



---

Noudata kohtia ”5. Sähköliitäntä” sivulla 17 ja ”7.1. Liitäntäkaavio – perusmoduuli” sivulla 23 ja ”7.2. Liitäntäkaavio – laajennuspiirilevy (valinnainen)” sivulla 24.

---

### 5.1. Syöttöjohdon ja kiukaan liittäminen

1. Vedä syöttöjohto ja kiukaan johto johtoläpivientien [4] ja [5] kautta 230 V / 400 V -liitäntäalueelle [1].
2. Liitä liitäntäjohdot vastaaviin riviliittimiin [2], [6]. Noudata tällöin kunkin laitteen käyttöohjeita.

### 5.2. Höyrystimen liittäminen (valinnainen)

1. Vedä höyrystinjohto (valinnainen laajennuspiirilevyn kanssa) johtoläpiviennin [20] kautta 230 V / 400 V -liitäntäalueelle [1].
2. Liitä liitäntäjohdot vastaaviin riviliittimiin [21]. Noudata tällöin höyrystimen käyttöohjeita.



---

Jos höyrystimessä ei ole automaattista vedenpuuteilmaisinta, yhdistä liitin ”U1” hyppylangalla liittimeen ”WM” tai muuta akustisen merkkiäänän asetusta (katso Sivu 32)

---

### 5.3. Hallintalaitteen liittäminen

1. Vedä hallintalaitteen liitäntäjohto johtoläpiviennin [14] läpi pienjännitteen liitäntäalueelle [19].
2. Työnnä RJ-10-johdon pistoke naarasliittimeen [12].



---

Saunaohjaimet wave.com4 11 kW mahdollistavat jopa 4 hallintalaitteen käyttämisen yhdessä teho-osassa. Käytä Y-adapteria valinnaisten hallintalaitteiden liittämiseen (katso ”3.3. Valinnaiset lisätarvikkeet” sivulla 9).

---

## 5.4. Ulkoisen pääkytkimen liittäminen

Pääkytkin ei sisälly toimituskokonaisuuteen.

1. Vedä pääkytkimen liitäntäjohto johtoläpiviennin [10] kautta 230 V / 400 V -liitäntäalueelle [1].
2. Liitä johto riviliittimeen [11]. Noudata tällöin kytkimen käyttöohjeita.



Toimitustilassa kontaktit on sillattu. Ota hyppylanka pois asennusta varten

## 5.5. Valon liittäminen

1. Vedä valojohto johtoläpiviennin [7] kautta 230 V / 400 V -liitäntäalueelle [1].
2. Liitä valojohto riviliittimeen [8]. Noudata tällöin kytkimen käyttöohjeita.

## 5.6. Ulkoisen valokytken liittäminen

Valokytken ei sisälly toimituskokonaisuuteen.

3. Vedä valokytken liitäntäjohto johtoläpiviennin [10] kautta 230 V / 400 V -liitäntäalueelle [1].
4. Liitä johto riviliittimeen [9]. Noudata tällöin kytkimen käyttöohjeita.

## 5.7. Tuulettimen (valinnainen) liittäminen

1. Vedä tuuletinjohto johtoläpiviennin [18] kautta 230 V / 400 V -liitäntäalueelle [1].
2. Liitä tuuletinjohto riviliittimeen [21]. Noudata tällöin tuulettimen käyttöohjeita.

## 5.8. Kiuasanturin F1 liittäminen

1. Vedä kiuasanturijohdot johtoläpiviennin **14** kautta pienjännitteen liitäntäalueelle **19**.
2. Liitä kiuasanturin punaiset johdot (STB) liittimiin, joissa on teksti **"R-R"**, riviliittimeen **15**.
3. Liitä kiuasanturin valkoiset johdot (F1) liittimiin, joissa on teksti **"W-W"**, riviliittimeen **15**.



Tahdistettu kostutuskäyttö yksianturikäytössä edellyttää Dummy-anturin asentamista (katso 5.12 sivulla 21).

## 5.9. Kosteus-lämpötila-anturin FTS2 liittäminen (valinnainen)

1. Vedä anturijohdot johtoläpiviennin **16** kautta pienjännitteen liitäntäalueelle **19**.
2. Liitä lämpötila-anturin johdot liittimiin, joissa on teksti **"FTS2: sw-br"**, riviliittimeen **17**.
  - a. Liitä musta johto liittimeen **"sw"**.
  - b. Liitä ruskea johto liittimeen **"br"**.
3. Liitä kosteusanturin johdot liittimiin, joissa on teksti **"FTS2: gn-or-rt"**, riviliittimeen **17**.
  - c. Liitä vihreä johto liittimeen **"gn"**.
  - d. Liitä oranssi johto liittimeen **"or"**.
  - e. Liitä punainen johto liittimeen **"rt"**.

## 5.10. Laudeanturin F2 liittäminen (valinnainen)

1. Vedä laudeanturijohdot johtoläpiviennin **14** kautta pienjännitteen liitäntäalueelle **19**.
2. Liitä laudeanturin johdot liittimiin, joissa on teksti **"F2: ws-ws"**, riviliittimeen **17**.



Tahdistettu kostutuskäyttö kaksianturikäytössä (F1 ja F2) edellyttää Dummy-anturin asentamista (katso 5.12 sivulla 21)

### 5.11. Kosteusanturin WC4-H-H liittäminen (valinnainen)

1. Vedä anturijohdot johtoläpiviennin [16] kautta pienjännitteen liitäntäalueelle [19].
2. Liitä kosteusanturin johdot liittimiin, joissa on teksti "WC4-H-H: br-bl-gn/ge", riviliittimeen [17].
  - a. Liitä ruskea johto liittimeen "br".
  - b. Liitä sininen johto liittimeen "bl".
  - c. Liitä keltainen/vihreä johto liittimeen "gn/ge".
3. Ota FTS2-hyppylanka pois (katso "7.1. Liitäntäkaavio – perusmoduuli" sivulla 23)



Kostutus käyttöä kosteusanturilla WC4-H-H voidaan käyttää myös ilman laudeanturia F2.

### 5.12. Dummy-anturin liittäminen (valinnainen)

1. Liitä oheinen dummy-anturi liittimiin, joissa on teksti "WC4-H-H: br-bl", riviliittimeen [17].

### 5.13. Teholaajennuksen liittäminen (valinnainen)

1. Vedä teholaaennuksen johto johtoläpiviennin [7] kautta 230 V / 400 V -liitäntäalueelle [1].
2. Liitä teholaaennuksen johto riviliittimeen [2] ja [3]. Käytä tällöin liitintä "ST1" turvapiirille (ST1) ja liitintä "V" ohjauspiirille (ST2). Noudata kulloisenkin laitteen käyttöohjeita.



Toimitustilassa liitin ST1 on tulpattu muoviruuvilla – tämä on mahdollisesti otettava pois.

### 5.14. Etäkäynnistyksen liittäminen

Liitäntä tehdään liittimillä "Remote start", jotka ovat pienjännitteen liitäntäalueella [19].

Lähtevä +12V DC täytyy johtaa kytkimen (jatkuva kontakti) kautta takaisin liittimeen. Päälle voidaan kytkeä viimeksi käytössä ollut käyttötapa.

## 5.15. Asennuksen viimeistely

1. Liitä syöttöjohdon ja kaikkien laitteiden maadoitusjohtimet maadoituskiskoon **3**.
2. Sulje teho-osa.

## 6. Tarkastukset

Seuraavat tarkastukset täytyy teettää hyväksytyllä sähköasentajalla.



### **VAROITUS!**

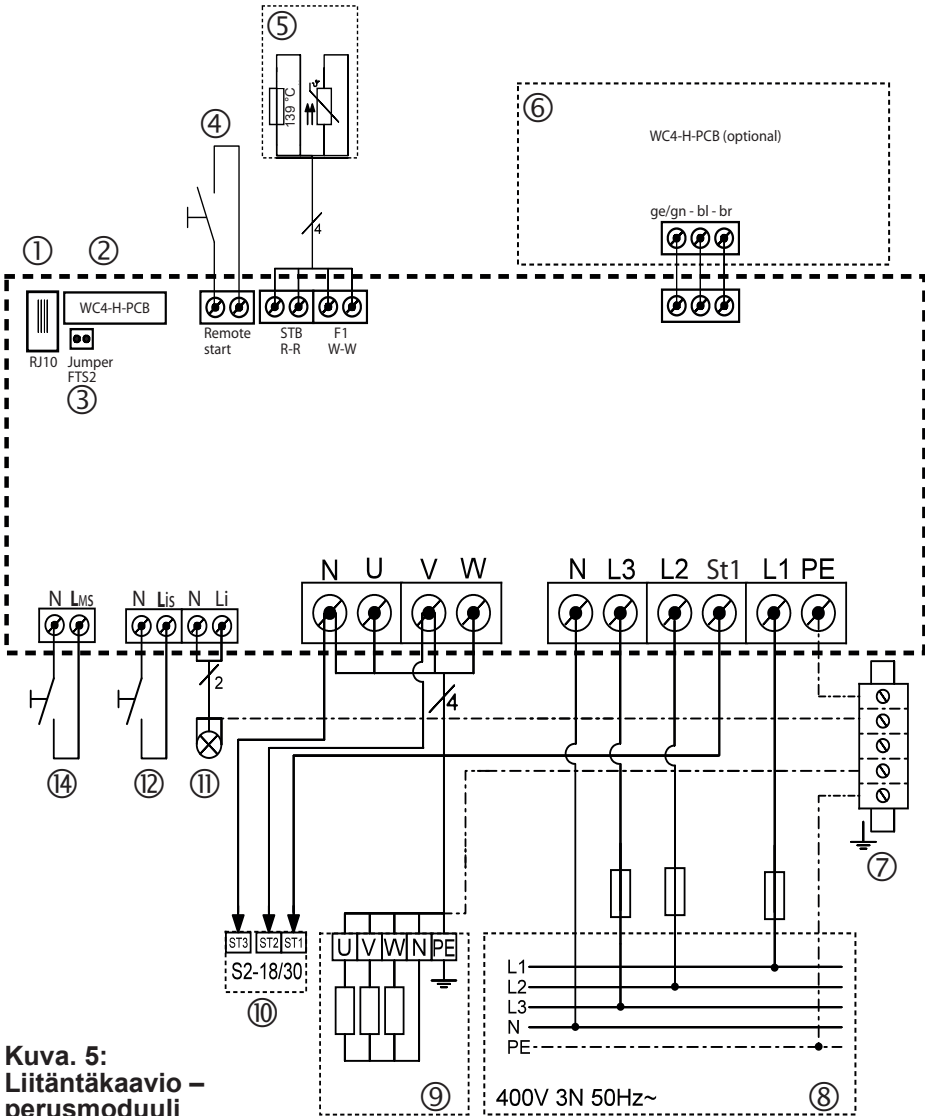
***Seuraavat tarkastukset suoritetaan, kun virransyöttö on päällä. Sähköiskuvaara.***

- ÄLÄ KOSKAAN kosketa sähköä johtavia osia.

1. Tarkasta maadoitusjohtojen kosketus maadoitusjohdinliittimeen.
2. Tarkasta kiuasanturin F1 ylikuumenemissulake.
  - a. Kytke saunaohjain päälle.
  - b. Avaa kiuasohjain ja irrota toinen punaisista kiuasanturin johdoista.
    - ▶ Näytössä näkyy ”-30” ja kaikki symbolit vilkkuvat
    - ▶ Ohjain kytkee kiukaan pois päältä.
  - c. Kytke saunaohjain pääkytkimellä pois päältä.
  - d. Liitä punainen kiuasanturin johto takaisin paikalleen.
  - e. Irrota nyt toinen valkoisista kiuasanturin johdoista.
  - f. Kytke saunaohjain päälle.
    - ▶ Näytössä näkyy ”-21” ja kaikki symbolit vilkkuvat
    - ▶ Ohjain kytkee kiukaan pois päältä.
  - g. Kytke saunaohjain pääkytkimellä pois päältä.
  - h. Liitä valkoinen kiuasanturin johto takaisin paikalleen.
3. Tarkasta vaihekytkentä L1, L2, L3 – U, V, W.
4. Tarkasta suurin sallittu lämmitysteho 3,7 kW per vaihe.
5. valinnainen – laajennuspiirilevyllä: Tarkasta höyrystinkäytön vaihekytkentä L1, L2, L3 – U1, V, W.
6. Jos käytössä on valinnainen teholaajennus: Tarkasta ohjaimen johdot ST1, ST2 ja ST3.

## 7. Liitântäkaavio

### 7.1. Liitântäkaavio – perusmoduuli



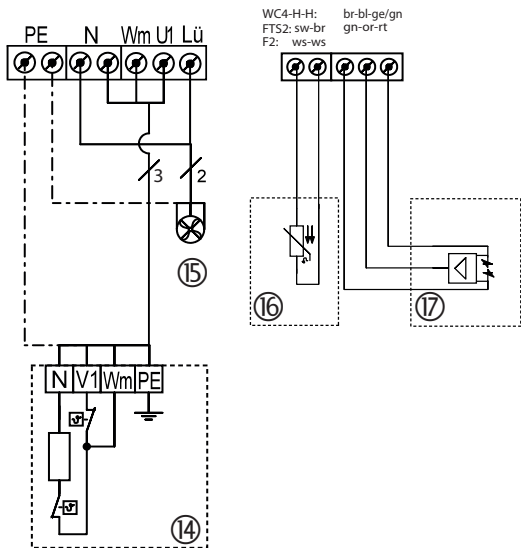
**Kuva. 5:**  
Liitântäkaavio –  
perusmoduuli

FI

Kiuas [kW]	Syöttöjohto Kiukaan syöttöjohto (kuumuudenkestävyys 150 °C:een asti)	Sulakkeet [A]
0 - 6,9	5 x 1,5 mm <sup>2</sup>	3 x 10
< 6,9 - 11	5 x 2,5 mm <sup>2</sup>	3 x 16

- |   |                                    |
|---|------------------------------------|
| ① RJ10-liitin hallintalaite                 | ⑨ Lämmitysjärjestelmä (maks.11 kW) |
| ② Laajennuspiirilevy                        | ⑩ Teholaajennus                    |
| ③ Hyppylanka FTS2                           | ⑪ Valo                             |
| ④ Etäkännistys                              | ⑫ Valokytkin                       |
| ⑤ Kiuasanturi ylikuumentamisulakkeella (F1) | ⑬ Pääkytkin                        |
| ⑥ Laajennuspiirilevy                        | ⑭ Höyrystin (maks. 3 kW)           |
| ⑦ maadoituskisko                            | ⑮ Tuuletin                         |
| ⑧ saunaohjaimen sähkönsyöttö                | ⑯ Laudeanturi (F2 / FTS2)          |
|   | ⑰ Kosteusanturi (WC4-H-H / FTS2)   |

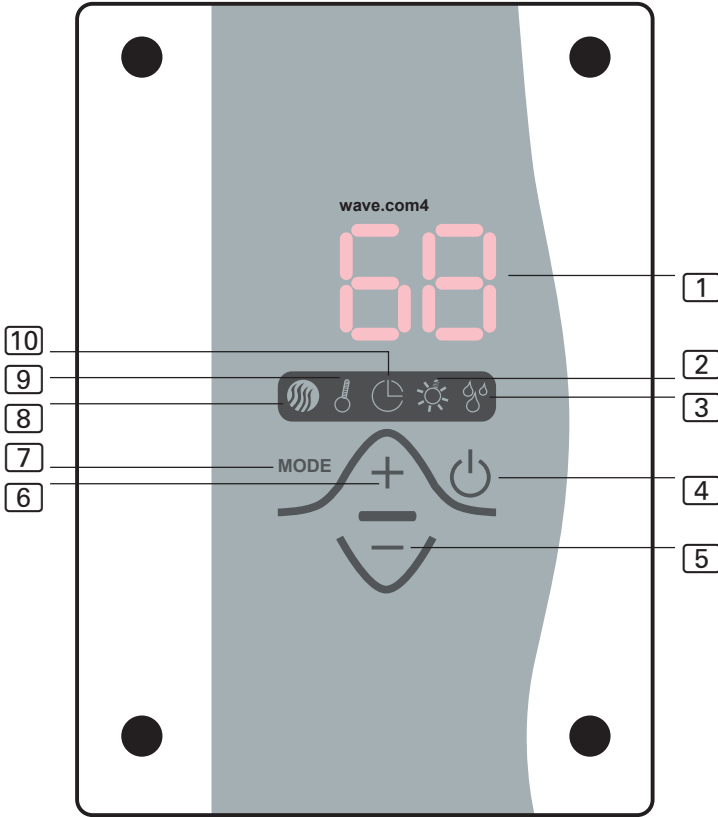
## 7.2. Liitântäkaavio – laajennuspiirilevy (valinnainen)



Kuva. 6: Liitântäkaavio – laajennuspiirilevy



## 8. Käyttö- ja näyttöelementti



1	Näyttö (3-paikkainen seitsensegmenttinäyttö)	6	Plus
2	Merkkivalo: <i>Valo</i>	7	Käyttötapa (asetukset)
3	Merkkivalo: <i>Kosteus</i>	8	Merkkivalo: <i>Valmiustila</i>
4	Päälle/pois	9	Merkkivalo: <i>Lämpötila</i>
5	Miinus	10	Merkkivalo: <i>Ajastin</i>

## 9. Käyttö

Noudata kohtaa ”8. Käyttö- ja näyttöelementti” sivulla 25.

### 9.1. Päällekytkentä

Kytke ohjain päälle kytkemällä ulkoinen pääkytkin (valinnainen) päälle.

- ▶ Merkkilamppu ”Standby”  palaa koko ajan.

### 9.2. Lämmitysajan asettaminen

Lämmitysaika voidaan asettaa tunteina (1 – 12).

Ohjauksen täytyy olla tätä ohjelmointia varten Standby-tilassa.

Paina samanaikaisesti 3 sekunnin ajan painikkeita päälle/pois  ja miinus .

- ▶ Näytössä  näkyy viimeksi asetettu aika vilkkuvana

Valitse haluamasi lämmitysaika painikkeilla miinus  / plus  (POIS, 1 – 12).

Vahvista valinta painikkeella päälle/pois , pääset suoraan kieliasetukseen (katso Sivü 26). Vahvista painamalla painiketta päälle/pois .

- ▶ Merkkilamppu ”Standby”  palaa.

### 9.3. Kielen asettaminen

Valittavissa on seuraavat kielet:

s, englanti, ranska, italia, hollanti

Ohjauksen täytyy olla tätä ohjelmointia varten Standby-tilassa.

Paina samanaikaisesti 3 sekunnin ajan painikkeita päälle/pois  ja miinus .

Näin pääset lämmitysajan valikkoon. Siirry Mode-painikkeella  kielivalikkoon.

Suorita tässä valintasi painikkeilla miinus  / plus .

Vahvista valintasi Mode-painikkeella .

## 9.4. Valon päälle kytkeminen (siivousvalo)

Löylyhuoneen valo (siivousvalo) voidaan kytkeä päälle ja pois ulkoisella valokytkimellä käyttötilasta riippumatta.

Löylyhuoneen valon (siivousvalo) voi kytkeä päälle ja pois painamalla hallintalaitteen painiketta päälle/pois [4]. (Ohjauksen täytyy olla tätä varten Standby-tilassa). Valo sammuu automaattisesti 5 minuutin kuluttua.

- ▶ Standby-merkkilamppu [8] vilkkuu = Standby-tila

Löylyhuoneen valoa voidaan himmentää. Ohjaimen on tätä varten oltava käytettävällä *FIN* tai *FEU* (katso ”9.12. Valon himmentäminen” sivulla 29).

## 9.5. Käyttötavan valinta

Valittavissa on seuraavat käyttötavat:

- Saunakäyttö ”*FIN*” (=vakio)
- Yhdistelmäkäyttö ”*FEU*”
- Siivousvalo ”*AUS*”

Paina painiketta päälle/pois [4] ja valitse haluamasi käyttötapa painikkeilla miinus [5] / plus [6].

## 9.6. Saunakäytön *FIN* käynnistäminen

Valitse käyttötapa *FIN*. Paina lopuksi lyhyesti päälle/pois-painiketta [4].

- ▶ Ohjain käynnistyy tämän käyttötavan viimeksi käytössä olevilla asetuksilla.
- ▶ Standby-merkkilamppu [8] ja lämpötila [9] palavat.

Valitse haluamasi lämpötila painikkeilla miinus [5] / plus [6] (< 110 °C)

- ▶ Näytössä [1] on muutaman sekunnin ajan haluttu lämpötila (ohjearvo), minkä jälkeen näyttöön tulee mitattu lämpötila (tosiarvo).

## 9.7. Saunakäytön *FIN* lopettaminen

Paina lyhyesti päälle/pois-painiketta **4**.

- ▶ Kiuas kytketään pois päältä.
- ▶ Merkkilamppu "Standby" **8** vilkkuu. Olet käyttötilassa **AUS**
- ▶ Valo (siivousvalo) palaa.

Kytke ohjain pois päältä painamalla lyhyesti päälle/pois-painiketta **4**

- ▶ Standby-merkkilamppu **8** vilkkuu = Standby-tila

## 9.8. Yhdistelmäkäytön *FEU* käynnistäminen

Valitse käyttötapa **FEU**. Paina lyhyesti päälle/pois-painiketta **4**.

- ▶ Ohjain käynnistyy tämän käyttötavan viimeksi käytössä olevilla asetuksilla.
- ▶ Standby-merkkilamppu **8** ja lämpötila **9** palavat.

Valitse haluamasi lämpötila painikkeilla miinus **5** / plus **6**.

- ▶ Näytössä **1** on muutaman sekunnin ajan haluttu lämpötila (ohjearvo), minkä jälkeen näyttöön tulee mitattu lämpötila (tosiarvo).

Paina Mode-painiketta **7**, kunnes merkkilamppu kosteus **8** palaa.

Valitse haluamasi kosteus painikkeilla miinus **5** ja plus **6** (< 70 °C katso "Kuva. 1: Tunnuskuvaaja: kosteusarvo lämpötilan mukaan" sivulla 11)

- ▶ Näytössä **1** näkyy haluttu kosteus (ohjearvo).  
Kun asennettuna on kosteusanturi (valinnainen), näyttöön ilmestyy muutaman sekunnin kuluttua mitattu kosteus (tosiarvo).

## 9.9. Yhdistelmäkäytön *FEU* lopettaminen

Paina lyhyesti päälle/pois-painiketta **4**.

- ▶ Kiuas ja höyrystin kytketään pois päältä.
- ▶ Merkkilamppu "Standby" **8** vilkkuu. Olet käyttötilassa **AUS**
- ▶ Valo (siivousvalo) palaa.

Kytke ohjain pois päältä painamalla lyhyesti päälle/pois-painiketta **4**

- ▶ Standby-merkkilamppu **8** vilkkuu = Standby-tila

## 9.10. Jälkikuivausohjelman keskeyttäminen

Yhdistelmäkäytön jälkeen jälkikuivausohjelma käynnistyy automaattisesti. Näytössä [1] näkyy teksti "dry" ja kosteuden merkkilamppu vilkkuu. Jälkikuivausohjelman mahdolliset asetukset, katso ”**Jälkikuivausohjelman asettaminen**” sivulla 33

- ▶ Paina samanaikaisesti n. 3 sekunnin ajan painikkeita päälle/pois [4] ja miinus [5]



Jotta homeen ja lahon muodostuminen voidaan estää, jälkikuivaustoimintoa EI pidä keskeyttää.

## 9.11. Ajastimen asettaminen

Ajastin voidaan asettaa minuutteina (0 – 99). Akustinen merkkiääni (summeri on teho-osassa) kuuluu, kun aika on kulunut.

Paina Mode-painiketta [7], kunnes ajastimen merkkilamppu [10] palaa. Valitse haluamasi aikaväli painikkeilla miinus [5] / plus [6].

- ▶ Näytössä [1] näkyy jäljellä oleva aika.

## 9.12. Valon himmentäminen

Löylyhuoneen valoa voidaan himmentää. Ohjaimen on tätä varten oltava käytössä *FIN* tai *FEU*.

Paina Mode-painiketta [7], kunnes merkkilamppu valo [2] palaa.

- ▶ Valitse löylyhuoneen valon haluamasi intensiteetti painamalla pitkään painiketta miinus [5] tai plus [6].
- ▶ Painamalla plus-painiketta [6] lyhyesti kytket löylyhuoneen valon täysille (100).
- ▶ Painamalla miinus-painiketta [5] lyhyesti sammutat löylyhuoneen valon (0).



Kun ulkoinen valokytkin on kytketty päälle, löylyhuoneen valo palaa aina täydellä teholla. Jos haluat himmentää valoa hallintalaitteen avulla, ulkoisen valokytkimen täytyy olla POIS-asennossa.

### 9.13. Ajastimen asettaminen

Esivalinta-aika voidaan asettaa tunteina (1 – 24).

Ohjauksen täytyy olla tätä varten Standby-tilassa.

Paina samanaikaisesti 3 sekunnin ajan painikkeita päälle/pois [4] ja plus [6].

- ▶ Näytössä [1] näkyy viimeksi asetettu aika vilkkuvana

Valitse haluamasi esivalinta-aika painikkeilla miinus [5] / plus [6] (POIS, 1 – 24).

Siirry Mode-painikkeella [7] haluamaasi käyttötapaan *FIN* tai *FEU* ja vahvista valintasi painikkeella päälle/pois [4].

- ▶ Näytössä [1] näkyy valittu esivalinta-aika
- ▶ Merkkilamput Standby [8] ja ajastin [10] palavat.

Valittu käyttötapa käynnistyy, kun asetettu aika on kulunut.



Sähkökatkos tai manuaalinen päällekytkeminen poistaa esivalinta-ajan käytöstä.

### 9.14. ECO-tila

ECO-tila mahdollistaa saman lämpötilan palauttamisen tauon jälkeen.

Valittavissa on seuraavat käyttötavat:

- ECO20 tarkoittaa 20 minuutin taukoa saunomisessa
- ECO40 tarkoittaa 40 minuutin taukoa saunomisessa
- ECO60 tarkoittaa 60 minuutin taukoa saunomisessa

Ohjaimen on tätä varten oltava käyttötavalla *FEU*.

Paina Mode-painiketta [7], kunnes merkkilamppu lämpötila [9] palaa.

- ▶ Näytössä [1] näkyy valittu lämpötila
- ▶ Merkkilamput Standby [8] ja lämpötila [9] palavat

Paina samanaikaisesti 3 sekunnin ajan painikkeita plus [6] ja miinus [5].

Valitse painikkeilla miinus [5] / plus [6] haluamasi ECO-tila (POIS, E20, E40, E60).

Vahvista valintasi painikkeella Mode [7]. Tauko on näin käynnistetty.

## 9.15. Valmiustila etäkytkennän aktivoimiseksi

Standardin EN 60335-2-53 mukaan etäkäynnistystoiminnolla varustetut saunaohjaimet täytyy kytkeä manuaalisesti käyttötilaan ”Valmiustila etäkytkennän aktivoimiseksi”. Tämä aktivointi täytyy tehdä uudelleen joka kerta, kun kiuas on etäkytketty päälle tai pois. Tee sitä varten seuraavat vaiheet:

Varmista, että saunaohjain on valmiustilassa.

Paina n. 3 sekuntia samanaikaisesti päälle/pois-painiketta [4] ja Mode-painiketta [7].

- ▶ Näytössä [1] vilkkuu ”rc” (remote control).
- ▶ Saunaohjaus on nyt valmis käynnistettäväksi ja pysäytettäväksi etäkäynnistys-signaalilla.
- ▶ Kun kiuas on etäkytketty päälle ja pois, näyttö ”rc” ja etäkytkentäsymboli sammuvat ja käyttötavan aktivointi on tehtävä uudelleen.



”Etäkäynnistyksen valmiustila” -toiminnon keskeyttämiseksi paina n. 3 sekuntia päälle/pois-painiketta [4].

## 9.16. Etäkäynnistyksen vapautus

Etäkäynnistyksen vapautuksella valitaan etäkäynnistyslähdön toiminto (noudata standardia EN60335-2-53). Liitäntä: katso ”5.14. Etäkäynnistyksen liittäminen” sivulla 21

- Standardina etäkäynnistyksen vapautuksen asetus on tilassa POIS. Etäkäynnistys aktivoidaan toiminnolla ”Valmiustila etäohjaukseen”.
- Jos haluat vapauttaa etäkäynnistyslähdön eril. laitteille (kuten esim. kolikko-ohjain, etäkäynnistysjärjestelmä, ovivalvontalaite), menettele seuraavalla tavalla:

Ohjauksen täytyy olla tätä ohjelmointia varten Standby-tilassa.

Paina samanaikaisesti 3 sekunnin ajan painikkeita päälle/pois [4] ja miinus [5].

Näin pääset lämmitysajan valikkoon.

Siirry Mode-painikkeella [7] kielivalikkoon.

Siirry Mode-painikkeella [7] etäkäynnistyksen vapautukseen.

Suorita tässä valintasi painikkeilla miinus [5] / plus [6].

Vahvasta valintasi Mode-painikkeella [7].

## 9.17. Lisähallintalaitteen aktivointi

Hallintalaitteita voidaan liittää jopa neljä kappaletta (katso ”5.3. Hallintalaitteen liittäminen” sivulla 18).

Kytke ohjain päälle (merkkilamppu Standby **[8]** palaa).

Irrota lisähallintalaitteen datakaapeli. Pidä irrotetun hallintalaitteen painikkeet miinus **[5]** ja plus **[6]** painettuina ja liitä datakaapeli samanaikaisesti takaisin.

► Näytössä **[1]** vilkkuu viimeksi asetettu väyläosoite

Valitse painikkeilla miinus **[5]** / plus **[6]** haluamasi väyläosoite (0 – 3).

Vahvista valintasi Mode-painikkeella **[7]**.

Huomaa, että tämän muutoksen tekemisen jälkeen ohjain täytyy kytkeä pois päältä 10 sekunnin ajaksi, jotta asetukset tallentuvat.



Jos käytät useita hallintalaitteita, sinun on annettava jokaiselle hallintalaitteelle väyläosoite. Osoite 0 on vakioarvo. Jokaista osoitetta (0 – 3) voi käyttää vain kerran.

## 9.18. Akustisen merkkiäänän asettaminen

Akustinen merkkiääni voidaan asettaa seuraavia toimintoja varten:

Ohjaimen on tätä varten oltava käytössä *FIN* tai *FEU*.

Paina painiketta Mode **[7]**, kunnes merkkilamppu aika **[10]** palaa.

► Näytössä **[1]** vilkkuu asetetun toiminnon arvo

Valitse haluamasi arvo painikkeilla miinus **[5]** / plus **[6]**.

Vahvista valintasi Mode-painikkeella **[7]**.

Arvo	Toiminto	Toimintokuvaus
0	Hiljainen	ei äänimerkkiä
1	Ajastin	Ajastin aktivoituna, kun aikaa on kulunut 1 s
2	Vesipula	Jatkuva äänimerkki vesipulan vallitessa
3	Ajastin + vedenpuute	molemmat toiminnot aktivoitu (=vakio)



## 9.19. Näytön vaihtumisen päälle kytkeminen

Näytön vaihtuminen saa aikaan sen, että näytössä [1] vuorottelevat lämpötila ja kosteus (valinnainen) (10 sekunnin välein)

Ohjaimen on tätä varten oltava käytettävällä *FIN* tai *FEU*.

Paina Mode-painiketta [7], kunnes merkkilamppu valo [2] palaa.

Paina samanaikaisesti 3 sekunnin ajan painikkeita miinus [5] ja plus [6].

- ▶ Näytössä [1] vilkkuu POIS (=vakio)

Vaihda se painikkeella plus [6] tilaan PÄÄLLÄ. Vahvista valintasi Mode-painikkeella [7].

- ▶ Merkkilamppu "Standby" [8] palaa.

## 9.20. Jälkikuivausohjelman asettaminen

Jälkikuivausohjelman kestoa ja lämpötilaa voidaan säätää.

Ohjaimen on tätä varten oltava käytettävällä *FEU*.

Paina Mode-painiketta [7], kunnes merkkilamppu kosteus [3] palaa.

Paina samanaikaisesti 3 sekunnin ajan painikkeita plus [6] ja miinus [5].

- ▶ Näytössä [1] vilkkuu 0 (=vakio)

Nyt painikkeilla plus / miinus voidaan tarvittaessa korjata näytettyä lämpötila-arvoa (-9 ... +9).

Paina painiketta Mode [7]

- ▶ Merkkilamput Standby [8], ajastin [10] ja kosteus [3] palavat.
- ▶ Näytössä [1] vilkkuu lämmityksen ja tuulettimen asetettu jälkikuivausaika (0 – 120 min; 15 min.=vakio)

Valitse haluamasi arvo painikkeilla miinus [5] / plus [6].

Paina painiketta Mode [7]

- ▶ Merkkilamput Standby [8] ja ajastin [10] palavat.
- ▶ Näytössä [1] vilkkuu jälkikuivauksen asetettu aika ilman lämmitystä mutta tuulettimen kanssa (0 – 30 min; 15 min.=vakio)

Valitse haluamasi arvo painikkeilla miinus [5] / plus [6].

Paina painiketta Mode [7]

- ▶ Merkkilamput Standby [8] ja lämpötila [9] palavat.
- ▶ Näytössä [1] vilkkuu jälkikuivauksen asetettu lämpötila (70 – 90 °C; 80 °C=vakio)

Valitse haluamasi arvo painikkeilla miinus [5] / plus [6].

Vahvista valintasi painikkeella PÄÄLLE/POIS [4].

## 9.21. Saunaohjaimen kytkeminen pois päältä

Jos et käytä saunaohjainta pitkään aikaan, kytke saunaohjain pois päältä pää-kytkimellä [11].

# 10. Puhdistus ja huolto

## 10.1. Puhdistus

### HUOMIO!

#### *Laitteen vauriot*

Saunaohjain on roiskeveesisuojattu, mutta laite voi kuitenkin vaurioitua joutuessaan suoraan kosketukseen veden kanssa.

- ÄLÄ KOSKAAN upota laitetta veteen.
- Älä kaada laitteen päälle vettä.
- Älä puhdista laitetta liian kostealla liinalla.

1. Kasta puhdistusliina mietoon saippualliuokseen.
2. Väännä puhdistusliina kuivaksi.
3. Pyyhi saunaohjaimen kotelo varovasti puhtaaksi.

## 10.2. Huolto

Saunaohjainta ei tarvitse huoltaa.

# 11. Hävittäminen



- Hävitä pakkausmateriaali voimassa olevien määräysten mukaisesti.
- Laiteromussa on kierrätettäviä materiaaleja, mutta myös haitallisia aineita. Älä siis missään tapauksessa hävitä laiteromua sekajätteen mukana, vaan hävitä laite paikallisten voimassa olevien määräysten mukaisesti.

## 12. Ongelmanratkaisu

### 12.1. Virheilmoitukset

Saunaohjaimessa on diagnoosiohjelmisto, joka tarkistaa järjestelmän tiloja päällekytkennän ja käytön aikana. Saunaohjain kytkee kiukaan pois päältä heti, kun diagnoosiohjelmisto havaitsee virheen.

Toimintosymbolit vilkkuvat näytössä **1**, ja näkyvissä on virhenumero. Kytke saunaohjain pois päältä pääkytkimellä ja korjaa virhe, ennen kuin kytket saunaohjaimen uudelleen päälle.

Seuraavassa taulukossa on kuvattu mahdolliset virheet ja niiden aiheuttajat. Ilmoita virheen numero tarvittaessa asiakaspalveluun.

Virhe nro	Kuvaus	Korjaaminen/syy
-5	Hallintalaitetta ei ole liitetty.	Hallintalaitetta ei ole liitetty tai kosketus on huono.
-10	Hallintalaitetta ei enää ole liitettynä, vaikka käynnistämisen yhteydessä tunnistettiin vähintään yksi.	Tarkista hallintalaitteen kosketus.
-21	Kiukaan lämpötila-anturi murtunut.	Lämpötila-anturi on viallinen tai sen kosketus on huono.
-22	Oikosulku kiukaan lämpötila-anturissa.	Lämpötila-anturi on viallinen tai siinä on oikosulku.
-24	Lauteen lämpötila-anturi murtunut.	Lämpötila-anturi on viallinen tai sen kosketus on huono.
-25	Oikosulku lauteen lämpötila-anturissa.	Lämpötila-anturi on viallinen tai siinä on oikosulku.
-26	Kosteusanturi murtunut.	Kosteusanturi on viallinen tai se on liitetty huonosti/väärin.
-27	Oikosulku kosteusanturissa.	Kosteusanturi on viallinen tai se on liitetty huonosti/väärin tai siinä on oikosulku.
-30	Termosulake viallinen.	Kiugasanturi viallinen, kosketus on huono tai termosulaketta ei ole liitetty.

## 12.2. Sulakkeet

Elektroniikan ja valon sulakkeet sijaitsevat perusmoduulin liitäntäalueella. Niitä voi tilata tuotenumeroilla 1-30-174 (10 kpl.).

Laajennuspiirilevyllä on tuulettimen sulake.

## 12.3. Lämpötilankorjaus

Näytössä näkyvää lämpötila-arvoa voi korjata.

Tämä on mahdollista välillä  $-9\text{ °C}/+9\text{ °C}$ .

Ohjaimen on tätä varten oltava käytettävällä *FIN*.

Paina Mode-painiketta [7], kunnes merkkilamppu lämpötila [9] palaa.

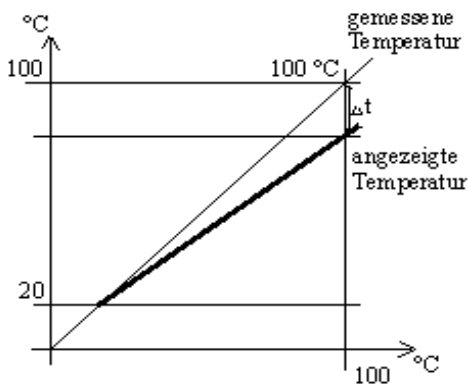
Paina samanaikaisesti 3 sekunnin ajan painikkeita plus [6] ja miinus [5].

► Näytössä [1] vilkkuu POIS

Paina samanaikaisesti 3 sekunnin ajan painikkeita PÄÄLLE/POIS [4] ja Mode [7].

► Näytössä [1] vilkkuu 0 (=vakio)

Nyt näytettyä lämpötila-arvoa voidaan korjata painikkeilla plus [6] ja miinus [5] ( $\Delta t$ :  $-9 \dots +9\text{ °C}$ ).



Kuva. 7: Lämpötilankorjaus

## 13. Tekniset tiedot

### ***Ympäristövaatimukset***

---

Varastointilämpötila:	-25 °C ... +70 °C
Ilmankosteus:	maks. 95 % ei-tiivistyvä

### ***Teho-osa***

---

Mitat (L x K x S):	320 x 220 x 110 mm
Ympäristön lämpötila:	0 °C ... +50 °C
Kytkenäjäännite / kolmivaiheinen 3N:	400 V AC
Taajuus:	50 Hz
Kytkenäjäteho/lämmityslaite:	3 x 3,7 kW
Kytkenäjävirta per vaihe/lämmityslaite:	16 A
Kytkenäjäteho / höyrystin (valinnainen):	3 kW
Kytkenäjävirta / höyrystin (valinnainen):	16 A
Kotelointiluokka:	IP65
Sulake:	1 A T

Liitetään syöttöverkkoon kiinteällä johdotuksella (kiinteä asennus)

### ***Hallintalaite***

---

Liitäntäjohto:	RJ10 – 4-napainen
Mitat (L x K x S):	92 x 120 x 44,5 mm
Ympäristön lämpötila:	0 °C ... +100 °C
Asennusaukko (Ø x S):	Ø 70 x 35 mm
Kotelointiluokka:	IP54

### ***Valo***

---

Kytkenäjäteho:	100 W
Sulake:	1 A T

### ***Tuuletin***

---

Kytkenäjäteho:	100 W
Sulake:	4 A T

---

**Säätöalueet**

---

Lämpötila:	30 °C ... 110 °C
Kosteus:	30 % ... 99 %

Suurin asetettava kosteus riippuu saunan lämpötilasta. Mitä korkeampi lämpötila, sitä vähäisempi on suurin asetettava kosteusarvo.

---

**Terminen turvallisuus**

---

Kiuasanturi, jossa ylikuumenemissulake (139 °C sammutuslämpötila)  
Automaattinen lämmitysajan rajoitus asetettavissa (1 – 12 tuntia)\*  
Valinnaisena yksianturi- tai kaksianturikäyttö

---

**Liitäntäjohdot**

---

Anturijohdot (kuumuudenkestävyys 150 °C:een asti):	0,5 mm <sup>2</sup>
Valojohto:	1,5 mm <sup>2</sup>
Tuuletinjohto:	1,5 mm <sup>2</sup>

\* Standardin EN 60335-2-53 mukaan yksityissaunojen lämmitysajan saa rajoittaa 6 tuntiin. Hotelleissa, kerrostaloissa ja vastaavissa paikoissa lämmitysajan saa rajoittaa 12 tuntiin.

# Блок управления сауной

## wave.com4 11 кВт

ИНСТРУКЦИЯ ПО МОНТАЖУ И ЭКСПЛУАТАЦИИ  
Русский



WC4-B-D/W/S



WC4-B-11

wave.com 4, базовый модуль, 11 кВт

1-049-633 / WC4-B-11

wave.com 4, панель управления, темное дерево

1-008-128 / WC4-B-D

wave.com 4, панель управления, черная

1-010-433 / WC4-B-S

wave.com 4, панель управления, белая

1-010-433 / WC4-B-W

RU

# Содержание

<b>1. Информация к настоящему документу</b>	<b>5</b>
<b>2. Важные указания по безопасности</b>	<b>6</b>
2.1. Использование по назначению	6
2.2. Инструкции по технике безопасности для лица, выполняющего установку	7
2.3. Инструкции по технике безопасности для пользователя	8
<b>3. Описание изделия</b>	<b>9</b>
3.1. Комплект поставки	9
3.2. Не входит в комплект поставки	9
3.3. Дополнительное оснащение	9
3.4. Функции изделия	10
3.5. Режимы работы сауны	11
3.6. Режимы работы с датчиками	11
<b>4. Монтаж</b>	<b>13</b>
4.1. Монтаж блока питания	13
4.2. Монтаж главного выключателя	13
4.3. Монтаж освещения кабины / выключателя освещения	13
4.4. Монтаж платы расширения (дополнительно)	14
4.5. Монтаж панели управления	14
4.6. Установка датчика нагревателя F1 с термopредохранителем	15
4.8. Монтаж датчика скамейки F2 (дополнительно)	16
4.9. Монтаж датчика влажности WC4-H-H (дополнительно)	16
4.7. Монтаж датчика влажности и температуры FTS2 (дополнительно)	16
<b>5. Подключение к электрической сети</b>	<b>17</b>
5.1. Подключение питающего кабеля и нагревателя	18
5.2. Подключение испарителя (дополнительно)	18
5.3. Подключение панели управления	18



5.4.	Подключение внешнего главного выключателя.....	19
5.5.	Подключение осветительного прибора.....	19
5.6.	Подключение внешнего выключателя освещения.....	19
5.7.	Подключение вентилятора (дополнительно).....	19
5.8.	Подключение датчика нагревателя F1.....	20
5.9.	Подключение датчика влажности и температуры FTS2 (дополнительно).....	20
5.10.	Подключение датчика скамейки F2 (дополнительно).....	20
5.11.	Подключение датчика влажности WC4-H-H (дополнительно).....	21
5.12.	Подключение вспомогательного датчика (дополнительно).....	21
5.13.	Подключения блока увеличения мощности (дополнительно).....	21
5.14.	Подключение дистанционного пуска .....	21
5.15.	Завершение установки.....	22
<b>6.</b>	<b>Выполнение испытаний и проверок.....</b>	<b>22</b>
<b>7.</b>	<b>Схема подключения.....</b>	<b>23</b>
7.1.	Схема подключения базового модуля.....	23
7.2.	Схема подключения платы расширения (дополнительно).....	24
<b>8.</b>	<b>Элемент управления и индикации.....</b>	<b>25</b>
<b>9.</b>	<b>Эксплуатация.....</b>	<b>26</b>
9.1.	Включение.....	26
9.2.	Настройка времени нагрева.....	26
9.3.	Настройка языка.....	26
9.4.	Включение освещения (свет для очистки).....	27
9.5.	Выбор режима эксплуатации.....	27
9.6.	Запуск режима сауны <b>FIN</b> .....	<b>27</b>
9.7.	Выключение режима сауны <b>FIN</b> .....	<b>28</b>
9.8.	Запуск комбинированного режима <b>FEU</b> .....	<b>28</b>
9.9.	Выключение комбинированного режима <b>FEU</b> .....	<b>28</b>
9.10.	Прерывание программы доп. сушки.....	29

9.11. Настройка таймера.....	29
9.12. Приглушение света.....	29
9.13. Установка таймера.....	30
9.14. Режим ECO.....	30
9.15. Включение режима ожидания для дистанционного управления .....	31
9.16. Разблокировка дистанционного запуска.....	31
9.17. Активация дополнительной панели управления.....	32
9.18. Установка акустического сигнала.....	32
9.19. Включение смены дисплея.....	33
9.20. Установка программы доп. сушки.....	33
9.21. Выключение блока управления сауной.....	34
<b>10. Очистка и техническое обслуживание.....</b>	<b>34</b>
10.1. Очистка.....	34
10.2. Техническое обслуживание.....	34
<b>11. Утилизация.....</b>	<b>34</b>
<b>12. Устранение неполадок.....</b>	<b>35</b>
12.1. Сообщения об ошибках.....	35
12.2. Предохранители.....	36
12.3. Коррекция температуры.....	36
<b>13. Технические характеристики.....</b>	<b>37</b>

# 1. Информация к настоящему документу

Внимательно прочитайте инструкцию по монтажу и эксплуатации. Хранить настоящий документ рядом с блоком управления сауной, так как он содержит информацию, необходимую для безопасной эксплуатации устройства.



Эта инструкция по монтажу и эксплуатации также доступна в разделе «Download» на веб-сайте [www.sentiotec.com/downloads](http://www.sentiotec.com/downloads).

## *Предупреждающие знаки*

Операции, представляющие опасность, отмечены в настоящей инструкции предупреждающими знаками. Обязательно соблюдать указания соответствующих знаков, чтобы избежать повреждений оборудования и травм, которые в самом неблагоприятном случае могут привести к смерти.

Предупреждающие знаки также снабжены сигнальными словами, означающими следующее:



### **ОПАСНО!**

Несоблюдение соответствующего указания приводит к серьезным или смертельным травмам.



### **ПРЕДУПРЕЖДЕНИЕ!**

Несоблюдение соответствующего указания может привести к серьезным или смертельным травмам.



### **ОСТОРОЖНО!**

Несоблюдение соответствующего указания может привести к легким травмам.

## **ВНИМАНИЕ!**

Означает возможность повреждения оборудования.

## *Другие знаки*



Этим знаком обозначены рекомендации и полезные советы.

## 2. Важные указания по безопасности

Блок управления для саун wave.com 4 11 кВт сконструирован в соответствии с требованиями регламентов, принятых в отношении техники безопасности. Тем не менее, при эксплуатации этого устройства могут возникать опасные ситуации. Поэтому необходимо следовать соответствующим указаниям по технике безопасности и специальным предупреждениям, содержащимся в инструкции по монтажу и эксплуатации. Кроме того, необходимо соблюдать указания по технике безопасности для подключенного оборудования.

### 2.1. Использование по назначению

Блок управления wave.com 4 11 кВт предназначен для управления и регулировки функций в соответствии с техническими характеристиками.

Блок управления разрешается использовать исключительно для управления и регулировки трех нагревательных контуров, мощность каждого из которых не должна превышать 3,7 кВт.

При использовании дополнительной платы расширения wave.com 4 (WC4-N-PCB) максимальная мощность испарителя составляет 3,0 кВт.

Согласно EN 60335-2-53 блок управления сауной можно использовать дистанционно только для управления и регулирования нагревателями в тех саунах, которые прошли проверку перекрытия согласно абзацу 19.101. В качестве альтернативы должно быть установлено соответствующее устройство защитного отключения (например, устройство контроля двери, устройство защитного отключения).

Любое иное использование считается использованием не по назначению. Использование не по назначению может привести к повреждению изделия, серьезным травмам или смертельному исходу. Гарантия не действует, если устройство не используется по назначению.

## **2.2. Инструкции по технике безопасности для лица, выполняющего установку**

- Разрешается выполнять работы по электрическому подключению исключительно специалистам-электрикам или лицам с аналогичной квалификацией. Внимание: при оформлении претензии по гарантии предъявить копию платежного документа поставщика электромонтажных услуг.
- Работы с блоком управления сауной выполнять исключительно на обесточенном оборудовании.
- Эксплуатирующая сторона должна обеспечить наличие устройства с отключением по всем полюсам в соответствии с категорией перенапряжения III.
- Блок питания wave.com 4 11 кВт (WC4-B-11) следует устанавливать с учетом технических данных.
- Панель управления может быть установлена внутри и снаружи сауны, однако необходимо соблюдать условия прилагаемой инструкции по монтажу и эксплуатации
- Соблюдать также требования регламентов, действующих в месте установки блока управления.
- При возникновении проблем, которые не удается устранить, используя информацию руководства по монтажу, обратиться к поставщику устройства.

### **2.3. Инструкции по технике безопасности для пользователя**

- Запрещается использовать блок управления детям младше 8 лет.
- Детям старше 8 лет, лицам с ограниченными физическими, умственными возможностями или с нарушениями работы органов чувств, а также лицам, не имеющим достаточно опыта или знаний, разрешается эксплуатировать блок управления только:
  - если они находятся под надзором;
  - если им было продемонстрировано безопасное обращение с блоком управления и они понимают опасности, которые могут возникнуть.
- Запрещается детям играть с блоком управления сауной.
- Дети, не достигшие 14 лет, могут только выполнять очистку блока управления под присмотром других лиц.
- Не следует посещать сауну лицам, находящимся под воздействием алкоголя, лекарственных или наркотических веществ, так как это может быть небезопасно для здоровья.
- Перед включением блока управления сауной убедиться, что на нагревателе сауны нет воспламеняющихся предметов.
- Перед включением таймера или режима ожидания, используемого для дистанционного запуска, убедиться, что на нагревателе сауны нет воспламеняющихся предметов.
- При возникновении проблем, которые не удастся устранить, используя информацию инструкции по эксплуатации, во избежание опасных ситуаций обратиться к поставщику устройства.

### 3. Описание изделия

Блок управления сауной wave.com 4 11 кВт — это блок управления сауной, состоящий из двух частей. Для этой функции необходим блок питания базового модуля (WC4-B-11), панель управления (WC4-B-S, WC4-B-D или WC4-B-W) и датчик нагревателя (WC4-B-F1D или WC4-B-F1H).

#### 3.1. Комплект поставки

- Блок питания (1-049-633 / WC4-B-11)
- Инструкция по монтажу и эксплуатации

#### 3.2. Не входит в комплект поставки

- Главный выключатель (стандартный выключатель 230 В)
- Выключатель освещения (стандартный выключатель 230 В)
- Панель управления, темное дерево (1-008-128 / WC4-B-D) или панель управления, черная (1-010-389 / WC4-B-S) или панель управления белая (1-010-437 / WC4-B-W)
- Датчик нагревателя, светлое дерево (1-013-651 / WC4-B-F1H), провод датчика 5 м или датчик нагревателя, темное дерево (1-003-479 / WC4-B-F1D), провод датчика 5 м

#### 3.3. Дополнительное оснащение

- Плата расширения для датчика влажности, датчика скамейки (1-003-472 / WC4-H-PCB)
- Датчик скамейки WC4, темное дерево (1-003-295 / WC4-H-F2D), провод датчика 5 м
- Датчик скамейки WC4, светлое дерево (1-013-662 / WC4-H-F2H), провод датчика 5 м
- Датчик влажности, темное дерево (1-003-364 / WC4-H-HD), провод датчика 5 м
- Датчик влажности, светлое дерево (1-013-669 / WC4-H-HH), провод датчика 5 м
- Датчик влажности и температуры (1-010-081 / O-FTS2), провод датчика 6 м
- Корпус датчика для FTS2, темное дерево (1-041-521 / SC-FTS2-D)
- Корпус датчика для FTS2, светлое дерево (1-041-520 / SC-FTS2-D)
- Адаптер Y RJ10, 4-полюсный (1-028-167 / WC4-C-ADY)
- Увеличение производительности (1-008-779 / O-S2-18, 1-009-280 / O-S2-30)
- Устройство защитного отключения (SFE-xxxxx)
- Система дистанционного запуска (1-051-003 / FS-SY)
- Система датчиков двери (1-052-722 / SAB00102)

### 3.4. Функции изделия

Блок управления сауной wave.com 4 11 кВт имеет следующие функции:

- Управление нагревателями для саун мощностью до 11 кВт
- При использовании платы расширения регулировка комбинированных нагревателей с мощностью нагревателя до 11 кВт и мощностью испарителя до 3 кВт.
- При наличии блока увеличения мощности возможно увеличение максимальной мощности включения 11 кВт.
- Возможность подключения внешнего главного выключателя
- Возможность подключения внешнего выключателя освещения
- Включение и регулировка освещения в кабине (лампа накаливания до 100 Вт)
- Включение вентилятора (до 100 Вт)
- Автоматическое ограничение времени нагрева  
Из соображений техники безопасности блок управления выключается автоматически по истечении максимального времени нагрева (от 1 до 12 часов)
- Функция предварительно установленного времени таймера (от 1 до 24 часов)
- Аудиосигнал для временного интервала (например: сигнал поливания камней сауны)
- Программа доп. сушки  
После комбинированного режима автоматически запускается программа доп. сушки, чтобы избежать образования плесени и гниения в кабине сауны. (3 возможности установки).
- Функция дистанционного включения
- Режим Есо  
Режим Есо позволяет получить ту же температуру в кабине после перерыва (20, 40, 60 мин).
- Термопредохранитель  
Термопредохранитель находится в корпусе датчика нагревателя. Если вследствие неисправности нагреватель сауны продолжает нагреваться даже после достижения нужной температуры, термопредохранитель отключает нагревательный элемент при температуре 139 °С.



### 3.5. Режимы работы сауны

#### **Режим сауны**

В режиме сауны доступно сухое тепло. В кабине высокая температура (от 80 до 100 °С). Значение влажности незначительное, максимум 10 %.

#### **Комбинированный режим (опция с платой расширения)**

В комбинированном режиме наряду с нагревателем сауны также работает испаритель. Температура в кабине сауны ниже, чем в режиме сауны (прим. от 40 до 65 °С), при этом относительная влажность воздуха от 35 % до прим. 70 % значительно выше. При этом максимально настраиваемая заданная влажность зависит от температуры сауны. Чем выше температура сауны, тем ниже максимальное настраиваемое значение влажности (см. рис. 1)

### 3.6. Режимы работы с датчиками

Блок управления wave.com 4 11 кВт можно подключить к одному, двум или трем датчикам.

#### **Режим с одним датчиком (F1)**

По умолчанию активен режим работы с одним датчиком.

В режиме с одним датчиком блок управления может работать только с датчиком нагревателя, имеющим термopредохранитель.

Блок управления сауной по умолчанию показывает фактическую температуру. Заданная температура отображается во время настройки.

Максимально настраиваемое значение влажности (опция с платой расширения) зависит от температуры над нагревателем в режиме с одним датчиком, а влажность периодически запрашивается. На дисплее блока управления сауной отображается только заданное значение влажности (в % относительной влажности воздуха). Фактическая влажность в кабине сауны при тактовом влажном режиме зависит от размера кабины и мощности испарителя и может отличаться от настроенного заданного значения.

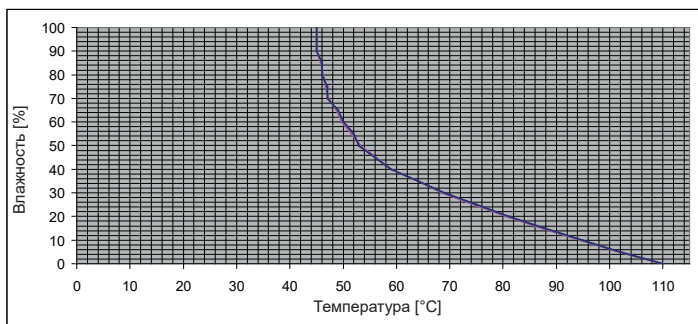


Рис. 1: График влажности / температуры

***Режим работы с двумя датчиками с использованием датчика влажности и температуры (FTS2) (опция с платой расширения)***

В режиме с двумя датчиками с использованием датчика влажности и температуры блок управления сауной в качестве фактической температуры отображает температуру, измеренную датчиком температуры и влажности.

В режиме с двумя датчиками с использованием датчика влажности и температуры испаритель регулируется в соответствии с влажностью, измеренной в кабине. На дисплее блока управления сауной отображается фактическое значение влажности в кабине сауны (в % относительной влажности воздуха).

***Режим работы с двумя датчиками с использованием датчика скамейки (F2) (опция с платой расширения)***

Для работы в этом режиме необходимо установить второй датчик температура (датчик скамьи) над задней скамьей сауны. Блок управления выводит на дисплей фактическую температуру, измеренную на датчике скамьи.

В режиме с двумя датчиками с использованием датчика скамейки влажность запрашивается периодически. На дисплее блока управления сауной отображается только заданное значение влажности (в % относительной влажности воздуха). Фактическая влажность в кабине сауны при тактовом влажном режиме зависит от размера кабины и мощности испарителя и может отличаться от настроенного заданного значения.

***Режим работы с двумя датчиками с использованием датчика влажности (WC4-H-H) (опция с платой расширения)***

В режиме с двумя датчиками с использованием датчика влажности блок управления сауной в качестве фактической температуры отображает температуру, измеренную датчиком нагревателя. Испаритель регулируется в соответствии с влажностью, измеренной в кабине. На дисплее блока управления сауной отображается фактическое значение влажности в кабине сауны (в % относительной влажности воздуха).

***Режим работы с тремя датчиками с использованием датчика скамейки (F2) и датчика влажности (WC4-H-Hx) (опция с платой расширения)***

В режиме с тремя датчиками с использованием датчика скамейки и датчика влажности блок управления сауной в качестве фактической температуры отображает температуру, измеренную датчиком скамейки.

В режиме с тремя датчиками испаритель регулируется в соответствии с влажностью, измеренной в кабине. На дисплее блока управления сауной отображается фактическое значение влажности в кабине сауны (в % относительной влажности воздуха).

## 4. Монтаж

При монтаже соблюдать технические данные, приведенные на стр. 37:

### ВНИМАНИЕ!

#### *Нарушение передачи сигнала вследствие помех*

- Прокладывать кабели датчиков изолированно от других проводов и управляющих кабелей.
- Защитить кабели с простой изоляцией, проложив их в рукаве (двойная изоляция).



Разрешается использовать для подключения всех датчиков исключительно прилагаемые к ним кабели, которые устойчивы к воздействиям температур до 150 °С.

- Длина провода датчика нагревателя НЕ ДОЛЖНА превышать 10 м.
- Вне кабины кабели датчиков могут быть удлинены кабелями, которые не являются термостойкими.

### 4.1. Монтаж блока питания

Учитывать рис. 2 на стр. 14.

### ВНИМАНИЕ!

#### *Повреждения устройства*

Блок управления сауной защищен от брызг воды, однако прямой контакт с водой может вызвать повреждение устройства.

- Установить блок управления в месте, в котором максимальная влажность воздуха не превышает 95 % — не влажная комната.
- При монтаже в кабине сауны кабельные вводы не должны быть направлены вверх!

Чтобы установить блок питания **1**, необходимо выполнить следующее:

1. Снять крышку с блока питания.
2. В 4 углах шасси можно прикрепить блок питания к поверхности (см. стрелки Рис. 4 на стр. 17)

### 4.2. Монтаж главного выключателя

Соблюдать инструкции руководства, прилагаемого к выключателю.

### 4.3. Монтаж освещения кабины / выключателя освещения

Соблюдать инструкции руководства, прилагаемого к выключателю.

#### 4.4. Монтаж платы расширения (дополнительно)

1. Подключить плату расширения к базовой плате, подключив предварительно установленные кабели (L-N-PE) и плоский кабель.
2. Закрепить плату расширения с помощью входящих в комплект поставки винтов.

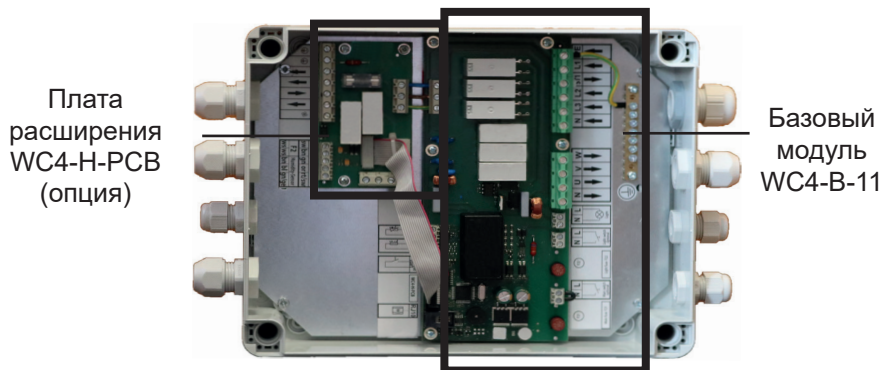


Рис. 2: Wave.com 4 11 кВт, блок питания

#### 4.5. Монтаж панели управления

Панель управления [2] устанавливается на стене кабины на максимальном расстоянии 10 метров от блока питания [1]. Учитывать прокладку кабеля для кабеля передачи данных.

##### **ВНИМАНИЕ!**

##### **Повреждения устройства**

- Панель управления [2] блока управления сауной защищена от водяных брызг (степень защиты IPX4).
- Монтаж можно осуществлять только с помощью отвертки. При использовании аккумуляторного шуруповерта существует опасность невозможного повреждения корпуса!
- При монтаже внутри кабины сауны необходимо соблюдать минимальное расстояние 30 см до потолка кабины.

1. Использовать сверло Ø 70 x 35 мм, например, чтобы вырезать углубление для панели управления.
2. Подключить 4-контактный разъем к разъему RJ10 на панели управления.
3. Прикрутить корпус через отверстие четырьмя прилагаемыми шурупами к стене кабины.

## 4.6. Установка датчика нагревателя F1 с термopредохранителем

При установке датчика нагревателя соблюдать следующее:

- Датчик нагревателя должен быть установлен на потолке кабины выше середины нагревателя сауны. При этом расстояние до стены кабины должно составлять 19 см для кабин размером до 2 x 2 м, а для более крупных кабин — 35 см.
- Установить датчик нагревателя так, чтобы на его показания не оказывал воздействие поток приточного воздуха.



Следить за тем, чтобы во время протягивания кабелей датчика ни один кабель не был поврежден!

Чтобы установить датчик нагревателя, выполнить следующее (см. **Рис. 3**):

1. Просверлить потолок кабины с помощью сверла диаметром 8 мм.
2. Протянуть оба 2-полюсных кабеля датчика нагревателя через отверстие.
3. Закрепить корпус датчика входящими в комплект поставки шурупами.
4. Провести оба 2-полюсных кабеля датчика нагревателя к блоку питания и зафиксировать кабели датчика нагревателя с помощью кабельных зажимов.
5. Проверить, хорошо ли зафиксирован датчик нагревателя.

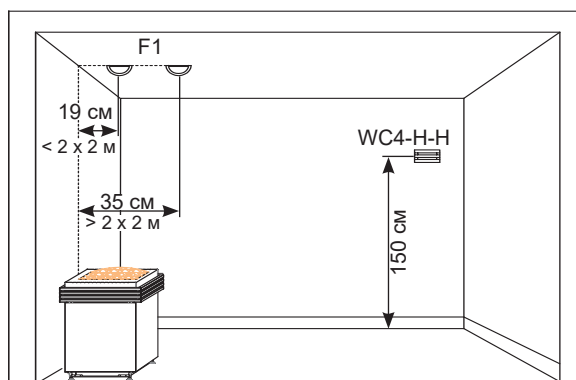


Рис. 3: Монтаж датчика

#### **4.7. Монтаж датчика влажности и температуры FTS2 (дополнительно)**

Датчик влажности и температуры устанавливается на стену кабины над задней скамейкой. Расстояние до потолка кабины должно составлять ок. 15 см. Соблюдать инструкции по монтажу датчика.



В качестве опции доступен деревянный корпус для датчика влажности и температуры.

#### **4.8. Монтаж датчика скамейки F2 (дополнительно)**

Датчик скамейки устанавливается на стену кабины над задней скамейкой. Расстояние до потолка кабины должно составлять ок. 15 см.

Чтобы установить датчик скамейки, выполнить следующее:

1. Просверлить стену кабины с помощью сверла диаметром 8 мм.
2. Протянуть оба 2-полюсных кабеля датчика скамейки через отверстие.
3. Закрепить корпус датчика входящими в комплект поставки шурупами.
4. Провести 2-полюсный кабель датчика скамейки к блоку питания и зафиксировать кабель датчика скамейки с помощью кабельных зажимов.
5. Проверить, хорошо ли зафиксирован датчик скамейки.

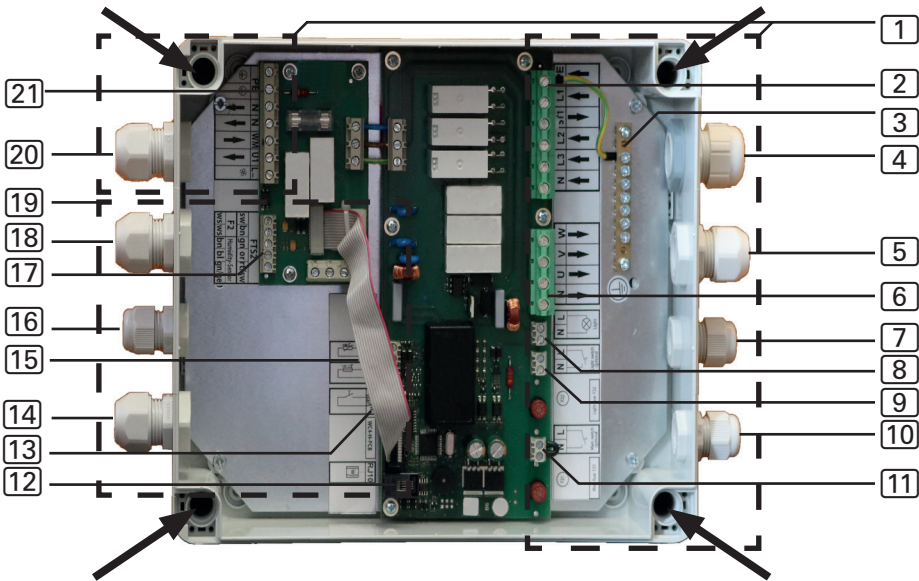
#### **4.9. Монтаж датчика влажности WC4-H-H (дополнительно)**

Датчик влажности должен быть установлен посередине боковой стенки, которая находится дальше всего от нагревателя, на высоте около 150 см. (Рис. 3 на стр. 15).

Чтобы установить датчик влажности, необходимо выполнить следующее:

1. Просверлить стену кабины с помощью сверла диаметром 8 мм.
2. Протянуть 3-полюсный кабель датчика влажности через отверстие.
3. Закрепить корпус датчика входящими в комплект поставки шурупами.
4. Провести 3-полюсный кабель датчика влажности к блоку питания и зафиксировать кабель датчика влажности с помощью кабельных зажимов.
5. Проверить, хорошо ли зафиксирован датчик влажности.

## 5. Подключение к электрической сети



**Рис. 4: Подключение к электрической сети**

- |    |   |    |  |
|----|---|----|--|
| 1  | Области подключения 230 В / 400 В                                     | 12 | Шина RJ10 для кабеля для передачи данных панели управления                               |
| 2  | Клеммная колодка для питающего кабеля                                 | 13 | Клеммная колодка для дистанционного запуска  |
| 3  | Шина заземления   | 14 | Кабельный ввод для кабеля передачи данных RJ10, датчика F1 / F2 и дистанционного запуска |
| 4  | Кабельный ввод для кабеля питания                                     | 15 | Клеммная колодка для датчика F1  |
| 5  | Кабельный ввод для кабеля нагревателя                                 | 16 | Кабельный ввод для датчика WC4-H-H / FTS2  |
| 6  | Клеммная колодка для кабеля нагревателя                               | 17 | Клеммная колодка для датчика F2 / WC4-H-H / FTS2   |
| 7  | Кабельный ввод для осветительного прибора и блока увеличения мощности | 18 | Кабельный ввод для вентилятора   |
| 8  | Клеммная колодка для осветительного прибора                           | 19 | Область подключения низковольтного напряжения  |
| 9  | Клеммная колодка для выключателя освещения                            | 20 | Кабельный ввод для кабеля испарителя   |
| 10 | Кабельный ввод для выключателя освещения и главного выключателя       | 21 | Клеммная колодка для кабеля испарителя и вентилятора                                     |
| 11 | Клеммная колодка для главного выключателя                             |    |  |



Соблюдать «**5. Подключение к электрической сети**» на стр. 17, «**7.1. Схема подключения базового модуля**» на стр. 23 и «**7.2. Схема подключения платы расширения (дополнительно)**» на стр. 24.

### 5.1. Подключение питающего кабеля и нагревателя

1. Провести питающий кабель и кабель нагревателя через кабельные вводы [4] и [5] в области подключения 230 В / 400 В [1].
2. Подключить провода подключения к соответствующим клеммным колодкам [2], [6]. Соблюдать инструкции руководства, прилагаемого к соответствующему устройству.

### 5.2. Подключение испарителя (дополнительно)

1. Провести кабель испарителя (опция с платой расширения) через кабельный ввод [20] в области подключения 230 В / 400 В [1].
2. Подключить провода подключения к соответствующим клеммным колодкам [21]. Соблюдать инструкции руководства, прилагаемого к испарителю.



Если в испарителе отсутствует автоматический индикатор низкого уровня воды, подключить клемму «U1» к клемме «WM» с помощью перемычки или изменить настройку акустического сигнала (см. стр. 32)

### 5.3. Подключение панели управления

1. Провести кабель подключения панели управления через кабельный ввод [14] в области подключения низковольтного напряжения [19].
2. Вставить штекерный разъем кабеля RJ-10 в область подключения [12].



Блоки управления сауной wave.com 4 11 кВт обеспечивают работу до 4 панелей управления на одном блоке питания. Использовать адаптер Y для подключения дополнительных панелей управления (см. «3.3. Дополнительное оснащение» на стр. 9).



## 5.4. Подключение внешнего главного выключателя

Главный выключатель не входит в комплект поставки.

1. Провести кабель подключения главного выключателя через кабельный ввод [10] в области подключения 230 В / 400 В [1].
2. Подключить провода к клеммной колодке [11]. Соблюдать инструкции руководства, прилагаемого к выключателю.



Контакты соединяются при доставке. Для монтажа удалить перемычку

## 5.5. Подключение осветительного прибора

1. Провести кабель осветительного прибора через кабельный ввод [7] в области подключения 230 В / 400 В [1].
2. Подключить кабель осветительного прибора к клеммной колодке [8]. Соблюдать инструкции руководства, прилагаемого к выключателю.

## 5.6. Подключение внешнего выключателя освещения

Выключатель освещения не входит в комплект поставки.

3. Провести кабель подключения выключателя освещения через кабельный ввод [10] в области подключения 230 В / 400 В [1].
4. Подключить кабель к клеммной колодке [9]. Соблюдать инструкции руководства, прилагаемого к выключателю.

## 5.7. Подключение вентилятора (дополнительно)

1. Провести кабель вентилятора через кабельный ввод [18] в области подключения 230 В / 400 В [1].
2. Подключить кабель вентилятора к клеммной колодке [21]. Соблюдать инструкции руководства, прилагаемого к вентилятору.

## 5.8. Подключение датчика нагревателя F1

1. Провести кабели датчика нагревателя через кабельный ввод **14** в области подключения низковольтного напряжения **19**.
2. Подсоединить красные кабели датчика нагревателя (STB) к клеммам с надписью «**R-R**» на клеммной колодке **15**.
3. Подсоединить белые кабели датчика нагревателя (F1) к клеммам с надписью «**W-W**» на клеммной колодке **15**.



Импульсный режим измерения влажности в режиме с одним датчиком требует установки вспомогательного датчика (см. 5.12 на стр. 21).

## 5.9. Подключение датчика влажности и температуры FTS2 (дополнительно)

1. Провести кабели датчика влажности через кабельный ввод **16** в области подключения низковольтного напряжения **19**.
2. Подключить кабели датчика температуры к клеммам с надписью «**FTS2: sw-br**» на клеммной колодке **17**.
  - a. Подключить черный кабель к клемме «**sw**».
  - b. Подключить коричневый кабель к клемме «**br**».
3. Подключить кабели датчика влажности к клеммам с надписью «**FTS2: gn-or-rt**» на клеммной колодке **17**.
  - c. Подключить зеленый кабель к клемме «**gn**».
  - d. Подключить оранжевый кабель к клемме «**or**».
  - e. Подключить красный кабель к клемме «**rt**».

## 5.10. Подключение датчика скамейки F2 (дополнительно)

1. Провести кабели датчика скамейки через кабельный ввод **14** в области подключения низковольтного напряжения **19**.
2. Подключить кабели датчика скамейки к клеммам с надписью «**F2: ws-ws**» на клеммной колодке **17**.



Импульсный режим измерения влажности в режиме с двумя датчиками (F1 и F2) требует установки вспомогательного датчика (см. 5.12 на стр. 21)

### 5.11. Подключение датчика влажности WC4-H-H (дополнительно)

1. Провести кабели датчика влажности через кабельный ввод [16] в области подключения низковольтного напряжения [19].
2. Подключить кабели датчика влажности к клеммам с надписью «**WC4-H-H: br-bl-gn/ge**» на клеммной колодке [17].
  - a. Подключить коричневый кабель к клемме «**br**».
  - b. Подключить голубой кабель к клемме «**bl**».
  - c. Подключить желтый/зеленый провод к клемме «**gn/ge**».
3. Удалить перемычку FTS2 (см. «7.1. Схема подключения базового модуля» на стр. 23)



Режим измерения влажности при помощи датчика влажности WC4-H-H может использоваться и без датчика скамейки F2.

### 5.12. Подключение вспомогательного датчика (дополнительно)

1. Подключить входящий в комплект поставки вспомогательный датчик к клеммам с надписью «**WC4-H-H: br-bl**» на клеммной колодке [17].

### 5.13. Подключения блока увеличения мощности (дополнительно)

1. Провести кабель блока увеличения мощности через кабельный ввод [7] в области подключения 230 В / 400 В [1].
2. Подключить кабель к клеммной колодке [2] и [3]. Использовать при этом клемму «**ST1**» для контура безопасности (ST1) и клемму «**V**» для контура управления (ST2). Соблюдать инструкции руководства, прилагаемого к соответствующему устройству.



При доставке пластиковый винт зажат в клемме ST1 — возможно, его придется удалить.

### 5.14. Подключение дистанционного пуска

Подключение осуществляется через клеммы «**Remote start**» в области подключения низковольтного напряжения [19].

Выходное напряжение +12 В постоянного тока должно быть подано обратно на клемму через выключатель (контакт длительного включения). Может быть включен последний использованный режим работы.

## 5.15. Завершение установки

1. Подсоединить защитные провода источника питания и всех устройств к шине заземления **3**.
2. Закрыть блок питания.

## 6. Выполнение испытаний и проверок

Должны быть выполнены следующие проверки (проверки выполняются лицензированным электромонтажником).



### **ПРЕДУПРЕЖДЕНИЕ!**

**Следующие проверки выполняются при подключенном источнике питания. Возможно поражение током.**

- ЗАПРЕЩАЕТСЯ прикасаться к электропроводящим частям оборудования.

1. Проверить контакт проводов заземления на клемме защитного провода.
2. Проверить термopредохранитель датчика нагревателя F1.
  - a. Включить блок управления сауной.
  - b. Открыть датчик нагревателя и отсоединить один из красных проводов датчика.
    - ▶ На дисплее отображается «-30», а все символы мигают
    - ▶ Блок управления отключит нагреватель.
  - c. Выключить блок управления сауной при помощи главного выключателя.
  - d. Снова подсоединить красный провод датчика.
  - e. Отсоединить теперь один из белых проводов датчика.
  - f. Включить блок управления сауной.
    - ▶ На дисплее отображается «-21», а все символы мигают
    - ▶ Блок управления отключит нагреватель.
  - g. Выключить блок управления сауной при помощи главного выключателя.
  - h. Снова подсоединить белый провод датчика.
3. Проверить подключение фаз: провода L1, L2, L3 должны быть подключены к U, V, W.
4. Убедиться, что максимально допустимая мощность нагревателя не превышает 3,7 кВт на фазу.
5. Опция с платой расширения: проверить последовательность фаз для режима испарителя L1, L2, L3 на U1, V, W.
6. При наличии блока увеличения мощности: проверить управляющие кабели ST1, ST2 и ST3.

## 7. Схема подключения

### 7.1. Схема подключения базового модуля

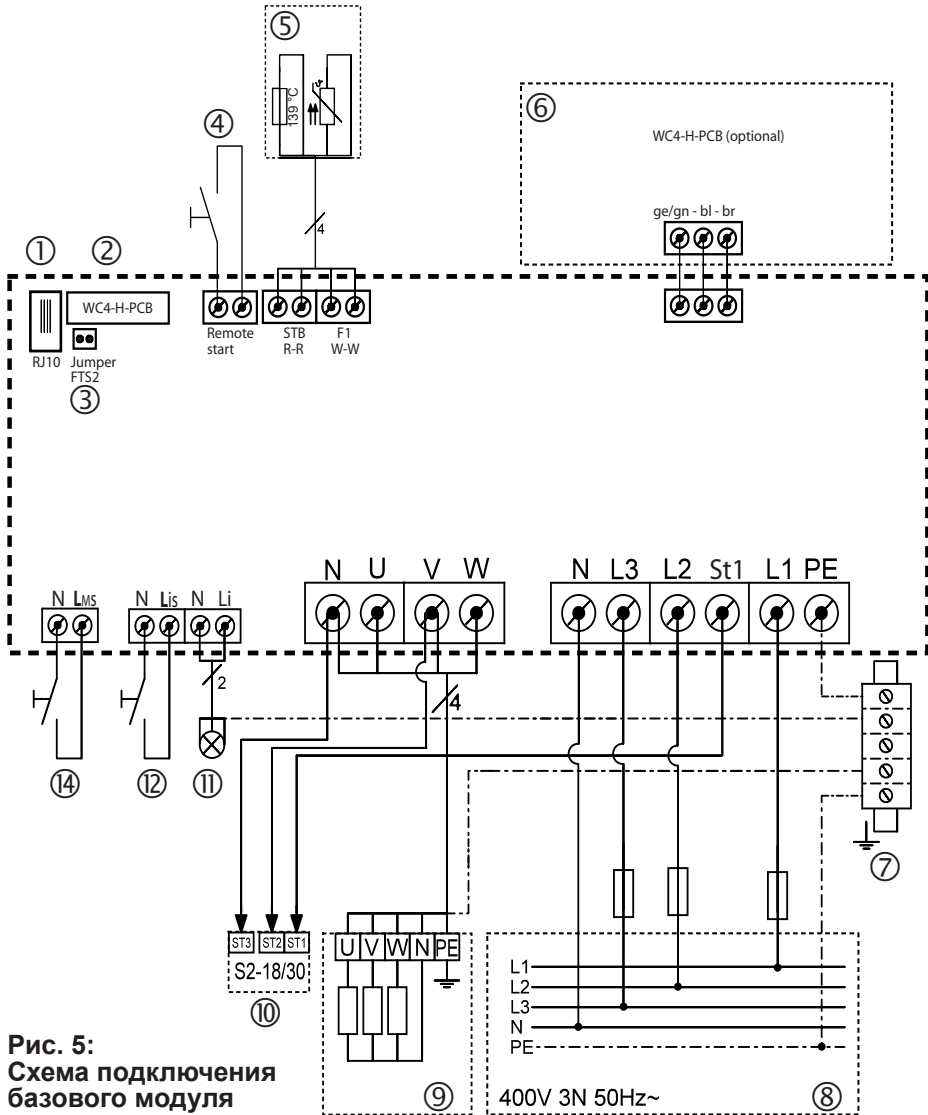


Рис. 5: Схема подключения базового модуля

Каменка [kW]	Подключение к источнику питания Подключение к нагревателю (термоустойчивость до 150 °C)	Предохранитель. [A]
0 - 6,9	5 x 1,5 mm <sup>2</sup>	3 x 10
< 6,9 - 11	5 x 2,5 mm <sup>2</sup>	3 x 16

- |  |                                     |
|--|-------------------------------------|
| ① Разъем подключения RJ10 панели управления      | ⑨ Система нагрева (макс. 11 кВт)    |
| ② Плата расширения                               | ⑩ Блок увеличения мощности          |
| ③ Перемычка для FTS2                             | ⑪ Освещение                         |
| ④ Дистанционное включение                        | ⑫ Выключатель освещения             |
| ⑤ Датчик нагревателя с термopредохранителем (F1) | ⑬ Главный выключатель               |
| ⑥ Плата расширения                               | ⑭ Испаритель (макс. 3 кВт)          |
| ⑦ Шина заземления                                | ⑮ Вентилятор                        |
| ⑧ Источник питания для блока управления сауной   | ⑯ Датчик скамейки (F2 / FTS2)       |
|  | ⑰ Датчик влажности (WC4-H-H / FTS2) |

## 7.2. Схема подключения платы расширения (дополнительно)

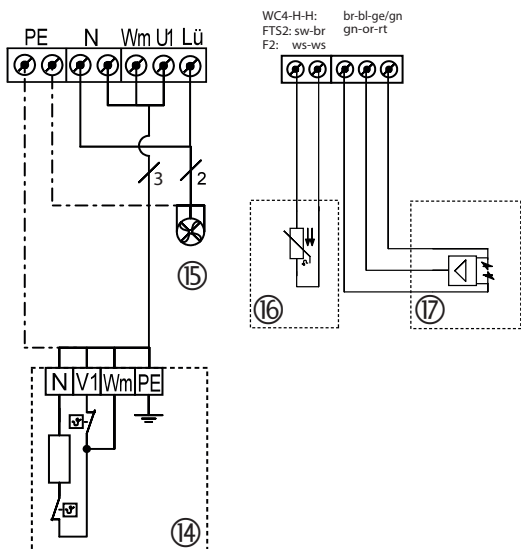
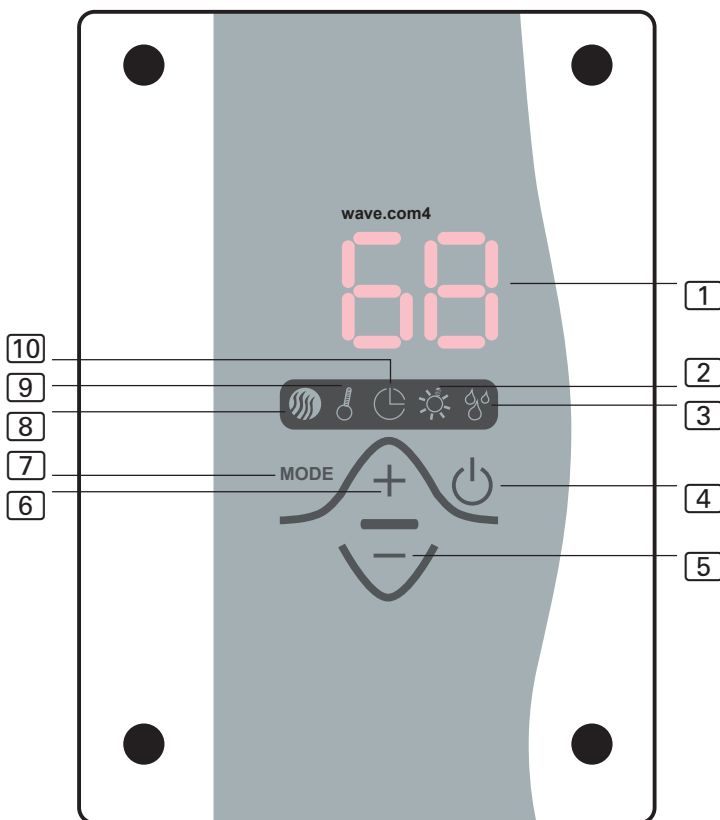


Рис. 6: Схема подключения платы расширения

## 8. Элемент управления и индикации



1	Дисплей (3-разрядный семисегментный дисплей)	6	Плюс
2	Контрольный индикатор: <i>Освещение</i>	7	Mode (настройки)
3	Контрольный индикатор: <i>Влажный режим</i>	8	Контрольный индикатор: <i>Ожидание</i>
4	Вкл./Выкл.	9	Контрольный индикатор: <i>Температура</i>
5	Минус	10	Контрольный индикатор: <i>Таймер</i>

## 9. Эксплуатация

Обратить внимание на «8. Элемент управления и индикации» на стр. 25

### 9.1. Включение

Включить устройство управления, активировав главный выключатель (опция).

- ▶ Контрольный индикатор режима ожидания [8] светится непрерывно.

### 9.2. Настройка времени нагрева

Время нагрева можно установить в часах (1–12).

Для выполнения программирования устройство управления должно находиться в режиме ожидания.

Одновременно нажать и удерживать 3 секунды кнопки Вкл./Выкл. [4] и Минус [5].

- ▶ Дисплей [1] отображает последнее установленное время (мигает)

Выбрать при помощи кнопок Минус [5] / Плюс [6] необходимое время нагрева (Выкл., 1–12).

Подтвердить выбор кнопкой Вкл./Выкл. [4]. Откроется настройка языка (см. стр. 26). Для подтверждения нажать кнопку Вкл./Выкл. [4].

- ▶ Контрольный индикатор режима ожидания [8] светится.

### 9.3. Настройка языка

На выбор предлагаются такие языки:

немецкий, английский, французский, итальянский, голландский

Для выполнения программирования устройство управления должно находиться в режиме ожидания.

Одновременно нажать и удерживать 3 секунды кнопки Вкл./Выкл. [4] и Минус [5].

Откроется меню настройки времени нагрева. Перейти при помощи кнопки Mode [7] в языковое меню. Сделать выбор при помощи кнопок Минус [5] / Плюс [6].

Подтвердить выбор при помощи кнопки Mode [7].



## 9.4. Включение освещения (свет для очистки)

Освещение (свет для очистки) в кабине сауны можно включать и выключать с помощью внешнего выключателя освещения независимо от режима работы.

Освещение (свет для очистки) в кабине сауны может включаться и выключаться на панели управления нажатием кнопки Вкл./Выкл. [4]. (Для этого устройство управления должно находиться в режиме ожидания). Освещение автоматически выключается через 5 мин.

- ▶ Контрольный индикатор режима ожидания [8] мигает = режим ожидания

Освещение в кабине сауны можно приглушить. Для этого устройство управления должно находиться в режиме эксплуатации *FIN* или *FEU* (см. «9.12. Приглушение света» на стр. 29).

## 9.5. Выбор режима эксплуатации

На выбор предлагаются следующие режимы:

- Режим сауны «*FIN*» (= стандартный)
- Комбинированный режим «*FEU*»
- Свет для очистки «*AUS*»

Нажать на кнопку Вкл./Выкл. [4] и выбрать при помощи кнопок Минус [5] / Плюс [6] необходимый режим.

## 9.6. Запуск режима сауны *FIN*

Выбрать режим *FIN*. Затем кратковременно нажать кнопку Вкл./Выкл. [4].

- ▶ Управление начинается с последних настроек этого режима работы.
- ▶ Контрольные индикаторы режима ожидания [8] и температуры [9] светятся.

Выбрать при помощи кнопок Минус [5] / Плюс [6] необходимую температуру (< 110 °C)

- ▶ Дисплей [1] на одну секунду отобразит необходимую температуру (заданное значение). Затем отобразится измеренная температура (фактическое значение).

## 9.7. Выключение режима сауны *FIN*

Кратковременно нажать кнопку Вкл./Выкл. [4].

- ▶ Нагреватель для сауны выключится.
- ▶ Контрольный индикатор режима ожидания [8] мигает. Вы находитесь в режиме **AUS**
- ▶ Свет для очистки горит.

Для выключения устройства управления кратковременно нажать кнопку Вкл./Выкл. [4]

- ▶ Контрольный индикатор режима ожидания [8] мигает = режим ожидания

## 9.8. Запуск комбинированного режима *FEU*

Выбрать режим **FEU**. Кратковременно нажать кнопку Вкл./Выкл. [4].

- ▶ Управление начинается с последних настроек этого режима работы.
- ▶ Контрольные индикаторы режима ожидания [8] и температуры [9] светятся.

Выбрать при помощи кнопок Минус [5] / Плюс [6] необходимую температуру.

- ▶ Дисплей [1] на одну секунду отобразит необходимую температуру (заданное значение). Затем отобразится измеренная температура (фактическое значение).

Нажать на кнопку Mode [7], пока не загорится контрольный индикатор влажности [3].

Выбрать при помощи кнопок Минус [5] и Плюс [6] необходимую влажность (< 70 °C см. «Рис. 1: График влажности / температуры» на стр. 11)

- ▶ Дисплей [1] отображает необходимую влажность (заданное значение). При установке датчика влажности (опция) измеренная влажность (фактическое значение) отобразится через несколько секунд.

## 9.9. Выключение комбинированного режима *FEU*

Кратковременно нажать кнопку Вкл./Выкл. [4].

- ▶ Нагреватель для сауны и испаритель выключатся.
- ▶ Контрольный индикатор режима ожидания [8] мигает. Вы находитесь в режиме **AUS**
- ▶ Свет для очистки горит.

Для выключения устройства управления кратковременно нажать кнопку Вкл./Выкл. [4]

- ▶ Контрольный индикатор режима ожидания [8] мигает = режим ожидания

## 9.10. Прерывание программы доп. сушки

После комбинированного режима автоматически запускается программа доп. сушки. На дисплее [1] отображается сообщение «dry», а контрольный индикатор влажности мигает. Возможные настройки программы доп. сушки см. в «Установка программы доп. сушки» на стр. 33

- ▶ Одновременно нажать и удерживать 3 секунды кнопки Вкл./Выкл. [4] и Минус [5]



Чтобы избежать образования плесени и гниения, НЕЛЬЗЯ прерывать программу доп. сушки.

## 9.11. Настройка таймера

Таймер можно установить в минутах (0–99). По истечении времени зазвучит акустический сигнал (зумер находится в блоке питания).

Нажать на кнопку Mode [7], пока не загорится контрольный индикатор таймера [10]. Выбрать при помощи кнопок Минус [5] / Плюс [6] необходимый интервал.

- ▶ Дисплей [1] отображает оставшееся время.

## 9.12. Приглушение света

Освещение в кабине сауны можно приглушить. Для этого устройство управления должно находиться в режиме эксплуатации *FIN* или *FEU*.

Нажать на кнопку Mode [7], пока не загорится контрольный индикатор освещения [2].

- ▶ Нажать и удерживать кнопки Минус [5] или Плюс [6], чтобы выбрать необходимую интенсивность освещения кабины.
- ▶ Кратковременное нажатие на кнопку Плюс [6] включит освещение в кабине на максимум (100).
- ▶ Кратковременное нажатие на кнопку Минус [5] выключит освещение в кабине (0).



Внешний выключатель освещения всегда включает свет в кабине на полную мощность. При желании затемнить освещение с помощью панели управления, внешний выключатель освещения должен находиться в положении Выкл.

## 9.13. Установка таймера

Время таймера можно установить в часах (1–24).

Для этого устройство управления должно находиться в режиме ожидания. Одновременно нажать и удерживать 3 секунды кнопки Вкл./Выкл. [4] и Плюс [6].

- ▶ Дисплей [1] отображает последнее установленное время (мигает)

Выбрать при помощи кнопок Минус [5] / Плюс [6] необходимое время таймера (Выкл., 1–24).

При помощи кнопки Mode [7] переключиться в нужный режим *FIN* или *FEU* и подтвердить необходимый режим кнопкой Вкл./Выкл. [4].

- ▶ Дисплей [1] отображает предварительно установленное время
- ▶ Контрольные индикаторы режима ожидания [8] и таймера [10] светятся

По истечении времени запустится выбранный режим работы.



В случае сбоя питания или ручного включения предварительно установленное время деактивируется

## 9.14. Режим ECO

В режиме ECO температура в кабине остается одинаковой после перерыва.

На выбор предлагаются следующие режимы:

- ECO20 для 20-минутного перерыва в работе сауны
- ECO40 для 40-минутного перерыва в работе сауны
- ECO60 для 60-минутного перерыва в работе сауны

Для этого устройство управления должно находиться в режиме эксплуатации *FEU*.

Нажать на кнопку Mode [7], пока не загорится контрольный индикатор температуры [9].

- ▶ Дисплей [1] отображает выбранную температуру
- ▶ Контрольные индикаторы режима ожидания [8] и температуры [9] светятся

Одновременно нажать и удерживать 3 секунды кнопки Плюс [6] и Минус [5]. Выбрать при помощи кнопок Минус [5] / Плюс [6] необходимый режим ECO (Выкл., E20, E40, E60).

Подтвердить свой выбор кнопкой Mode [7]. Теперь запустится перерыв.

## 9.15. Включение режима ожидания для дистанционного управления

Согласно требованиям стандарта EN 60335-2-53, блок управления сауной, управляемый дистанционно, необходимо перевести в режим ожидания вручную. Режим ожидания необходимо устанавливать каждый раз при переключении в режим дистанционного управления. Выполнить для этого следующее. Убедиться, что сауна находится в режиме ожидания.

Одновременно нажать и удерживать кнопки **[4]** Вкл./Выкл. и **[7]** Mode в течение примерно 3 с.

- ▶ На дисплее **[1]** мигает «гс» (дистанционное управление).

Блок управления сауной готов к приему команд с пульта дистанционного управления.

- ▶ После получения и выполнения команды на включение или выключение сауны символ дистанционного управления и «гс» гаснут. После этого нужно снова активировать дистанционный режим работы.



Для прерывания функции «Ожидание дистанционного управления» нажать и удерживать около 3-х секунд кнопку **[4]** Вкл./Выкл.

## 9.16. Разблокировка дистанционного запуска

После разблокировки дистанционного запуска можно выбрать функцию выхода дистанционного запуска (обратите внимание на EN60335-2-53). Подключение: см. «5.14. Подключение дистанционного пуска» на стр. 21

- По умолчанию разблокировка дистанционного запуска установлена на ВЫКЛ. Дистанционное включение активируется с помощью режима «Ожидание для дистанционного управления».
- Чтобы активировать выход дистанционного запуска для различных устройств (например, монетоприемника, системы дистанционного запуска, устройства контроля двери), необходимо сделать следующее.

Для выполнения программирования устройство управления должно находиться в режиме ожидания.

Одновременно нажать и удерживать кнопки Вкл./Выкл. **[4]** и Минус **[5]** в течение 3 секунд.

Откроется меню настройки времени нагрева.

Перейти с помощью кнопки кнопки Mode **[7]** в языковое меню.

Перейти с помощью кнопки Mode **[7]** в меню дистанционного пуска.

Сделать выбор с помощью кнопок Минус **[5]** /Плюс **[6]**.

Подтвердить выбор при помощи кнопки Mode **[7]**.

## 9.17. Активация дополнительной панели управления

Можно подключить до четырех панелей управления (см. «5.3. Подключение панели управления» на стр. 18).

Включить устройство управления (контрольный индикатор режима ожидания **8** светится).

Отключить кабель для передачи данных дополнительной панели управления. Нажать и удерживать кнопки Минус **5** и Плюс **6** на отключенной панели управления, снова подключить кабель передачи данных.

► На дисплее **1** мигает адрес последней вставленной шины

Выбрать при помощи кнопок Минус **5** / Плюс **6** необходимый адрес шины (0–3). Подтвердить выбор при помощи кнопки Mode **7**.

Внимание: после изменения настройки необходимо отключить устройство управления на 10 секунд, чтобы сохранить настройку.



При использовании нескольких панелей управления необходимо назначить адрес шины для каждой панели управления. Стандартным значением адреса является 0. Каждый адрес (0-3) можно использовать только один раз.

## 9.18. Установка акустического сигнала

Акустический сигнал можно установить для следующих функций:

Для этого устройство управления должно находиться в режиме эксплуатации *FIN* или *FEU*.

Нажать на кнопку Mode **7**, пока не загорится контрольный индикатор таймера **10**.

► На дисплее **1** мигает значение настроенной функции

Выбрать при помощи кнопок Минус **5** / Плюс **6** необходимое значение. Подтвердить выбор при помощи кнопки Mode **7**.

Значение	Функция	Описание функции
0	Тихо	Отсутствует акустический сигнал
1	Таймер	Таймер активен в течение 1 секунды после истечения времени
2	Мало воды	Непрерывный сигнал при недостаточном количестве воды
3	Таймер + недостаточное количество воды	Обе функции активны (= стандартная настройка)

## 9.19. Включение смены дисплея

Прокрутка дисплея означает, что на дисплее [1] попеременно отображаются температура и влажность (опция) (10-секундный интервал)

Для этого устройство управления должно находиться в режиме эксплуатации *FIN* или *FEU*.

Нажать на кнопку Mode [7], пока не загорится контрольный индикатор освещения [2].

Одновременно нажать и удерживать 3 секунды кнопки Минус [5] и Плюс [6].

- ▶ На дисплее [1] мигает Выкл. (= стандартное значение)

При помощи кнопки Плюс [6] изменить значение на Вкл. Подтвердить выбор при помощи кнопки Mode [7].

- ▶ Контрольный индикатор режима ожидания [8] светится.

## 9.20. Установка программы доп. сушки

Возможна установка продолжительности и температуры программы доп. сушки.

Для этого устройство управления должно находиться в режиме эксплуатации *FEU*.

Нажать на кнопку Mode [7], пока не загорится контрольный индикатор влажности [3].

Одновременно нажать и удерживать 3 секунды кнопки Плюс [6] и Минус [5].

- ▶ На дисплее [1] мигает 0 (= стандартное значение)

При необходимости отображаемое значение температуры теперь можно откорректировать с помощью кнопок Плюс / Минус (от -9 до +9).

Нажать на кнопку Mode [7]

- ▶ Контрольные индикаторы режима ожидания [8], таймера [10] и влажности [3] светятся
- ▶ Установленное время доп. сушки для нагревания и вентиляторов мигает на дисплее [1] (0–120 мин; 15 мин = стандартное значение)

Выбрать при помощи кнопок Минус [5] / Плюс [6] необходимое значение.

Нажать на кнопку Mode [7]

- ▶ Контрольные индикаторы режима ожидания [8] и таймера [10] светятся
- ▶ Установленное время для доп. сушки без нагревания, но с вентиляторами мигает на дисплее [1] (0–30 мин; 15 мин = стандартное значение)

Выбрать при помощи кнопок Минус [5] / Плюс [6] необходимое значение. Нажать на кнопку Mode [7]

- ▶ Контрольные индикаторы режима ожидания [8] и температуры [9] светятся
- ▶ На дисплее [1] мигает установленная температура для доп. сушки (70–90 °С; 80 °С = стандартное значение)

Выбрать при помощи кнопок Минус [5] / Плюс [6] необходимое значение. Подтвердить выбор при помощи кнопки Вкл./Выкл. [4].

## 9.21. Выключение блока управления сауной

Если блок управления сауной не используется продолжительное время, его необходимо выключать при помощи главного выключателя [11].

# 10. Очистка и техническое обслуживание

## 10.1. Очистка

### ВНИМАНИЕ!

#### *Повреждения устройства*

Блок управления сауной защищен от брызг воды, однако прямой контакт с водой может вызвать повреждение устройства.

- ЗАПРЕЩАЕТСЯ погружать устройство в воду.
- Не наливать на устройство воду.
- Не очищать устройство слишком мокрой салфеткой.

1. Смочить чистящую салфетку в мягком мыльном растворе.
2. Хорошо отжать чистящую салфетку.
3. Осторожно протереть корпус блока управления сауной.

## 10.2. Техническое обслуживание

Блок управления не нуждается в техническом обслуживании.

# 11. Утилизация



- Утилизировать упаковочные материалы в соответствии с действующими стандартами по утилизации.
- Устройства содержат материалы, которые могут быть использованы повторно, а также вредные вещества. Поэтому запрещается утилизировать устройство вместе с бытовым мусором. Утилизировать исключительно в соответствии с действующими правилами утилизации.



## 12. Устранение неполадок

### 12.1. Сообщения об ошибках

Блок управления сауной имеет диагностическую программу, которая проверяет состояние системы после включения и во время эксплуатации. При обнаружении ошибки или неполадки блок управления отключает нагреватель сауны.

Символы режимов мигают, и на дисплее **1** отображается номер ошибки. Выключить блок управления сауной с помощью главного выключателя и устранить неполадку, прежде чем включить блок управления сауной снова.

В нижеследующей таблице приводится описание неполадок и причин, которыми они могут быть вызваны. При необходимости сообщить код ошибки в службу поддержки.

Неполадка №	Описание	Устранение/причина
-5	Панель управления не подключена.	Панель управления не подключена или плохой контакт.
-10	Панель управления больше не подключена после того, как хотя бы одна из них была распознана во время запуска.	Проверить контакт с панелью управления.
-21	Датчик температуры нагревателя сломан.	Неисправный датчик температуры или плохой контакт.
-22	Короткое замыкание датчика температуры нагревателя.	Неисправный датчик температуры или короткое замыкание.
-24	Датчик температуры скамейки сломан.	Неисправный датчик температуры или плохой контакт.
-25	Короткое замыкание датчика температуры скамейки.	Неисправный датчик температуры или короткое замыкание.
-26	Датчик влажности сломан.	Неисправный датчик влажности или плохое/неправильное подключение.
-27	Короткое замыкание датчика влажности.	Неисправный датчик влажности, плохое/неправильное подключение или короткое замыкание датчика влажности.
-30	Неисправный термopредохранитель.	Неисправный датчик нагревателя, плохой контакт или термopредохранитель не подключен.

## 12.2. Предохранители

Предохранители для электроники и освещения расположены в зоне подключения базового модуля. Их можно заказать по артикулу 1-30-174 (10 шт.).

На плате расширения есть предохранитель для вентилятора.

## 12.3. Коррекция температуры

Можно откорректировать отображаемое значение температуры. Это можно сделать в диапазоне  $-9\text{ °C} / +9\text{ °C}$ .

Для этого устройство управления должно находиться в режиме эксплуатации *FIN*.

Нажать на кнопку Mode [7], пока не загорится контрольный индикатор температуры [9].

Одновременно нажать и удерживать 3 секунды кнопки Плюс [6] и Минус [5].

▶ На дисплее [1] мигает Выкл.

Одновременно нажать и удерживать 3 секунды кнопки Вкл./Выкл. [4] и Mode [7].

▶ На дисплее [1] мигает 0 (= стандартное значение)

Отображаемое значение температуры теперь можно откорректировать с помощью кнопок Плюс [6] и Минус [5] ( $\Delta t$ : от  $-9\text{ °C}$  до  $+9\text{ °C}$ ).

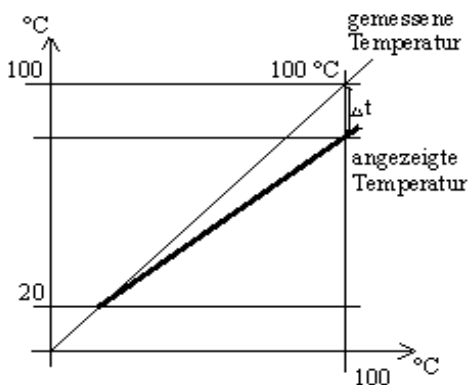


Рис. 7: Коррекция температуры

## 13. Технические характеристики

### Условия внешней среды

---

Температура хранения:	от -25 до +70 °C
Влажность воздуха:	макс. 95% без конденсата

### Блок питания

---

Размеры (Ш x В x Г):	320 x 220 x 110 мм
Температура внешней среды:	от 0 °C до +50 °C
Напряжение подключения / три фазы 3N:	400 В перем. тока
Частота:	50 Гц
Мощность включения / нагревательный элемент:	3 x 3,7 кВт
Ток включения на фазу / нагревательный элемент:	16 А
Мощность включения / испаритель (опция):	3 кВт
Ток включения / испаритель (опция):	16 А
Степень защиты:	IP65
Предохранитель:	1 А, инерционный
Подключение к сети электроснабжения (стационарное)	

### Панель управления

---

Провод подключения:	RJ10, 4-полюсный
Размеры (Ш x В x Г):	92 x 120 x 44,5 мм
Температура внешней среды:	от 0 °C до +100 °C
Монтажное отверстие (Ø x Т):	Ø 70 x 35 мм
Степень защиты:	IP54

### Освещение

---

Мощность включения:	100 Вт
Предохранитель:	1 А, инерционный

### Вентилятор

---

Мощность включения:	100 Вт
Предохранитель:	4 А, инерционный

RU



### ***Диапазон регулировки***

---

Температура:	от 30 °C до 110 °C
Влажность:	от 30 % до 99 %

При этом максимально настраиваемая влажность зависит от температуры сауны. Чем выше температура сауны, тем ниже максимальное настраиваемое значение влажности.

### ***Термопредохранитель***

---

Датчик нагревателя с термопредохранителем (температура отключения: 139 °C)  
Автоматическое ограничение времени нагрева, с возможностью регулировки (от 1 до 12 часов)\*  
Два режима: с одним или с двумя датчиками

### ***Провода подключения***

---

Подключение к источнику питания:	мин. 5 x 2,5 мм <sup>2</sup>
Подключение к нагревателю (термоустойчивость до 150 °C):	мин. 2,5 мм <sup>2</sup>
Подключение датчиков (термоустойчивость до 150 °C):	0,5 мм <sup>2</sup>
Подключение освещения:	1,5 мм <sup>2</sup>
Подключение вентилятора:	1,5 мм <sup>2</sup>

\* Согласно стандарту EN 60335-2-53 максимальное время нагрева частных саун составляет 6 ч. Максимальное время нагрева саун, используемых в гостиницах, жилых домах и других аналогичных местах, составляет 12 ч.









sentiotec GmbH | Division of Harvia Group | Wartenburger Straße 31, A-4840 Vöcklabruck  
T +43 (0) 7672/22 900-50 | F -80 | [info@sentiotec.com](mailto:info@sentiotec.com) | [www.sentiotec.com](http://www.sentiotec.com)