

## INSTALLATION INSTRUCTIONS FOR THE 100mm 4"/ 120mm 5"/ 150mm 6"/ MM2 (240/130mm), MM-S and LOW VOLTAGE EXTRACTOR FANS

### NOTE

Switch off mains supply before making any electrical connection or maintenance. If in any doubt contact a qualified electrician.

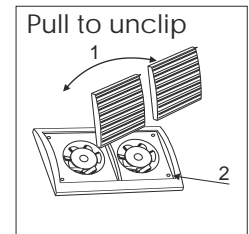
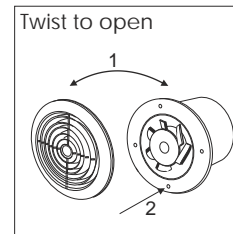
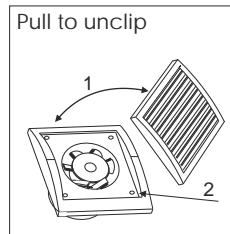
- I. For best results always install the fan in the furthest window wall or ceiling from the main air inlet point and at a high level. This will ensure maximum airflow of fresh air throughout the room.
- II. Always use our low voltage or In-line duct fans to ventilate a shower cubicle. The transformer of the low voltage fan must be sited out of reach of any person using the bath or shower.
- III. All wiring must comply with IEE Regulations. The power cable must be a minimum of 1mm sq in section.

1. Cut a hole in the wall to suit the fan and ducting  
Ø100mm/4"(MM100); Ø123mm/5"(MM120);  
Ø155mm/6"(MM150); MM2(240/130mm)). If the fan is to be fixed in the ceiling ensure that the hole is between the joists.

2. Fit ducting flush to the plaster of the wall or ceiling.  
Unclip the front grill Fig A (1)

3. Hold the body of the fan against the wall or ceiling and mark the fixing holes Fig A (2) and the cable entry.

4. Bring the power cable into position. For correct connection refer to the wiring diagrams (Fig B, Fig C, Fig D, Fig E) for the different models.



**Fig A.**

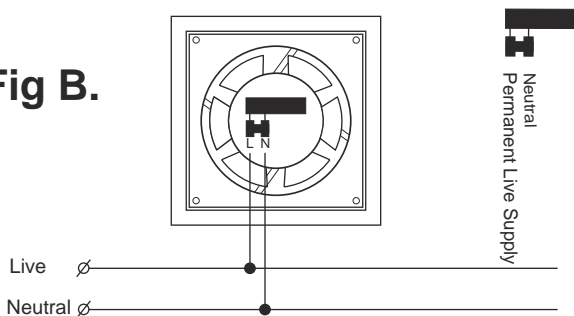
(1) Front Grille  
(2) Fixing Holes

5. Use wall plugs and fixing screws to fix the fan to the wall or ceiling.

**NOTE:** If the fan is fitted with back shutter, make sure the shutter is in vertical position.

### BASIC FAN, MM-S for sauna/steam room; LIGHT RELAY AND TIMER

**Fig B.**

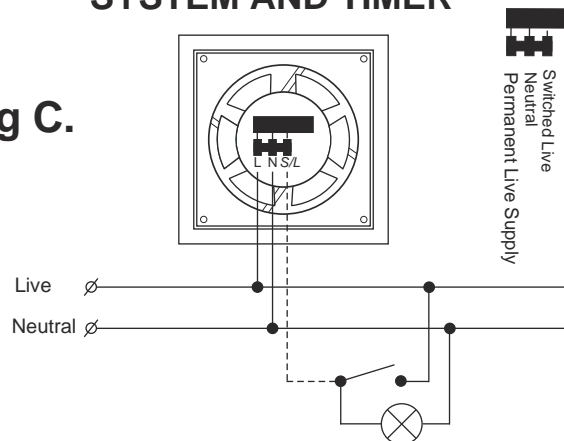


**Standard** The fan is connected to the light switch or to a separate pull-cord switch and will operate from the pull-cord switch or when the light is switched on.

**Light Relay and Timer** The fan will operate when the room is lit and the built-in timer ensures operation for 5 minutes after the light is switched off.

### WITH TIMER; HUMIDITY CONTROL SYSTEM AND TIMER

**Fig C.**



**With Timer** The fan is connected to the light switch and will operate when the light switch is switched on or from a separate pull-cord switch. The built-in timer will ensure operation for 5 minutes after the light is switched off.

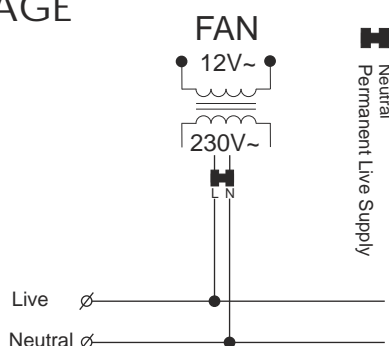
**With Humidity Control System and Timer**

a) The fan will operate when the light switch is switched on. The timer ensures operation for 5 minutes after the light is switched off and the humidity is below 70%.

b) The fan will operate when the humidity in the premises reaches over 70%. The built-in timer will ensure operation for 5 min. after the humidity is reduced below 70%.

### LOW VOLTAGE BASIC FAN

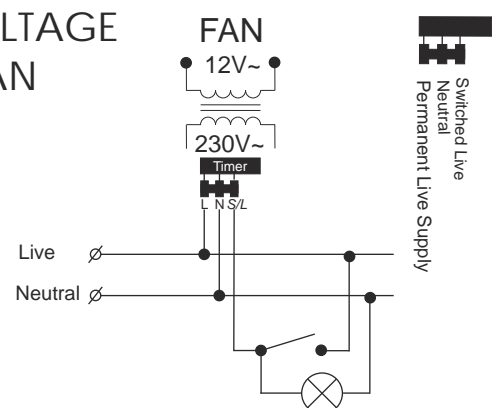
**Fig D.**



**Note:**  
The transformer must be sited out of reach of any person using the bath or shower.

### LOW VOLTAGE TIMER FAN

**Fig E.**



**Note:**  
The transformer must be sited out of reach of any person using the bath or shower.

**IMPORTANT**

- Switch off mains supply before making any electrical connections or maintenance. If in any doubt contact a qualified electrician.
- The appliance is not intended for use by children or persons with reduced physical, sensory or mental capabilities without being given supervision.
- Precautions must be taken to avoid back-flow of gases into the room from the open flue or other open-fire appliances.

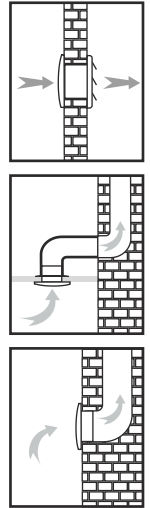
All MM series fans are designed for long life use and should not require any servicing for at least 30 000 hours of continuous operation.

As standard the electric motors of all MM series fans are manufactured with Trickle Impregnation Technology. The fans are fitted with long life double capsulated ball bearings and fan blades made from Glass Filled Polyamide (advanced engineering material resisting 200°C).

The MM-S fan for sauna and steam room is entirely housed in Glass filled Polyamide, fitted with high temperature resistant double capsulated ball bearings and high temperature wiring. The MM-S fan is designed to operate for up to 140°C.

## Technical data

Type	Nominal voltage	Spinning frequency	Maximum debit	Consumed power	Consumed electricity	Protection degree	Max Air Tem	Max Noise Level at 1m distance	
	Hz/V	min <sup>-1</sup>	m <sup>3</sup> /h	W	A	IP			
MMLV 100/105	50/12	2790	105	17	2	X4	80°C	39 dB	5 years
MM 100/60	50/230	2500	60	16	0,095	X4	80°C	39 dB	3 years
MM 100 Gold	50/230	2750	105	17	0,110	X4	80°C	41 dB	
MM 100 LUX	50/230	2750	110	18	0,125	X4	80°C	41 dB	5 years
MM 120	50/230	2650	150	18	0,125	X4	80°C	42 dB	3 years
MM 150	50/230	2650	240	46	0,385	X4	80°C	51 dB	
MM 2	50/230	2500	2x60	2x16	2x0,095	X4	80°C	36 dB	
<b>MM-S 100</b>	50/230	2750	105	17	0,110	X4	140°C	40 dB	
<b>MM-S 120</b>	50/230	2650	150	18	0,125	X4	140°C	42 dB	



## GUARANTEE

Your MMotors domestic fan comes with a free 3 or 5 years manufacturer's guarantee.

The MMotors extractor fans are fitted with double insulated high-efficiency electric motors, which are totally maintenance free and sealed for life. The embedded Long Life double capsulated ball bearings guarantee smooth operation for at least 30 000 hours.

MMotors extractor fans are manufactured to conform to the highest European standards, and we are confident that they are totally reliable. However, in the unlikely event a fault may occur, they have a full five year guarantee which covers you for manufacturing faults or parts failure.

In order to be covered for the five years, please keep your proof of purchase and return the appliance to the point of purchase where appropriate action will be taken. There is no need to complete the registration form.

### Guarantee Document:

Product.....  
 Type.....  
 Date of purchase.....

Purchaser.....

Sales person.....



ISO 9001:2008

Factory: MMOTORS  
 3 Malak Iskar str.  
 Etropole-Bulgaria  
 Fax: (+359 720) 6 36 21  
 E-mail: mmotors@mmotors-bg.com  
 www.mmotors-bg.com

**IMPORTANT**

- Switch off mains supply before making any electrical connections or maintenance. If in any doubt contact a qualified electrician.
- The appliance is not intended for use by children or persons with reduced physical, sensory or mental capabilities without being given supervision.
- Precautions must be taken to avoid back-flow of gases into the room from the open flue or other open-fire appliances.

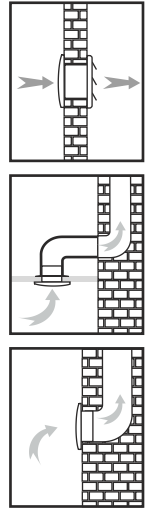
All MM series fans are designed for long life use and should not require any servicing for at least 30 000 hours of continuous operation.

As standard the electric motors of all MM series fans are manufactured with Trickle Impregnation Technology. The fans are fitted with long life double capsulated ball bearings and fan blades made from Glass Filled Polyamide (advanced engineering material resisting 200°C).

The MM-S fan for sauna and steam room is entirely housed in Glass filled Polyamide, fitted with high temperature resistant double capsulated ball bearings and high temperature wiring. The MM-S fan is designed to operate for up to 140°C.

## Technical data

Type	Nominal voltage	Spinning frequency	Maximum debit	Consumed power	Consumed electricity	Protection degree	Max Air Tem	Max Noise Level at 1m distance
	Hz/V	min <sup>-1</sup>	m <sup>3</sup> /h	W	A	IP		
MMLV 100/105	50/12	2790	105	17	2	X4	80°C	39 dB
MM 100/60	50/230	2500	60	16	0,095	X4	80°C	39 dB
MM 100 Gold	50/230	2750	105	17	0,110	X4	80°C	41 dB
MM 100 LUX	50/230	2750	110	18	0,125	X4	80°C	41 dB
MM 120	50/230	2650	150	18	0,125	X4	80°C	42 dB
MM 150	50/230	2650	240	46	0,385	X4	80°C	51 dB
MM 2	50/230	2500	2x60	2x16	2x0,095	X4	80°C	36 dB
<b>MM-S 100</b>	50/230	2750	105	17	0,110	X4	140°C	40 dB
<b>MM-S 120</b>	50/230	2650	150	18	0,125	X4	140°C	42 dB



## GUARANTEE

Your MMotors domestic fan comes with a free 3 years manufacturer's guarantee.

The MMotors extractor fans are fitted with double insulated high-efficiency electric motors, which are totally maintenance free and sealed for life. The embedded Long Life double capsulated ball bearings guarantee smooth operation for at least 30 000 hours.

MMotors extractor fans are manufactured to conform to the highest European standards, and we are confident that they are totally reliable. However, in the unlikely event a fault may occur, they have a full 3 year guarantee which covers you for manufacturing faults or parts failure.

In order to be covered for the 3 years, please keep your proof of purchase and return the appliance to the point of purchase where appropriate action will be taken. There is no need to complete the registration form.

### Guarantee Document:

Product.....  
 Type.....  
 Date of purchase.....

Purchaser.....

Sales person.....



ISO 9001:2008

Factory: MMOTORS  
 3 Malak Iskar str.  
 Etropole-Bulgaria  
 Fax: (+359 720) 6 36 21  
 E-mail: mmotors@mmotors-bg.com  
 www.mmotors-bg.com