



Technical data sheet



# Cubo Avantgarde

**Sauna heater for domestic and commercial saunas. Floor-standing model.**

Floor-standing sauna heater for dry sauna as an exclusive Avantgarde edition. Striking, distinctive design thanks to the stylish rock store extension frame with white quartz stones. The luxurious Matt Black finish on all sides perfectly completes the design - great for installation in the centre or in front of glass panels.

## Your advantages:

- Exclusive, distinctive design with specially styled rock store extension frame.
- Luxurious "Matt Black" finish on all sides including the top.
- Set of special white quartz stones included in delivery.
- Uniform appearance on all sides - perfect for installation in front of glass panel or in the centre of the sauna.
- Compact size - only 38,5 cm depth.
- Made in Germany quality from EOS.

## Specifications:

Outer shell:	Matt black powder coated steel, scratch resistant, on all sides including the top.
Top with extension:	Stainless steel, matt black finish
Rock store:	Stainless steel, above heating elements
Terminal box:	Recessed in rear wall panel, cable connection on the bottom side
Power range:	9,0 and 12,0 kW
Power supply:	400 V 3N AC 50 Hz
Dimensions (HxWxD):	72 x 40 x 38,5 cm
Stone filling:	25 kg regular stones + 15 kg quartz stones, incl. in delivery
Installation:	Floor-standing

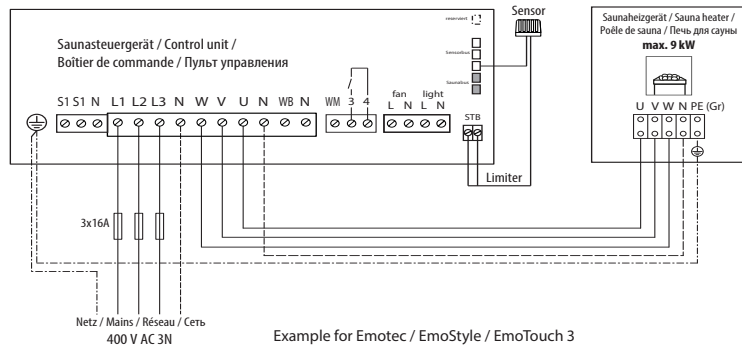


With special rock store extension frame and 15 kg white quartz stones

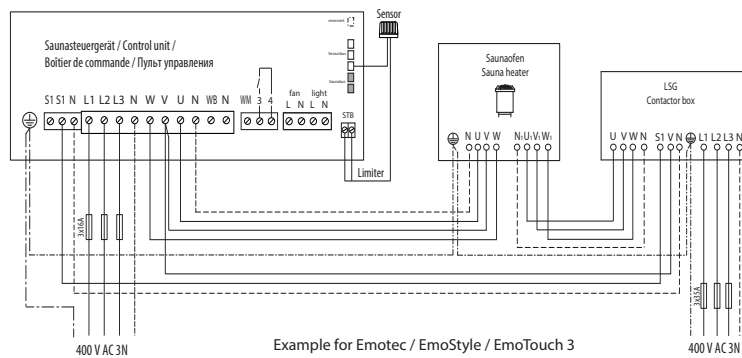
CE IPx4 MADE IN GERMANY 

### Connection diagram

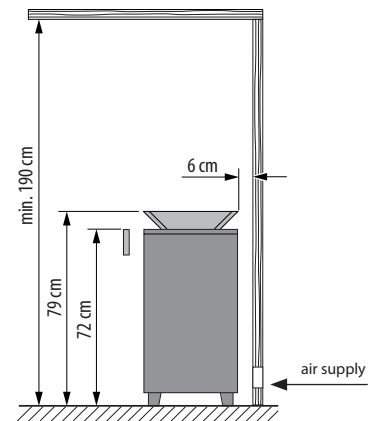
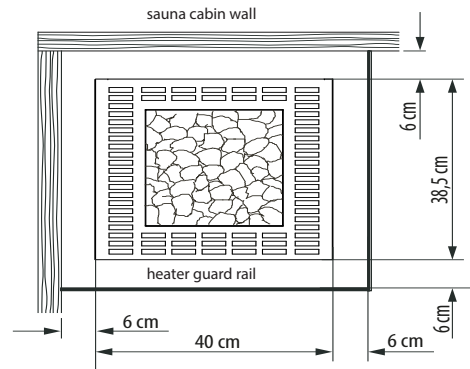
9,0 kW



12,0 kW



### Minimum clearances



### Spare heating elements

Description	Item no.
For 9,0 kW (6 x 1500 W)	20008085
For 12 kW (6 x 2000 W)	20008086

### Technical specifications

Power output	Electrical connection	Connection mains - control unit	Connection control unit - heater	Connection mains - LSG	Connection LSG - heater	Connection control unit - LSG unit
9,0 kW	3N AC 50 Hz 400 V	5 x 2,5 mm <sup>2</sup>	5 x 1,5 mm <sup>2</sup>	--	--	--
12,0 kW				5 x 2,5 mm <sup>2</sup>	5 x 1,5 mm <sup>2</sup>	4 x 1,5 mm <sup>2</sup>

All cross sections of a line are minimum diameters in mm<sup>2</sup> (copper wire).

### Suitable control units

Model	Item no.
Econ D1 (only 9 kW)	94.6136
Econ D2	94.6138
Econ D3	94.6140
Econ D4	94.5842
Emotec D	94.5559
EmoStyle D / Di series	
EmoTouch 3 series	

Item no.	Power output	Electrical connection	Fuse protection control unit	Fuse protection LSG unit	Dimensions H/W/D, in cm	For sauna cabin size	Min. size air inlet and outlet	Weight without rocks	Stone filling	Power extension required
94.7109	9,0 kW	3N AC 50 Hz 400 V	3 x 16 A	--	72 / 40 / 38,5	9 - 14 m <sup>3</sup>	35 x 6 cm	28 kg	25 kg regular stones 15 kg quartz stones	no
94.7110	12,0 kW			3 x 16 A		14 - 18 m <sup>3</sup>	35 x 7 cm			EMOTEC L09R

Druck-Nr.: 29345014 41.19