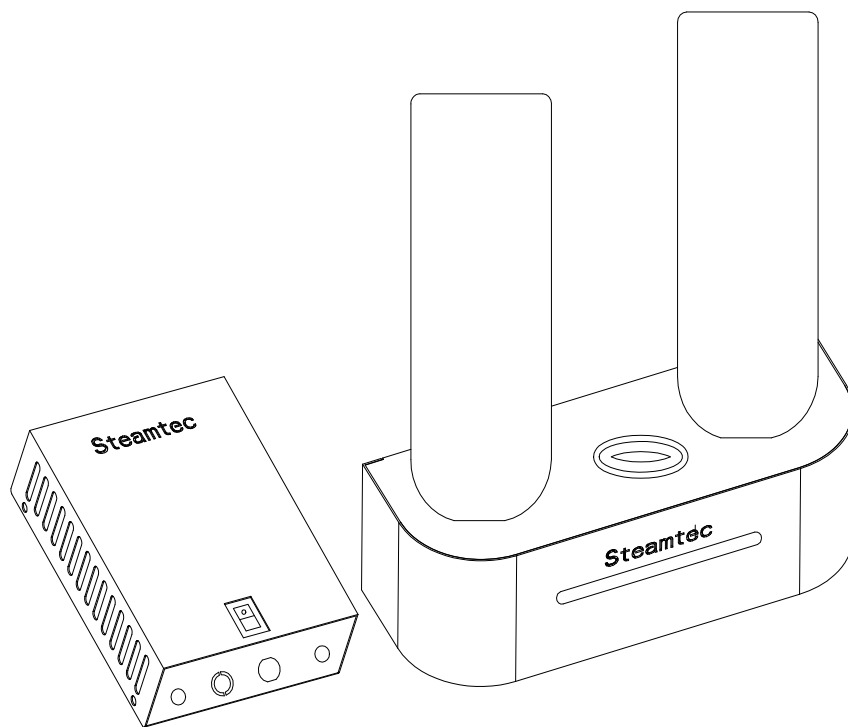


Salt Spray Generator Manual



Please read the manual carefully before installation and use
and keep the manual for further reference

Table of Contents

1. Configuration List.....	3
2. Introduction.....	4
3. Safety Warning.....	4
4. Specification And Size.....	4
4.1 Main Technical Specifications.....	4
4.2 Dimensions of the salt spray generator central box.....	5
5. Installations.....	5
5.1. Installation of the salt spray generator hanging panel.....	5
5.2. Salt spray generator wire connecting.....	6
6. Functions And Operations.....	8
7. Maintenance.....	10

1. Configuration List

When receive the salt spray generator, please check if you get complete set according to below chart, contact dealer immediately if any missing.

Item name	Quantity
Generator body	1 pc
Bottles with caps	2 sets
Hanging panel	1 pc
Screw	2 pcs
Rubber plug	2 pcs
Salt spray generator central box	1 pc
Cable (generator body -salt spray generator central box)	1 pc
Cable (light -salt spray generator central box)	1 pc
Cable (AIO central function box -salt spray generator central box)	1 pc

Table 1 AIO salt spray generator configuration list

Item name	Quantity
Generator body	1pc
Bottles with caps	2 sets
Hanging panel	1 pc
Screw	2 pcs
Rubber plug	2 pcs
Salt spray generator central box	1 pc
Cable (generator body -salt spray generator central box)	1 pc
Remote controller	1 pc

Table 2 Independently working salt spray generator configuration list

2. Introduction

The generator is able to atomize salt water or medicament into tiny particulates, and mix in the air for breathing and absorbed by skin, this is good for health.

The salt spray generator can work independently or work with our steam generator model AIO.

3. Safety Warning

- ◆ Children should be adequately supervised.
- ◆ Elderly persons, pregnant women, as well as those people not in good health, please seek medical opinions before using the salt spray generator.
- ◆ This appliance is not intended for use by person (including children) with reduced physical, sensory or mental capabilities, or lack of experience and knowledge, unless they have been given supervision or instruction concerning use of the appliance by a person responsible for their safety.
- ◆ Leave the room at once if you feel uncomfortable.
- ◆ Don't put your fingers into the generator, as it may get hurt.
- ◆ **When you go out, or may not use salt spray generator in long time, please DISCONNECT the general power supply to salt spray generator.**



Commercial operators should post a notice of these precautions in a prominent position near salt spray generator.

4. Specification And Size

4.1 Main Technical Specifications

A. Power supply: AC110-240V; Spray head working voltage: 36V;

Working current: 880mA; Rated power: 20W±5

B. Ultrasonic frequency: 1.7MHz±10%

C. Maximum spray rate≥3mL/min.

D. Spray particle of less than diameter 5um ≧ 65%.

E. Bottle water capacity : 1L per each bottle, total two bottles.

F. Noise ≦ 10db

G. 2 bottles salt water could continuously atomize for 2-4 hours. AIO model can set working time, from 1-60 minutes or CH (continuously working). The independently working model can't set working time, and need to turn off manually, but when salt water use up, it will stop working automatically.

4.2 Dimensions of the salt spray generator central box

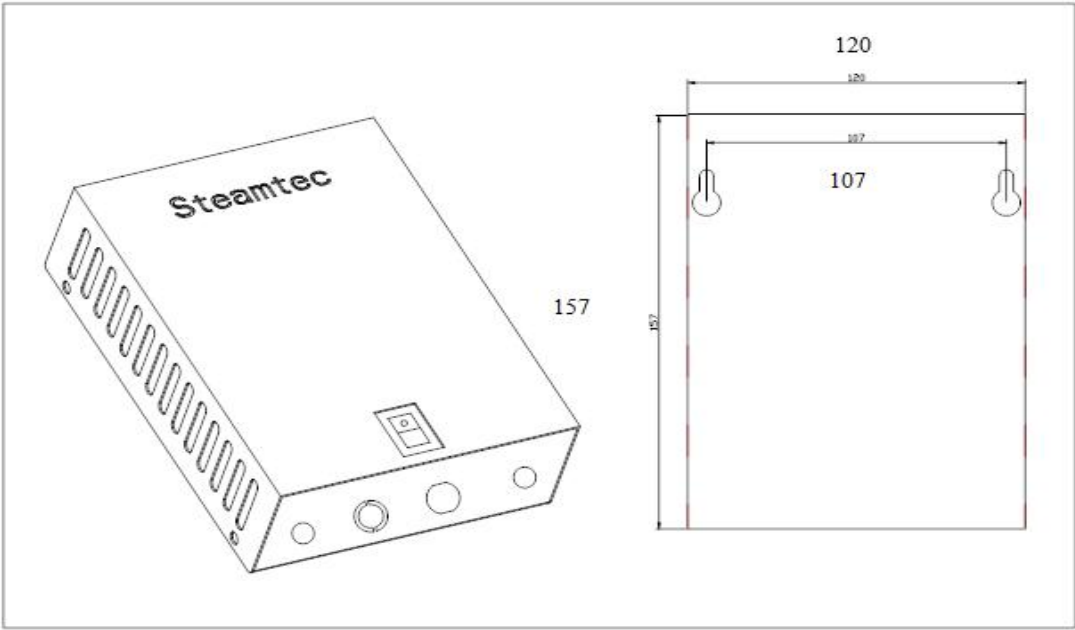


Figure 1

5. Installations

5.1. Installation of the salt spray generator hanging panel

The salt spray generator hanging panel should be installed horizontal, otherwise the machine may not be able to work normally.

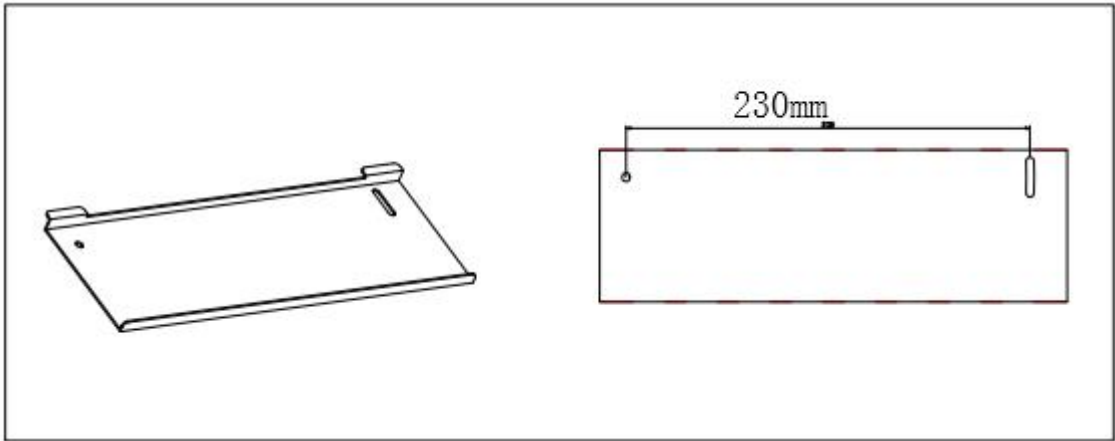


Figure 2

5.2. Salt spray generator wire connecting

Attention:

Salt spray generator central box should not be installed in a moisture place.

AIO Salt spray generator

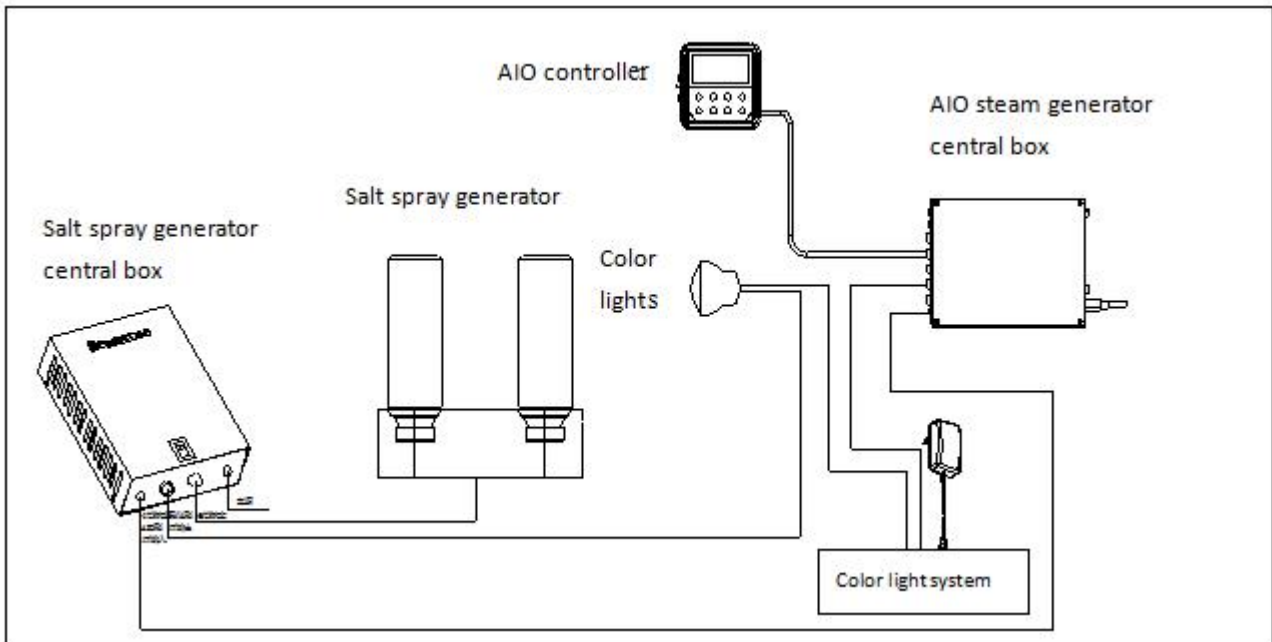
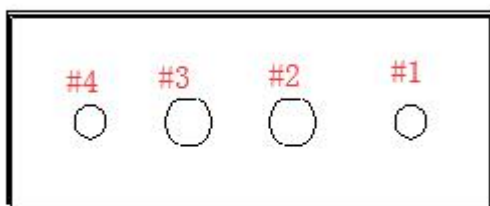


Figure 3

Figure 4: AIO Salt spray generator central box



#4	#3	#2	#1
Salt spray signal input	AIO Color lights signal input	Salt spray & Color lights signal output	Power Supply

- A. Connect the AIO steam generator central box to the salt spray generator central box DC connector #4, see figure 4.
- B. Connect the AIO colored light (the last light) to the salt spray generator central box DC connector #3, see figure 4.
- C. Connect the salt spray generator to the salt spray generator central box DC connector #2, see figure 4.

Independently working salt spray generator

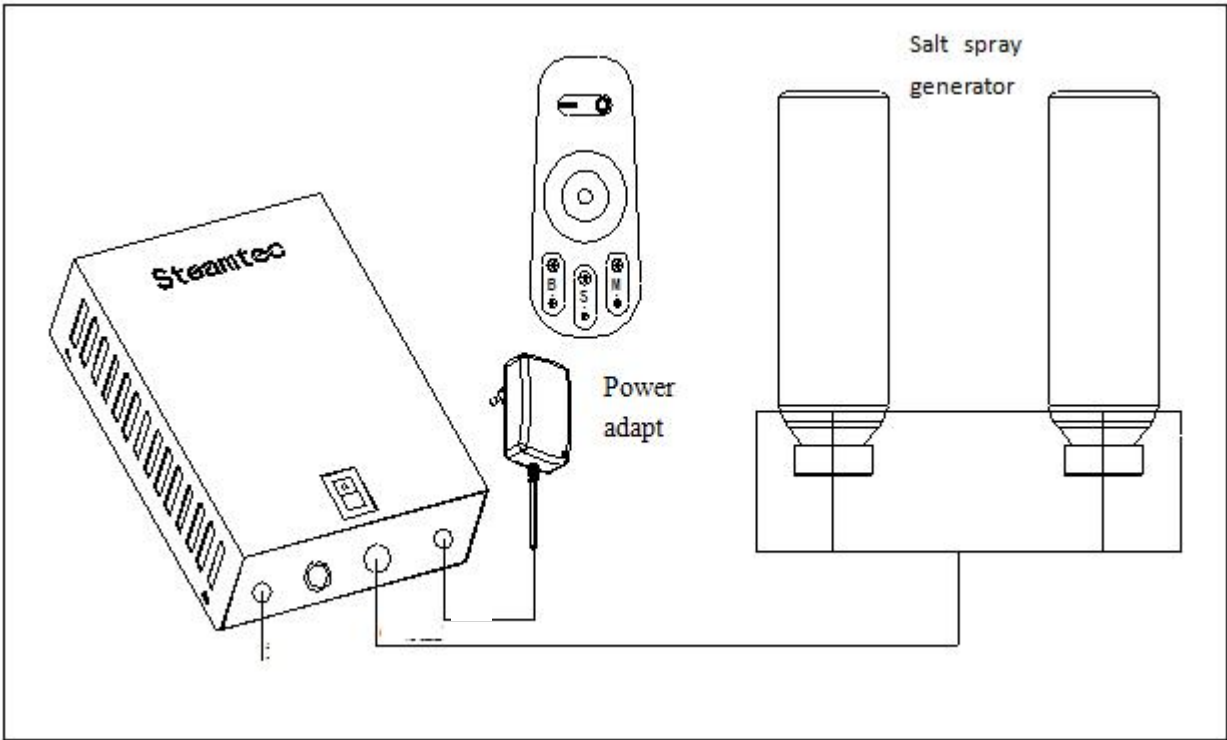
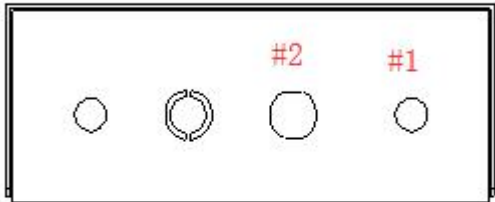


Figure 5

Figure 6: Independently working salt spray generator central box



wireless signal
Salt spray & Color lights signal output
Power Supply

Connect the salt spray generator to the salt spray generator central box DC connector #2, see figure 6.

6. Functions And Operations

Attention :

- ❖ Don't turn on the salt spray generator if no salt water in bottles.
- ❖ The generator should not be used in the conditions of flammable, explosive, highly acidic and highly basic.
- ❖ Don't rotate the head of generator or take apart when it is working.
- ❖ Don't put your fingers into the generator, as it may get hurt.
- ❖ Please do not block the cap's vent and drain hole.
- ❖ It is better to use softer water or purified water.
- ❖ Don't use highly concentration salty water, and you could dilute according to people's normal taste sense.
- ❖ Spray head of the generator is preset with "lack of water" protection, if it stops working when lack of water, please turn off the generator before refill water.
- ❖ Non-technical personnel can't disassemble the generator when it is in malfunction.
- ❖ The salt spray generator shall be out the reach of children to avoid any accident.

Fill salt water

- ❖ Take off the glass bottles, unscrew the cap, fill in salt water, screw the cap, then put the bottle back.

AIO salt spray generator

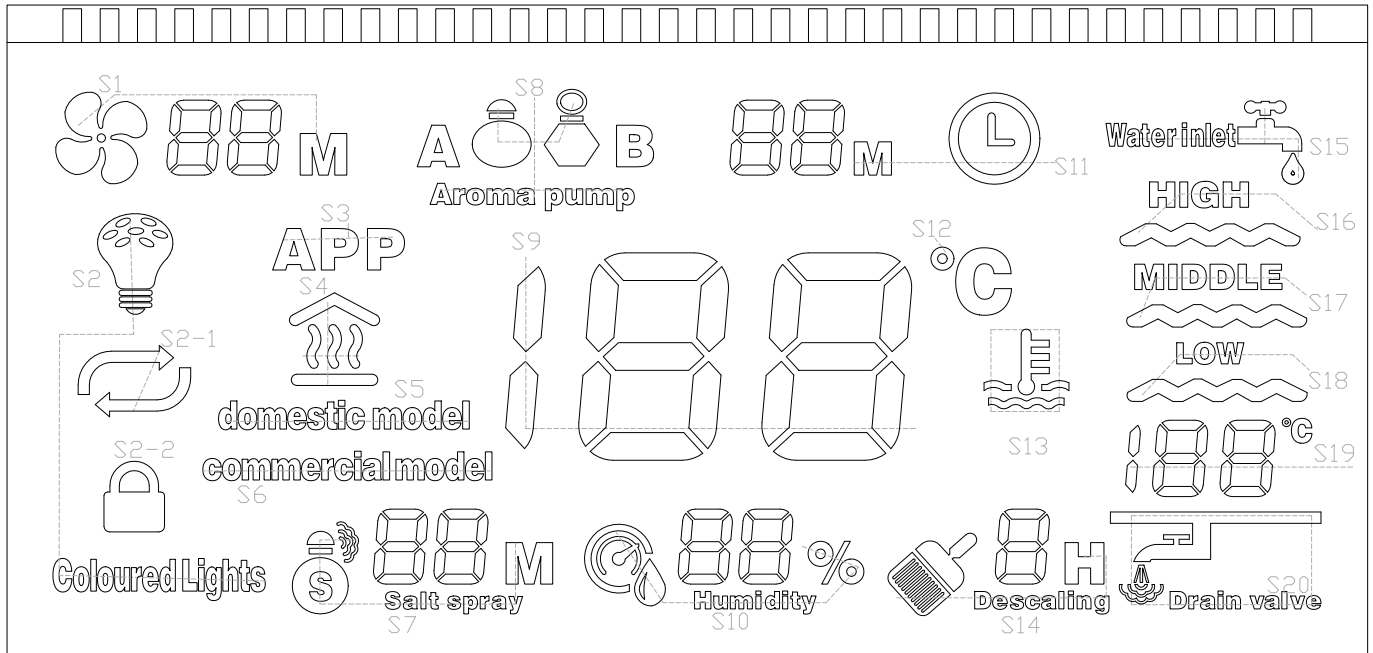
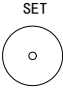



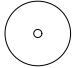


Figure 7

- ❖ S7 lights: salt spray is on. Working time is from 1~60 minutes and "EH"(non stop). The default working time is 30 minutes.

- ❖ Touch AIO steam generator controller  button until  appear, then touch  or  to adjust time, then wait for 5 seconds until back to the home page.
- ❖ Then touch  to turn on the salt spray generator.
- ❖ Turn on the AIO colored lights, then the salt spray generator will also be lighted up. They could change color or lock color (means stay at one color) at the same time, however, the colors are different as they are using different lighting system.
- ❖ If you add APP device, you could also make setting on APP, for more details, you may refer to APP manual.

Independently working salt spray generator

The remote controller can turn ON/OFF both the salt spray generator and colored lights, for colored lights, there are two working modes for choosing: color cycle (means change color automatically) or lock color (means stay at one color).

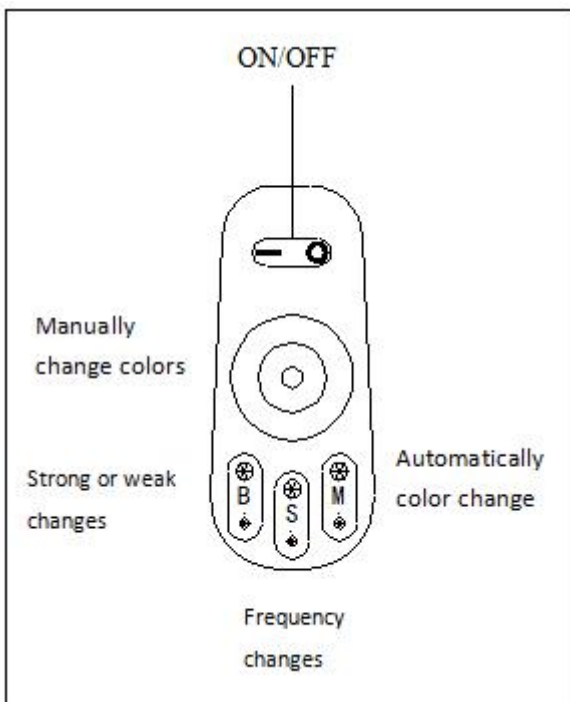


Figure 8:
Notes:
The remote control needs to use no. 7 lithium battery.
But the battery is not included, please purchase by yourself.

7. Maintenance

- ◆ The salt water container and spray head should be washed with fresh water every week. The end cover of generator should NOT be washed directly with water, you could wipe with a clean wet towel. Don't wash it with alcohol, chemicals or hot water.
- ◆ When not in use for a long time, the remaining water should be poured off, cleaned and stored in a cool, ventilated place.