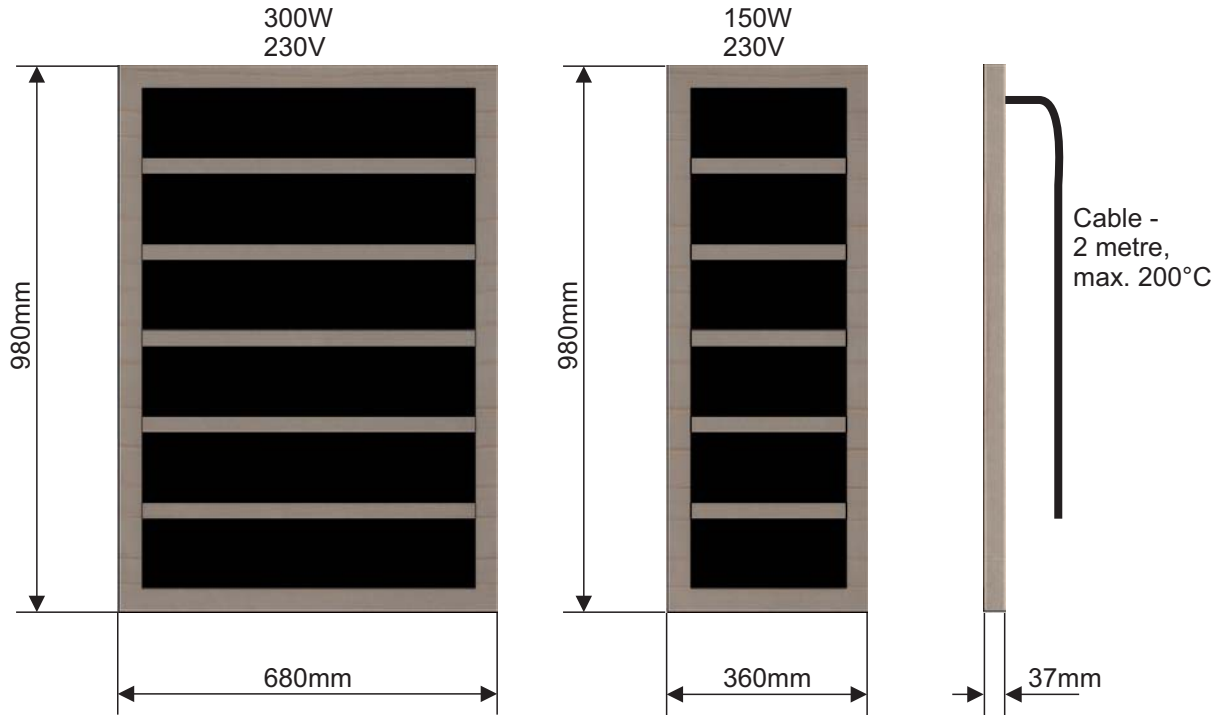


INFRA PANEL

980x680 / 980x360



Dimensions

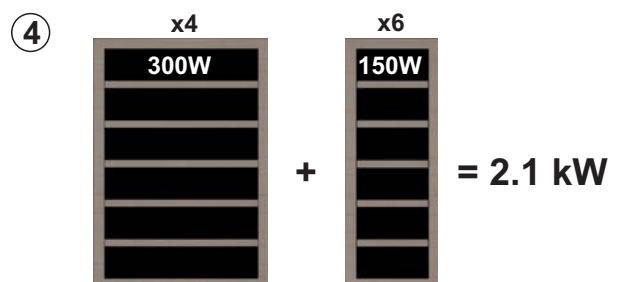
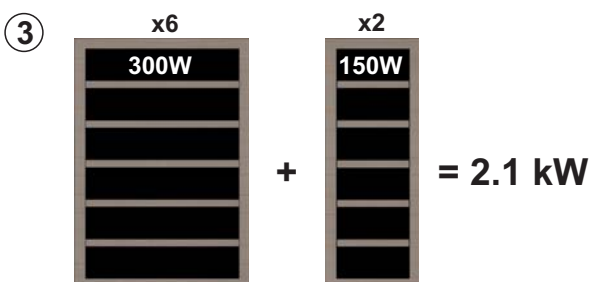
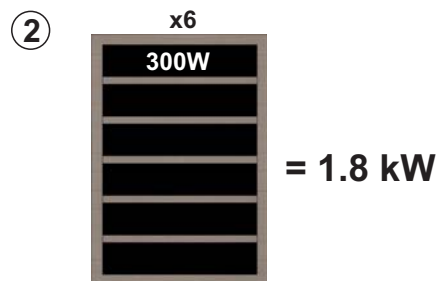
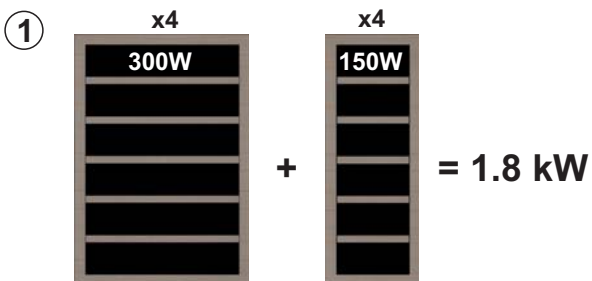


Product combinations for Infra



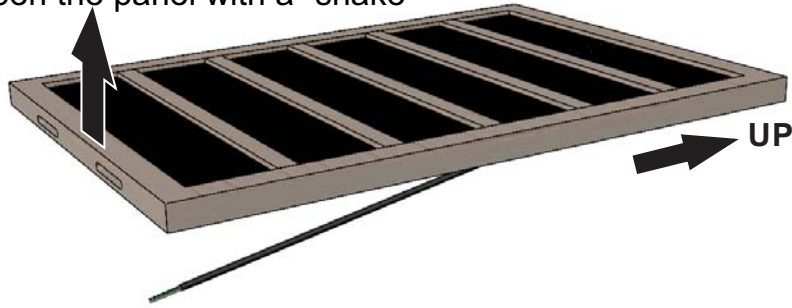
Number of Infra panels - examples

Sauna heater Sense Elite - Max. 2.2 kW
Relay box Commercial Lite - Max 2.3 kW



Open the Infra panel

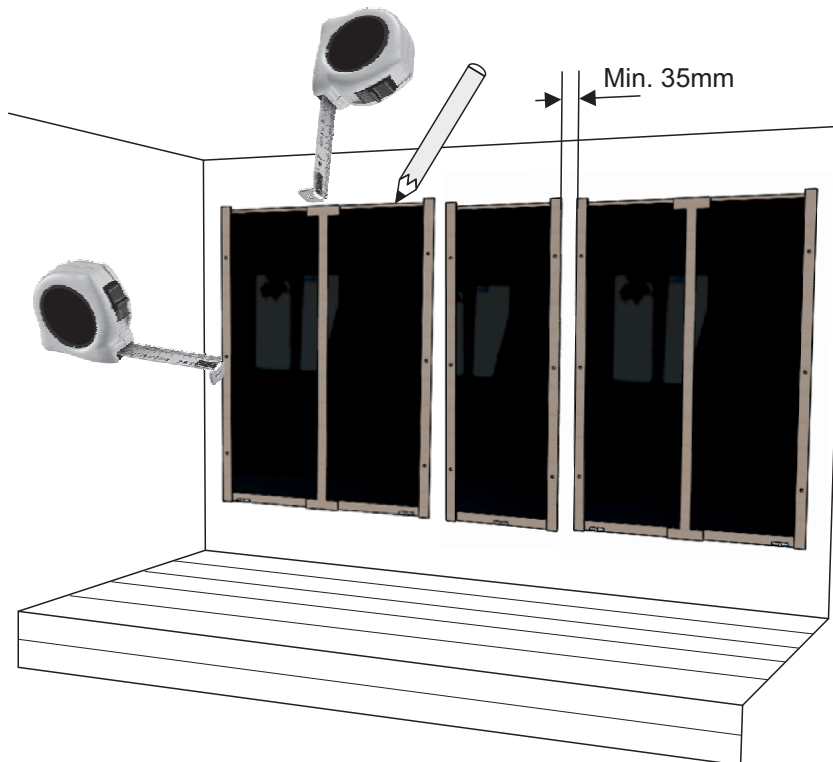
Open the panel with a "shake"



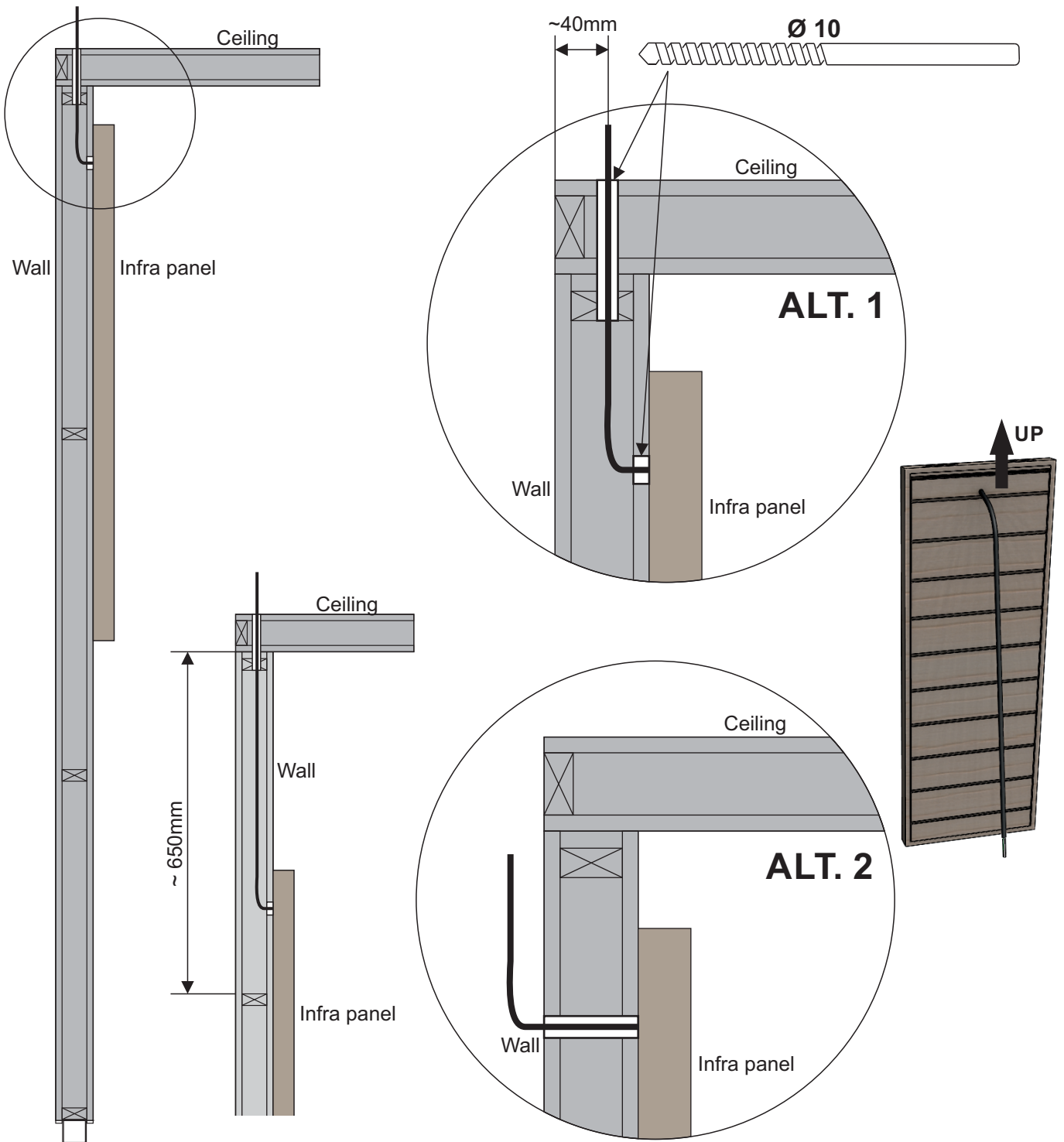
Push the front upwards



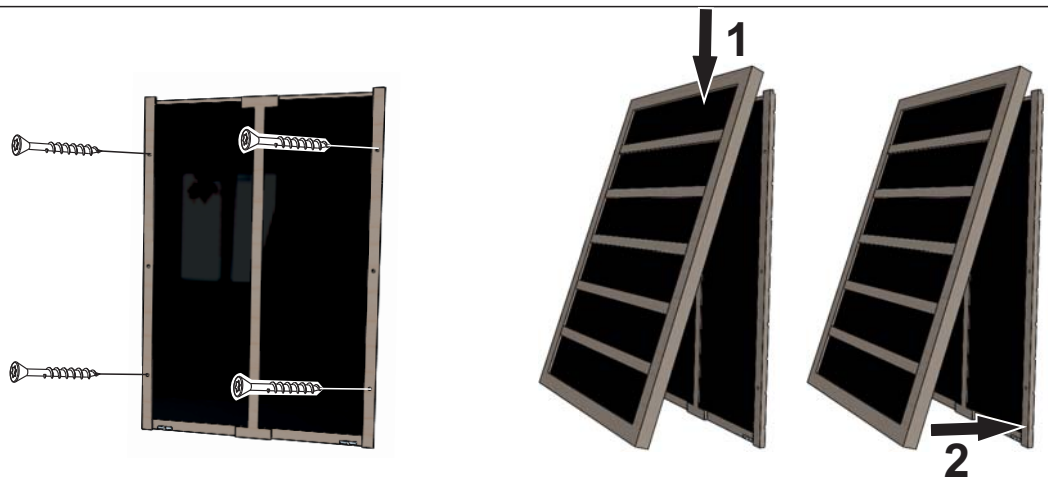
Measure and mark where the panels will be mounted NB! Keep in mind that the front should fit



**Drill holes through the wall/ceiling for the cables.
Pull the cables through the holes.**

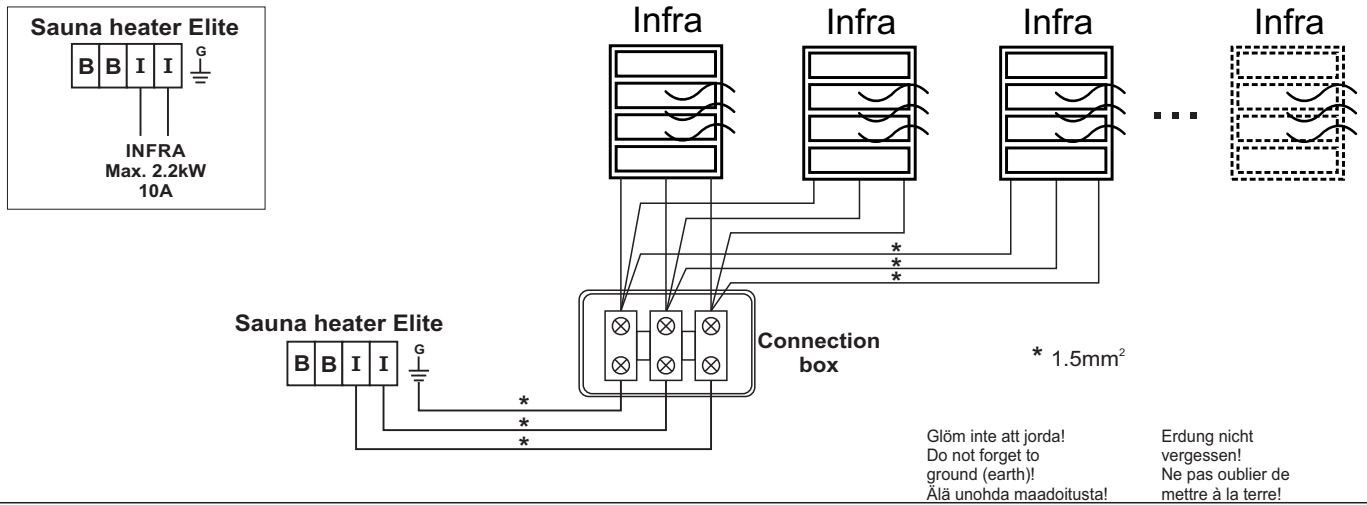


Mount the Infra panels with screws and put the front back

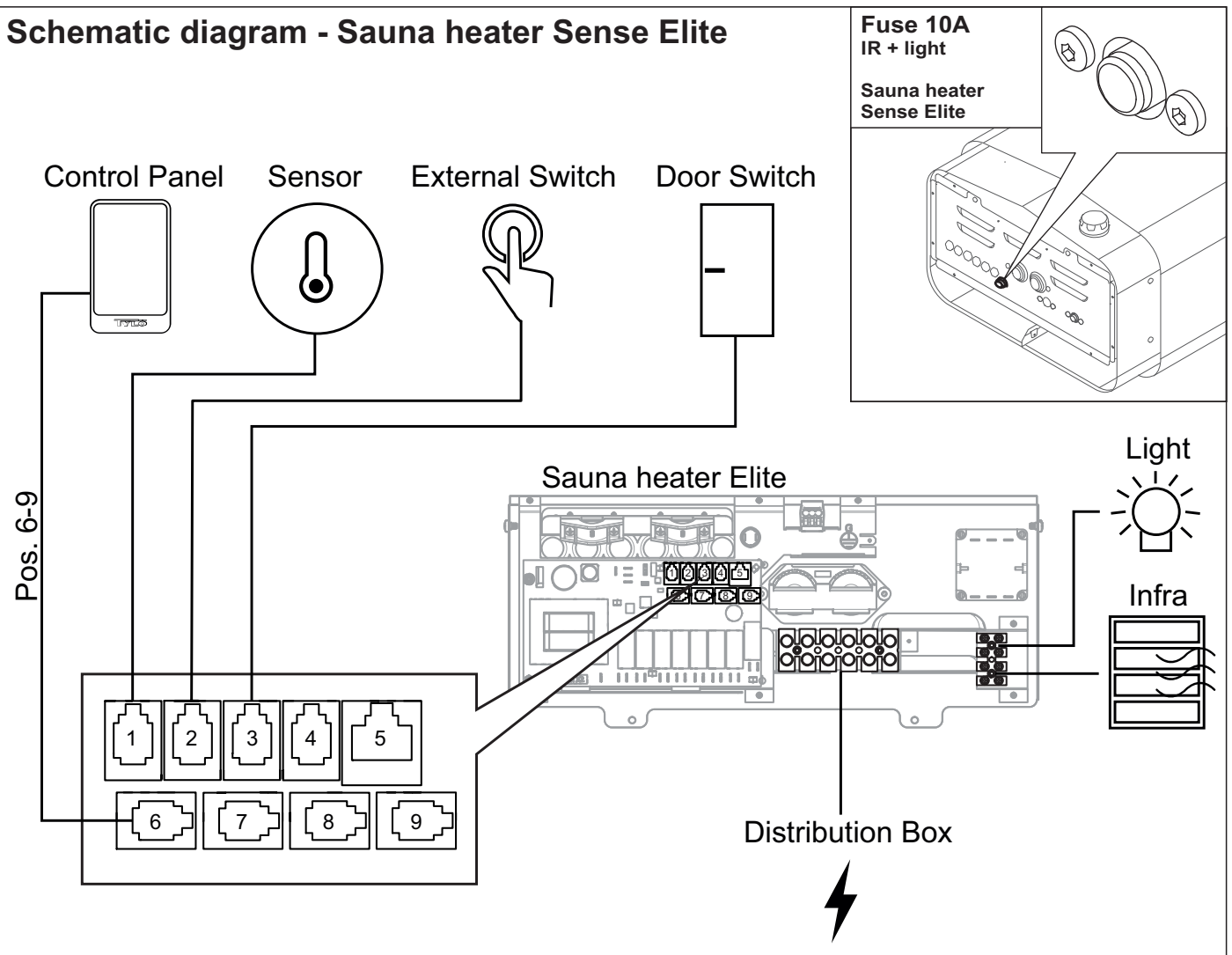


Combination: Sauna heater Sense Elite and Infra panels

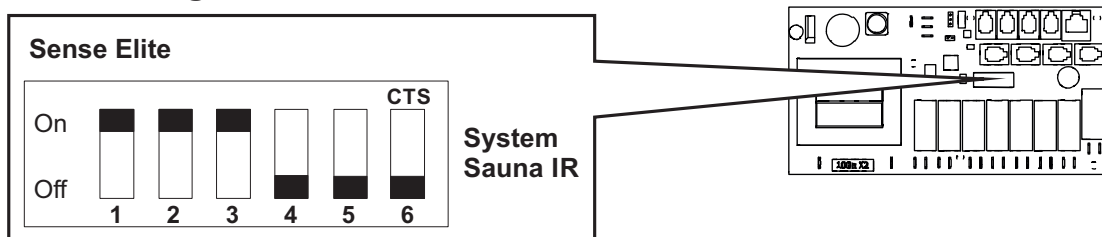
Connection diagram - Sauna heater Sense Elite and Infra panels



Schematic diagram - Sauna heater Sense Elite

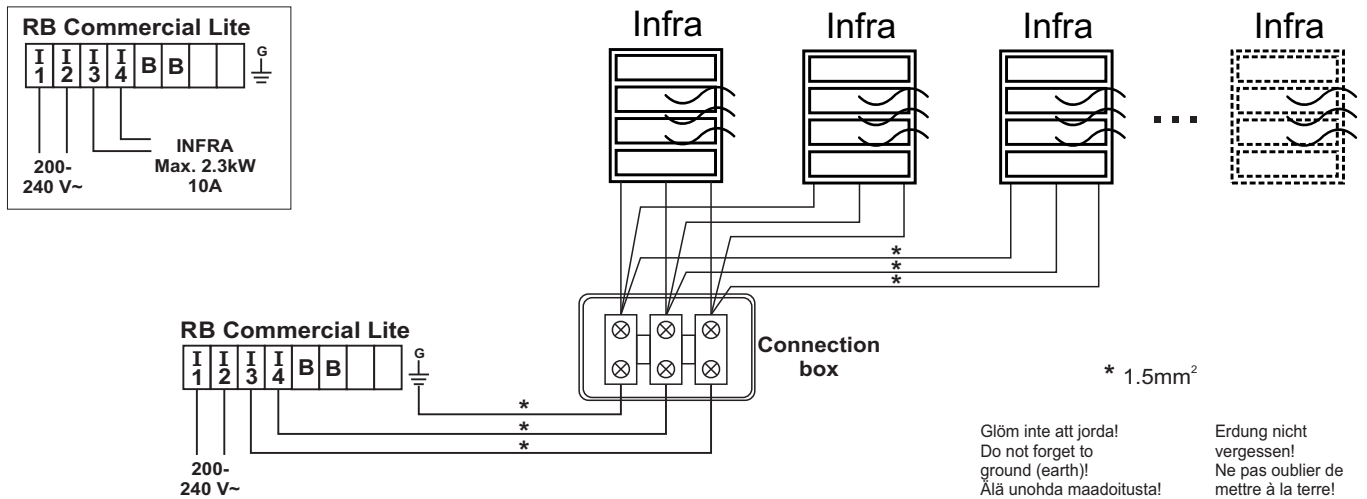


DIP switch settings

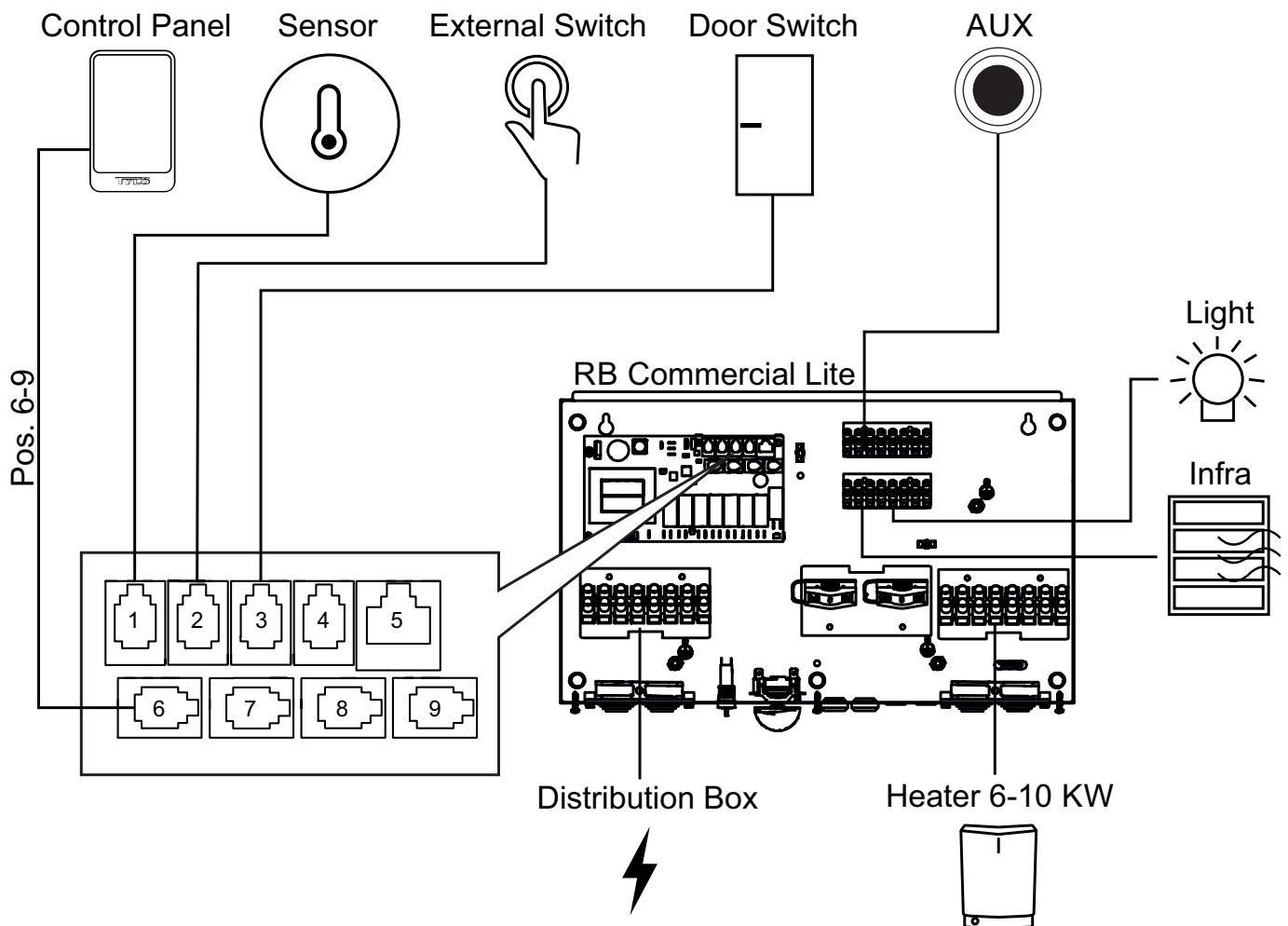


Combination: Relay box Commercial Lite and Infra panels

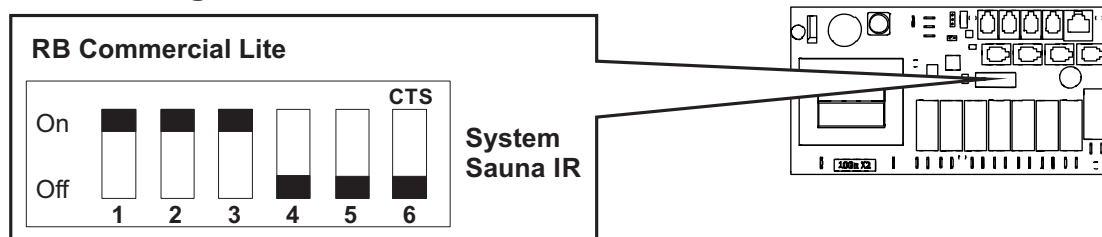
Connection diagram - Relay box Commercial Lite and Infra panels



Schematic diagram - RB Commercial Lite



DIP switch settings

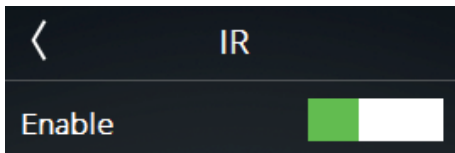


User manual Infra - control panel Elite

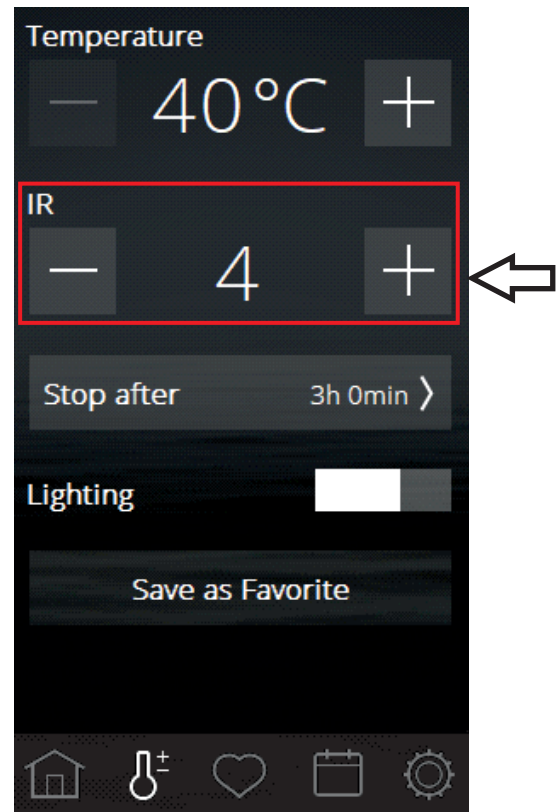
How to enable IR operation.



1. Go to configure menu - IR



2. Press Enable



3. Go to settings – Now settings for IR (Scale 0-10) are shown. IR are ready to use.

| IR | ON | OFF |
|----|----------------------|--------------|
| 0 | 0 | 4 min 20 sek |
| 1 | 1 min 52 sek | 2 min 28 sek |
| 2 | 2 min 09 sek | 2 min 11 sek |
| 3 | 2 min 25 sek | 1 min 55 sek |
| 4 | 2 min 41 sek | 1 min 39 sek |
| 5 | 2 min 57 sek | 1 min 23 sek |
| 6 | 3 min 14 sek | 1 min 06 sek |
| 7 | 3 min 29 sek | 0 min 51 sek |
| 8 | 3 min 45 sek | 0 min 35 sek |
| 9 | 4 min 01 sek | 0 min 19 sek |
| 10 | Continuous operation | |

Chart IR scale 0-10, operation time

Function of IR.

Info!

- When IR panel is heating then max 2 output (effect) in the sauna heater can be active at the same time. This means that the sauna heater does not operate at full power, while the IR heats. This is normal and nothing wrong. When the IR panel is in pause mode, full power is allowed on the sauna heater, if required. This built-in monitoring occurs automatically in systems.
- Infraheaters controlled by time (IR scale 1-10) Sauna heater controlled by set temp.
- Temperature range for allowed IR operation is only within setpoint temperature 40>60°C.

When temperature set to 40°C:



Sauna heater is completely shut off during ongoing bath, only IR heater according to set IR scale 0>10 are in operation. Set IR scale are displayed together with set temperature on home screen.

When temperature set to 41>60°C:



IR heater according to set IR scale are in operation together with sauna heater. Set IR scale are displayed together with set temperature on home screen.

When temperature set to 61>110°C:



IR heater is completely shut off during ongoing bath, regardless of which IR scale is set. Only sauna heater is in operation. Set IR scale is not displayed on home screen, only set temperature is displayed.

When IR set to 0:



IR operation is completely shut off during ongoing bath, regardless of which temperature is set. Only sauna heater according to set temperature is in operation.

When IR set between 1>10:



IR heater according to set IR scale are in operation provided that temperature is set between 40>60°C. IR operation is controlled by time, according to Chart IR scale 0>10. Operation time.

Info!

The set IR scale is displayed only on home screen when temperature is set between 40>60°C. So when you see IR scale, you know that IR is in operation and heating according to set scale. If Set IR scale is not displayed, you know that IR is completely shut off.



IR in Operation



IR completely shut off

IR during Standby operation:

- IR operation is not allowed during standby operation. IR can only be used with bath.
- During standby operation only sauna heater is preheated. Then when bath is started thru control panel Elite or external switch, the IR heater will start. Note! IR only start if set temperature is between 40>60°C and set IR scale is between 1>10.

Forced preheating:

- Forced preheating in 20min of IR starts when IR operation is activated first time during ongoing bath. Forced preheating is dependent on Real-temp in room vs set temp. Forced preheating is only allowed to start once during a bath.
- Forced preheating of IR is never given when Real-temp in room is the same as set temp or higher during operation.

Interlock when to high temperature in room:

If the Real-temperature in room reaches 68°C during ongoing bath when IR is in operation (set temperature between 40>60°C) then IR operation is paused automatically until temperature drops down to at least 67°C, then IR starts again. This function works hidden in the system, no notice is displayed when the pause occur.