

NARVI STEAM READY SAUNA HEATERS

4,5 kW	905001	haze blue	905004	stainless steel
6,0 kW	905002	”	905005	”
9,0 kW	905003	”	905006	”

TABLE OF CONTENTS

1. GENERAL	1
2. TECHNICAL SPECIFICATIONS	1
3. CONTROL UNIT AND MAINS SWITCH	2
4. TURNING HEATER ON AND ADJUSTING STANDBY HEAT	2
5. TURNING ON FULL POWER	2
6. THERMOSTAT	2
7. OVERHEAT PROTECTION	2
8. PLACEMENT OF SAUNA HEATER STONES	3
9. HEATING THE SAUNA ROOM FOR USE	3
10. WARNINGS	3
11. MALFUNCTIONS	4
12. SAUNA ROOM	4
13. VENTILATION OF SAUNA ROOM	4
14. INSTALLER INSTRUCTIONS	4
15. ELECTRICAL CONNECTIONS	5

1. GENERAL

- Narvi Steam Ready sauna heater is a heater for a well-insulated sauna
- Steam Ready is suitable for people that use the sauna during several days of the week without planning for it in advance
- With the standby power engaged, the stove is immediately ready to use
- Due to the residual heat emitted by the heater, no additional heating is needed to keep the sauna dry

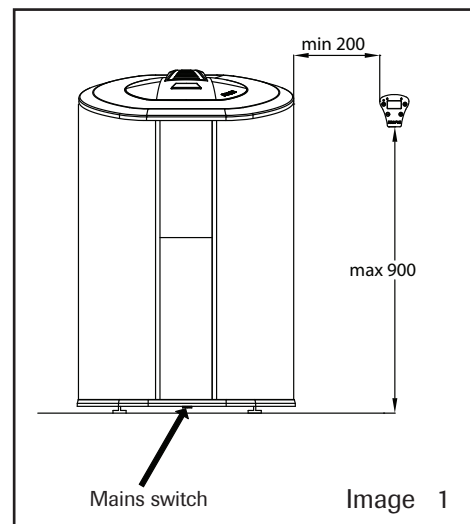
2. TECHNICAL SPECIFICATIONS

Model	Power kW	Heat-retention function W	Steam room			Power voltage	Connection*)	
			Volume		Height min. cm			Fuses A
			min. m ³	max m ³				
905001/905004	4,5	500	5	8	190	400V3N	5x1,5	3x10
905002/905005	6	650	7	12	190	400V3N	5x1,5	3x10
905003/905006	9	1000	10	14	190	400V3N	5x2,5	3x16

*) Som anslutningskabel en gummikabel H07RN-F eller motsvarande

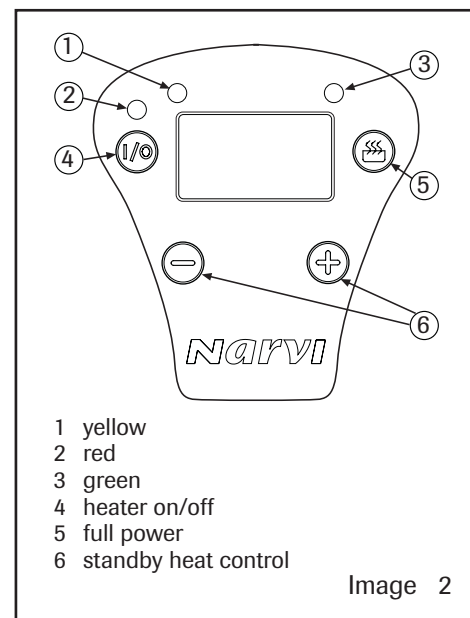
3. CONTROL UNIT AND MAINS SWITCH

- The control unit is installed in the sauna or the dressing room.
- The installation height of the control unit is a maximum of 90 cm and a minimum of 20 cm from the side of the heater (See image 1)
- Secure the control unit to the wall using screws (2 X 3.5 *15)
- The chord leading to the control unit can be shortened. The chord cannot be inserted into the connection casing of the heater.
- The mains switch of the heater is located on the front lower part of the heater.



4. CONNECTING THE HEATER AND ADJUSTING THE STANDBY POWER

- I/O key (see image 2)
- When the screen is blank, pressing the key will activate the control unit and the heater. The key must be placed for over a second. The red light will illuminate
- After pressing the key again, the green light will flash. The heater standby temperature can be adjusted (between 150 and 220 degrees).
- The heater will return to its standby power mode in approximately 5 seconds. The display will show the stone housing's temperature. The standby temperature is adjusted using the +/- keys, when the function in question is on.
- Long press (<1 second) control unit + heater turned off



5. TURNING ON FULL POWER

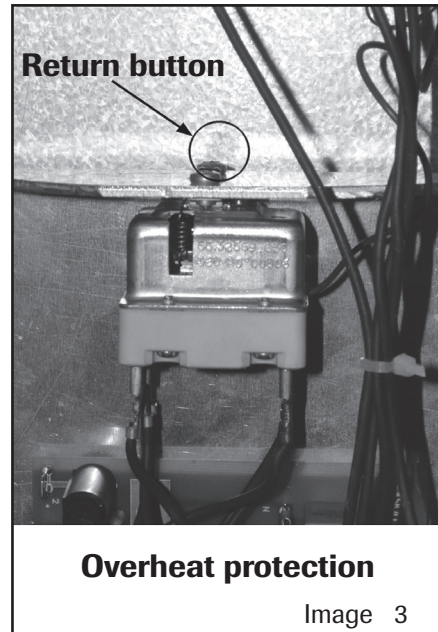
- Full power is activated by pressing the function key for approximately a second, a yellow light will illuminate on the control unit
- Full power is on for one hour at a time, after which the heater returns to its standby temperature
- Full power can be disengaged by pressing the function key for an extended time. This extinguishes the yellow light and illuminates the red one.
- Full power temperature is set by the factory and cannot be altered by the user.

6. THERMOSTAT

- The heater temperature is monitored by a thermostat
- Measuring the temperature is implemented using a heat-monitoring temperature sensor
- The thermostat will maintain the precise temperature in the stone housing of the heater, even if the heater cover would be closed and the heater would be on full power, the thermostat will prevent an excessive rise in temperature

7. OVERHEAT PROTECTION

- Once the temperature of the stone housing exceeds 320 degrees, a separate overheat protection circuit cuts the power feed to the heating elements. As a result, the following text will be displayed on the screen: Er3
- The overheat protection circuit is in the connection casing of the heater
- The overheat protection circuit can be mechanically reset by pressing the return button
- Once the heater has cooled down to under 280 degrees, the overheat protection can be restored
- Overheat protection can only be reset by a person who is certified to do electrical work.
- Turn the mains switch to the 0 position
- The return button is pressed with enough force to hear a click (see image 3)
- Turn the mains switch to the power-on position



8. PLACEMENT OF SAUNA HEATER STONES

- The electric sauna heater stones must be specific heavy and large 10-15 cm diameter cut-off stones intended for heat-retentive sauna heaters
- The use of ceramic, lightweight, or stones with few edges or of even sizes are not allowed. These may cause poor air circulation in the stone housing. Soft soapstones cannot be used as heater stones
- The stones should be rinsed with water prior to being placed in the heater
- When positioning the stones, care must be exercised to prevent the heating elements from bending or limiting air circulation
- Position the stones scarcely. If the stone housing is loaded too full, sufficient air circulation will be prevented
- The stone housing must be completely filled, while ensuring that the cover can properly close
- The heater stones should be inspected and repositioned annually and the stones should be replaced every 2-3 years
- The heater cannot be heated without the stones in place
- Initial heating of the stove must be completed twice (heat for one hour using full power).

9. HEATING THE SAUNA ROOM FOR USE

- The heater stones are ready to use for bathing due to the initial heating, but raising the temperature of the sauna room to a pleasant temperature will require some additional time
- The heater is set to full power, the cover is opened and 5-15 minutes later the sauna has reached a pleasant temperature
- Water can be thrown on the heater stones to increase the temperature in the sauna prior to bathing

10. WARNINGS

- Exercise care with the hot heater, as the stones and metal components of the heater can cause skin burns
- Water should be thrown on the heater stones in limited amounts, as steam can cause burns
- This unit is not intended for use by individuals without experience or necessary information or children or other individuals that have physical, perceptual, or intellectual characteristics that prevent them from using the unit safely. Use by these individuals should not be allowed unless it is under the supervision of the person responsible for their safety or he/she has instructed them on the safe use of the unit.
- Children must be supervised to ensure that they do not play with this unit
- Always inspect the steam room prior to turning the heater on

11. MALFUNCTION

- Low heater temperature
 - heater on standby power mode (red light is illuminated), engage full power
- The temperature increase in the sauna room is slower
 - Inspect the stones. Have the stones settled too tightly?

12. SAUNA ROOM

- In an electric sauna, all wall surfaces that retain heat should be insulated sufficiently. This allows the heater to use relatively low power.
- Protecting the walls and the ceiling using a thin protective layer, which is installed directly on the wall or the ceiling, can result in a dangerous increase in temperature in the wall and ceiling structures
- For every uninsulated wall square metre, 1.5 m³ should be added to the volume of the sauna.
- Log structures heat slowly, so when setting the heater level, the measured air volume should be multiplied by 1.5 and the result used to select the heater power level

13. SAUNA ROOM VENTILATION

- Ventilation is extremely important for using the sauna
- The fresh air vent should be at least 500 mm above the heater.
The vent's diameter is 50-100 mm
- The exit vent should be as far away from the heater as possible, but placed near the floor
- the exit air can be directed from under the sauna door to the washroom with an exit valve
- The door should have a 100-150 mm gap to the floor

14. INSTALLER INSTRUCTIONS

- Only one heater can be installed in the sauna
- If the home has electric heating, is reduction in heat necessary?
- Fuses and feed cables conform to regulations
- Narvi Steam Ready is a model that is placed on the floor, attached from the opposite corners to the floor
- The heater can be installed directly onto a wooden floor
- The direction of the water being thrown must be taken into consideration when installing the heater, as the cover of the steam hatch directs steam
- The heater should be elevated at least 30 mm using the adjustable feet
- The heater can be placed in an indented wall location with a height of at least 1900 mm (image 4)
- If the heater is integrated into the sitting area or a protective rail is installed, the provided minimum clearances must be adhered to (Images 5 and 6)
- Leakage may occur when measuring insulation resistance measurement, which is caused by humidity in the air that has been absorbed into the insulation material of the heating elements during transport or storage. The humidity is removed from the elements after heating the element a few times
- Do not connect the power feed of the electric heater using the residual current circuit breaker

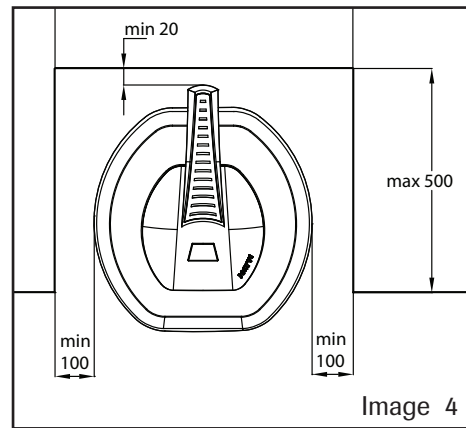


Image 4

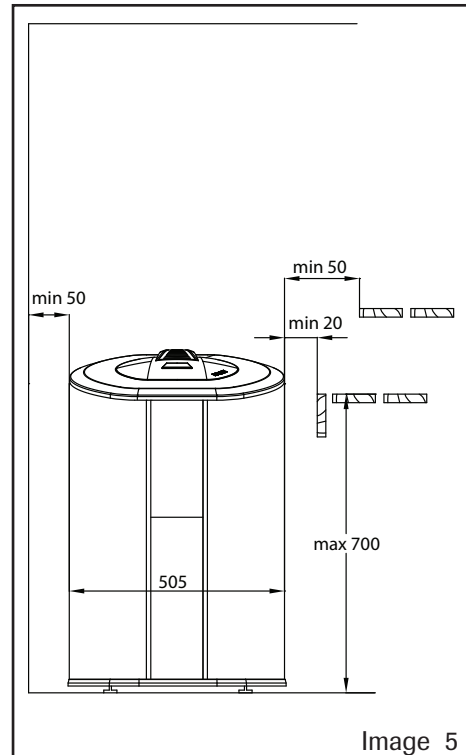


Image 5

15. ELECTRICAL CONNECTIONS

- The electrical connections of the sauna heater can only be done by an authorised professional electrical installer and in accordance with current regulations
- In addition to the power feed, the heater's row connector has an auxiliary slot for external power for controlling the electric heater from the unit
- The electric heating cable is connected directly to the coupling box of the heater. From there, it is connected to the row connector of the heater using a rubber cable with the same diameter as the connection wire (e.g. the suitable cable for a 6 kW heater is 2*1.5 mm H07RN-F)
- The heater is connected semi-permanently to the coupling box located in the sauna. A rubber cable should be used for the connection (e.g. H07RN-F or similar)

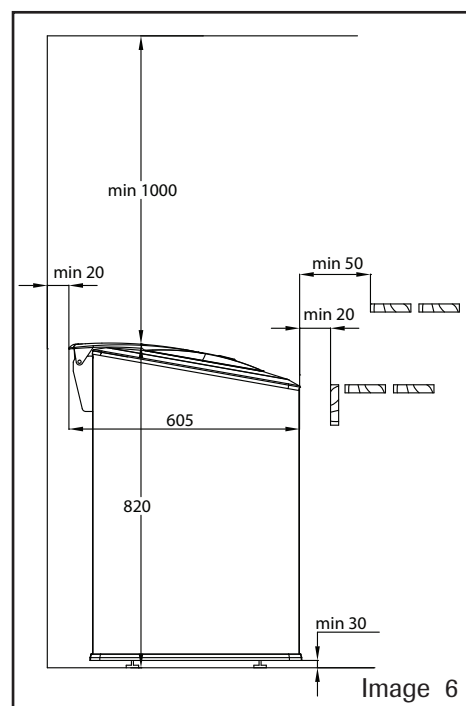


Image 6

- The coupling box must be water resistant and its height from the floor should be a maximum of 50 cm
- More detailed instructions are available from the local electrical authority
- see wiring diagram (image 7)

