

INSTALLATION MANUAL

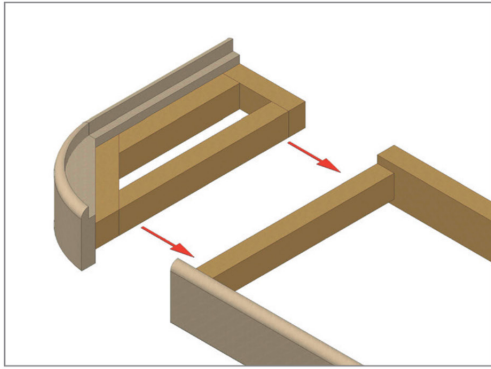


Figure 1

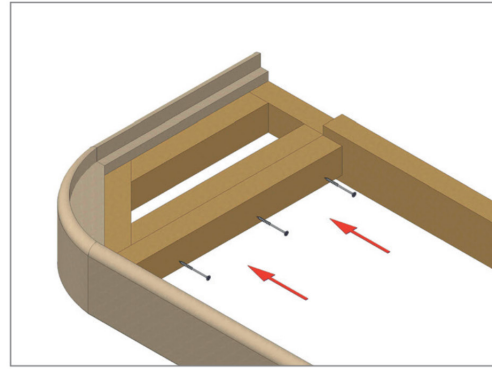


Figure 2

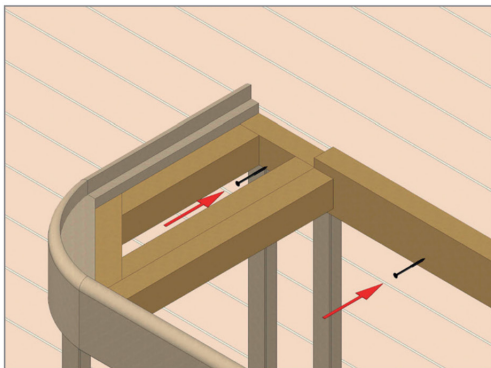


Figure 3

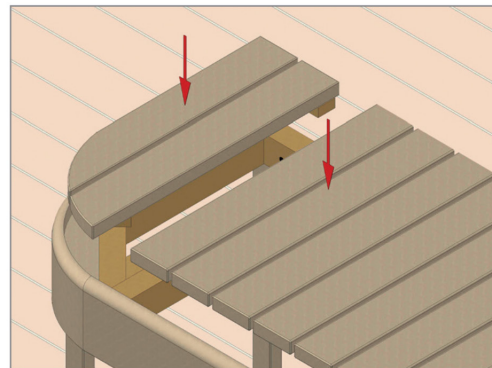


Figure 4

1. If possible, assemble the frames of the sauna bench's end module and the following bench frames on a flat surface, e.g., a floor. At the same time, make sure that the modules' edge boards would fit together accurately. (Figure 1)
2. Use 5x80 mm screws to connect the frames of the end module and the following bench modules. (Figure 2)
3. After that lift the assembled sauna bench frames on supports and fasten these to the walls with screws (5x80 mm). Depending on the wall construction, longer screws may be needed. Make sure to place additional supports under the end module. NB! Supports are not included in the package. (Figure 3)
4. As a last step, lift the bench grids into place. (Figure 4)

Manufacturer is not responsible for the products which are damaged due to the lack of protective treatment.

It is recommended to treat the wooden parts with special sauna liquids to protect the wood from moisture. Treatment liquids are available in well-equipped construction stores.

MAINTENANCE MANUAL FOR SAUNA BENCH

Some useful tips to make your sauna last longer:

- The bench space should be divided so that each person has sitting room of approximately 60 cm (may also be less depending on the size of the room). In this way, it is more comfortable for people and the bench is not overloaded either.
- People should not wear wet swimsuits in the steam room since water dripping out of these significantly damages the sauna bench and its structure. To prolong the nice look of a bench, use mats for sitting. Also, this makes sitting on the hot sauna bench more comfortable.
- Clean the sauna bench at least once a year with a special sauna cleaning agent, for instance Tikkurila SUP! SAUNAPESU. For harder stains that are difficult to remove with a cleaning agent fine sand paper can be used. After cleaning treat the bench again with a bench protection agent, for instance Tikkurila SUP! LAUDESUOJA

When cleaning a sauna, adhere to the following principles:

- Clean the bench with an alkaline cleaning agent. Use a brush or an abrasive washing cloth. Do not forget to clean the bottom side of the bench, edges of the bench boards and the support structure of the bench.
- After this, rinse wooden surfaces with water.
- To make cleaning even more efficient, use abrasive cleaning powders or disinfecting cleaning agents. These will also whiten the wooden surface. When using disinfecting cleaning agents, make sure that water and wood are cool. Before giving the surfaces a thorough rinse, leave the cleaning solution to sit for a while.
- Do not clean sauna walls with a hose applying great pressure because this may damage wall constructions. Changes in the relative humidity level of the sauna air may cause wood to swell or shrink.

Do not forget the following principles:

- The sauna is provided with air exchange fans that must be switched on during sauna and after sauna when the interior is drying.
- The ventilation valve must be open during sauna and after sauna, when the interior is drying.
- The heater should be left switched on for about half an hour after finishing a sauna session.
- If the bench rests are removable, lift them in horizontal position after sauna - this will facilitate drying.
- It is not permitted to dry laundry in the sauna, since moisture emitted from laundry darkens the wooden parts of the sauna. Also, hanging laundry to dry over the heater increases the risk of a fire.

As sauna wooden materials are imposed to high temperatures during heating, its moisture content is reduced and it tends to shrink. As a result, cracks may appear in panelling boards.

Over time, wooden surfaces in the steam room, such as wall panelling, will darken. This is caused by heat emitted by the heater. Also, fine stone dust from heater stones rising up with the air flow may darken the wooden surface near the heater.

The temperature tolerance limit of the steam room walls and ceiling is +135 °C. The highest temperature allowed in the heater room is about +125 °C.

High temperatures reduce the lifespan of wood!